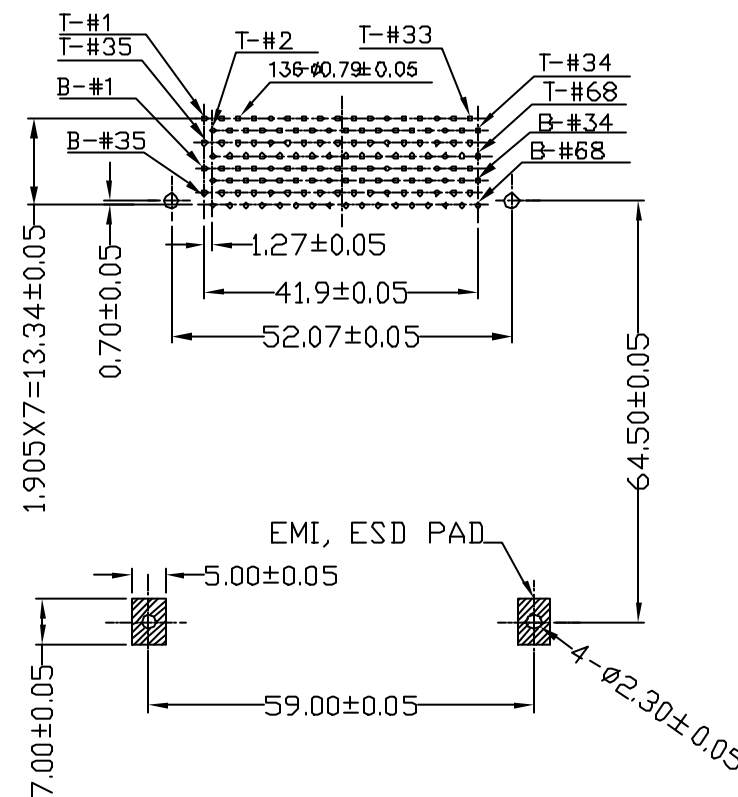
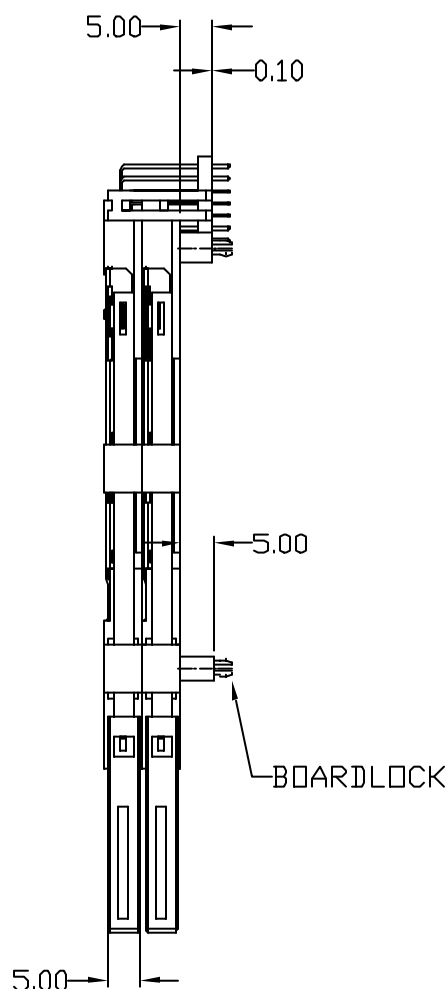
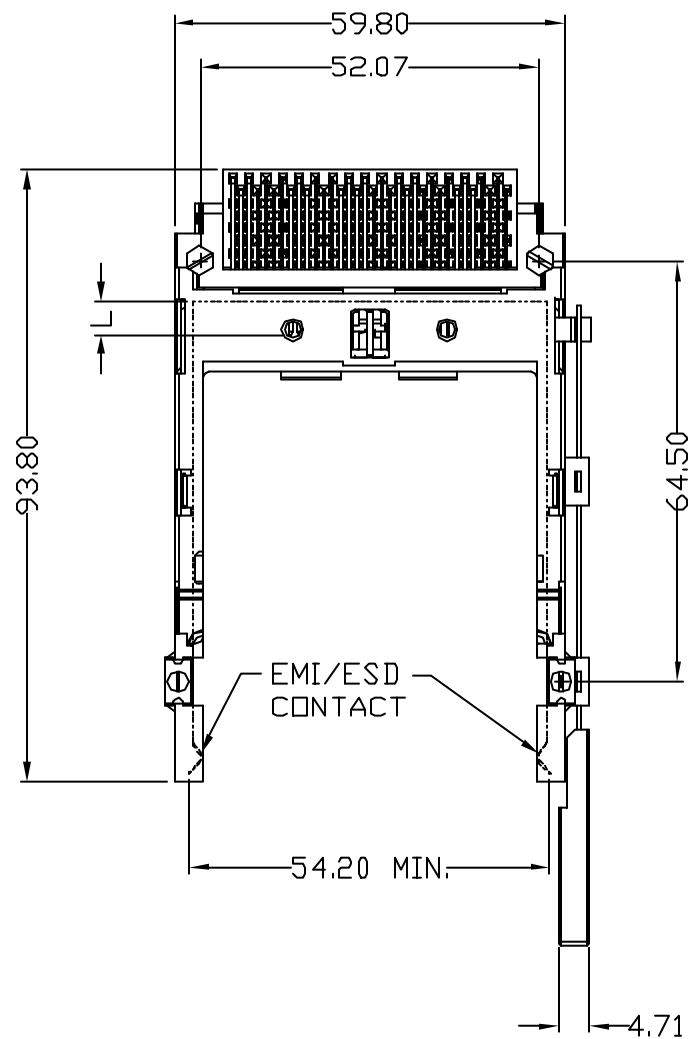


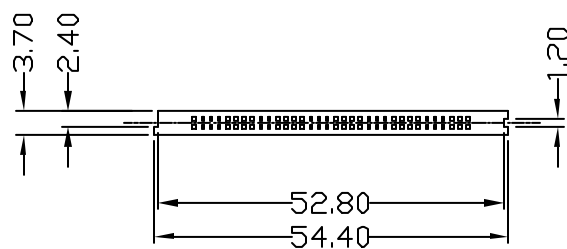
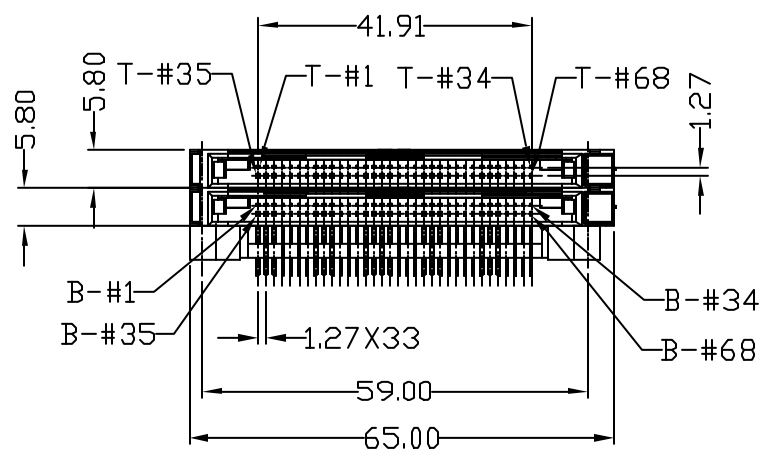
CUSTOMER DRAWING

This document is the property of Amphenol Corporation and is delivered on the express condition that it is not to be disclosed, reproduced or used, in whole or in part, for manufacture or sale by anyone other than Amphenol Corporation without its prior consent, & that no right is granted to disclose or to use any information in this document.

REVISIONS				
SYM	ECN	DESCRIPTION	DATE	APPROVED
A	////	INITIAL RELEASE	10/17/03	IP



RECOMMENDED PCB LAYOUT



INTERFACE SIZE

NOTES:

- INTERPRET DRAWING PER ASME Y14.5M 1994
- MATERIAL:
 HOUSING: G.F. THERMOPLASTIC, UL94V-0, BLACK
 CONTACT: COPPER ALLOY, SELECTIVE GOLD PLATED
 EJECT & PLATE: STAINLESS STEEL

DETECT	3.50	36, 67
GENERAL	4.25	ALL OTHER PINS
POWER	5.00	1,17,34,35,51,68
PIN TYPE	DIM. L	PIN NO.

UNLESS OTHERWISE SPECIFIED TOLERANCES	APPROVAL	DATE	Amphenol
	DRAWN YH.HOU	10/17/03	
X +/- 0.25 XX +/- 0.15 XXX +/- 0.05	CHECKED YH.HOU	10/17/03	TITLE PCMCIA STACKED HEADER BOARDLOCK 5.0 STANDOFF
	CHECKED		
FOR MATERIALS AND FINISHES SEE NOTES	DRAWING FILE :	SIZE DRAWING NO. REV.	
REMOVE SHARP EDGES	\DRAWING\PCMCIA\2250BRL.DWG		A4 AHKA-2250-BRL A
DIMENSIONS	ANGLE OF PROJECTION		SCALE NONE SHEET 1 OF 1
U.S. INCHES (METRIC) (MM)			