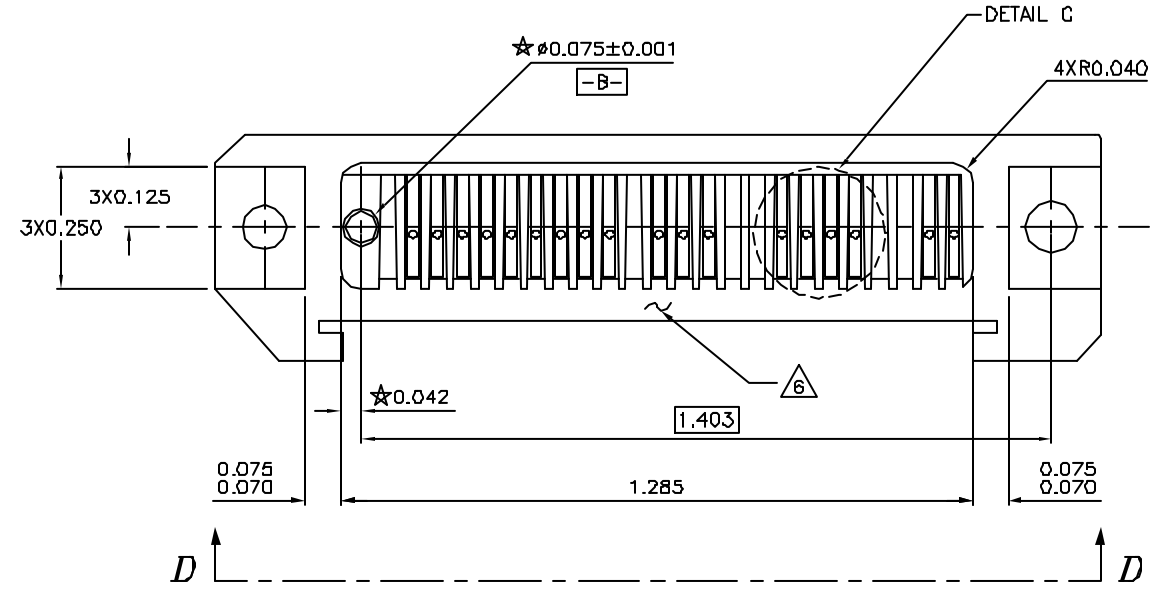
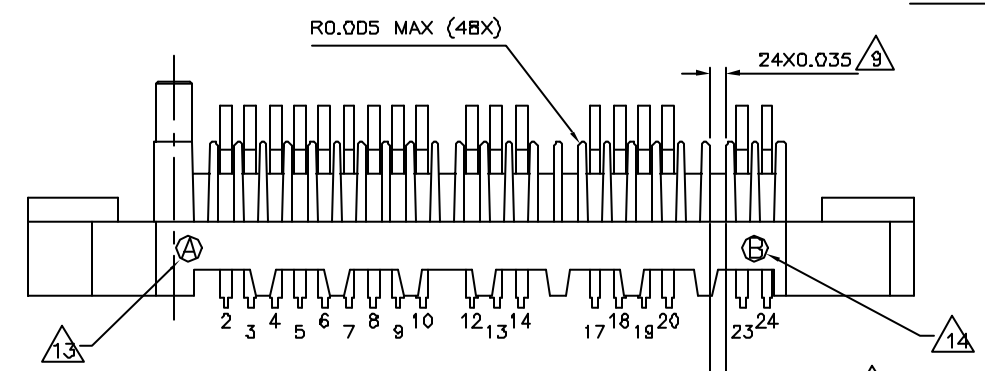
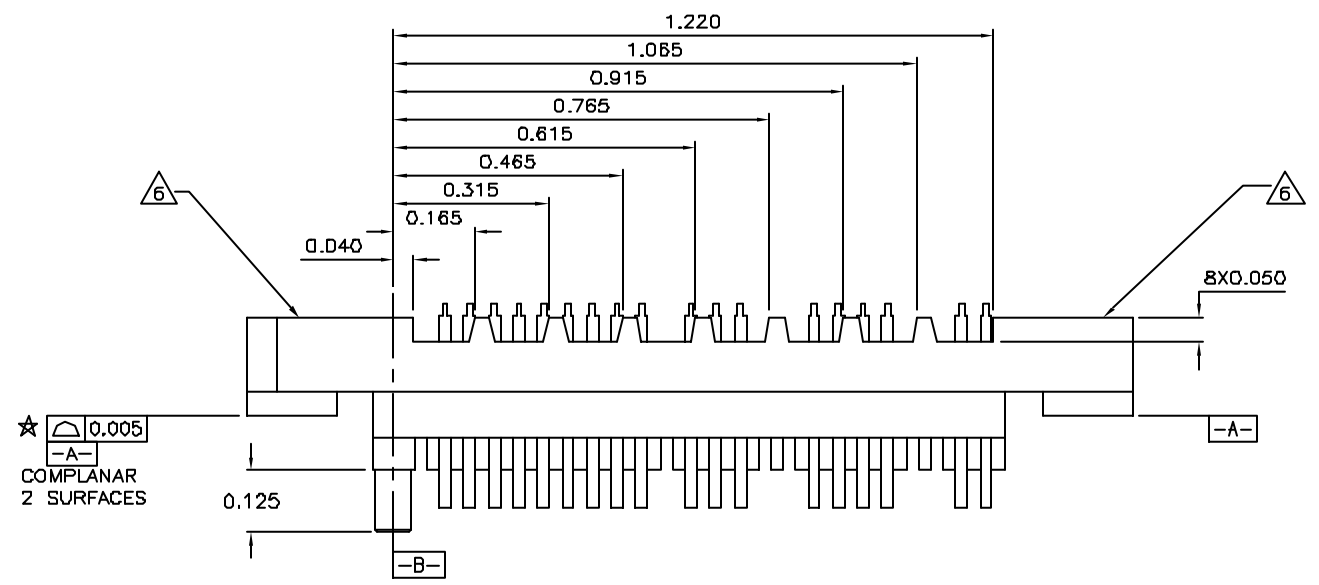
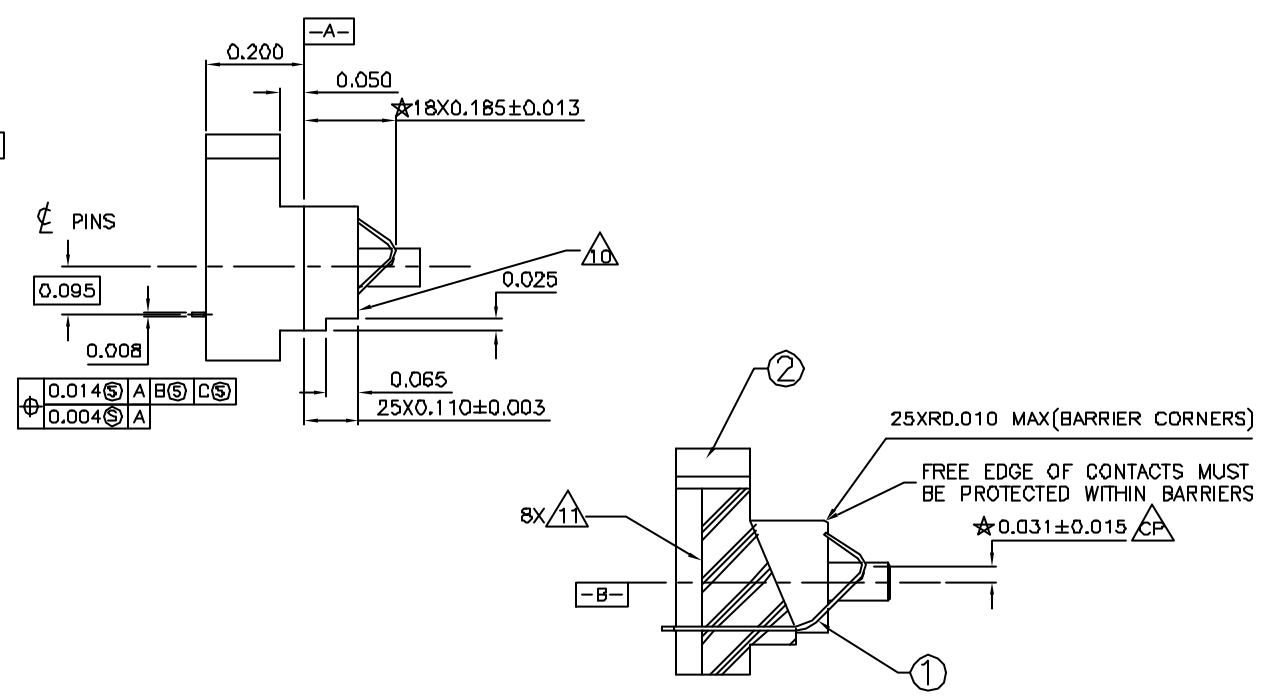
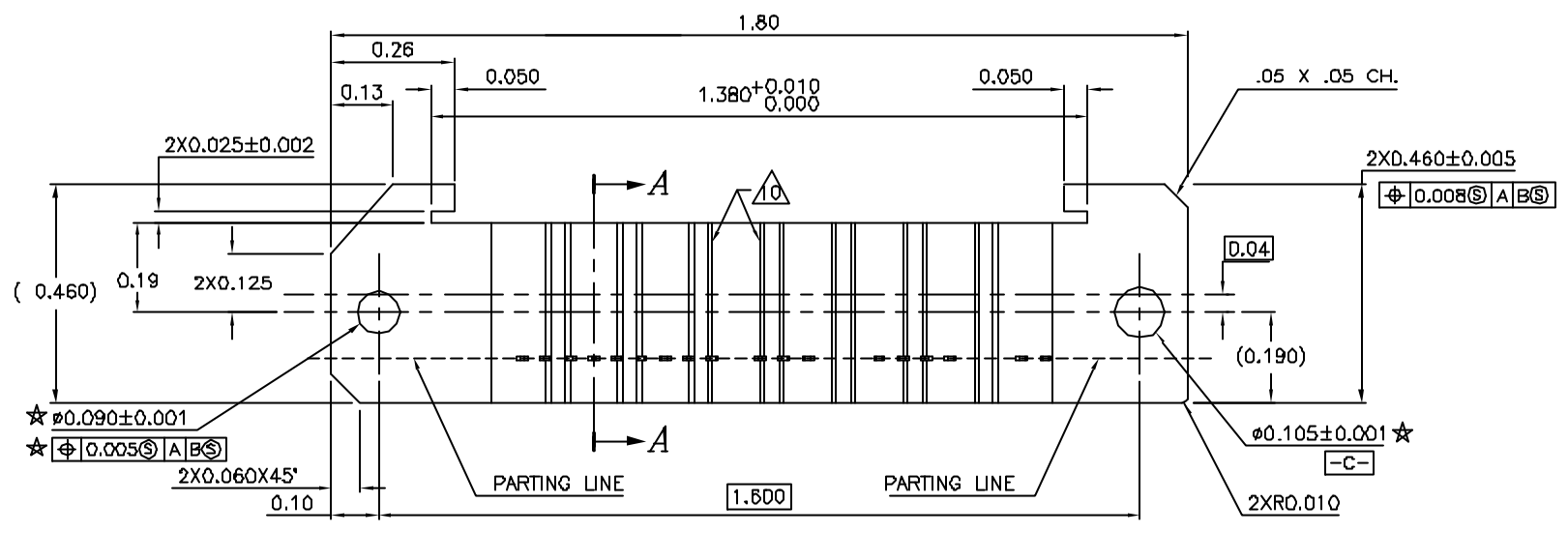


This document is the property of Amphenol Corporation and is delivered on the express condition that it is not to be disclosed, reproduced or used, in whole or in part, for manufacture or sale by anyone other than Amphenol Corporation without its prior consent, & that no right is granted to disclose or to use any information in this document.

# CUSTOMER DRAWING

REVISIONS				
SYM	ECN	DESCRIPTION	DATE	APPROVED
A	HK1919	RELEASE TO PRODUCTION	2/14/01	Raymond
B	HK2104	ADD BASIC DIM "1.403/1.600"; DEL "0.197"	11/19/01	Raymond



**VIEW D-D**  
DIMENSIONED FEATURE SHOWN EXAGGERATED FOR CLARITY

ITEM NO	PART OR IDENTIFICATION NO	NOMENCLATURE OR DESCRIPTION	QTY REQ'D
2	-	INSTULATOR	1
1	-	CONTACT	18

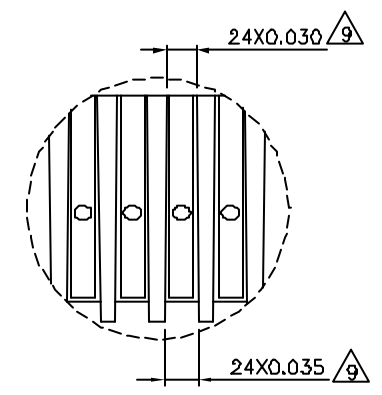
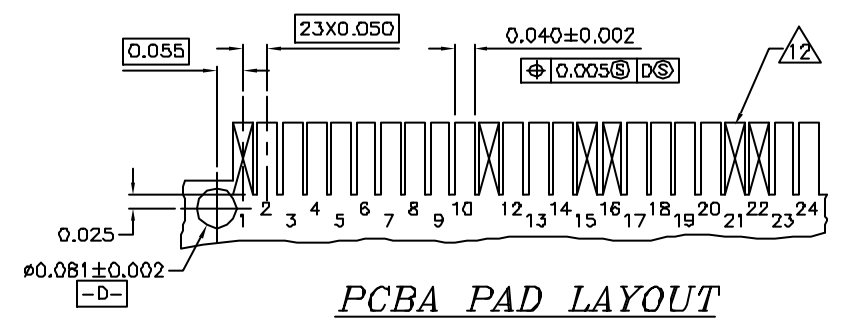
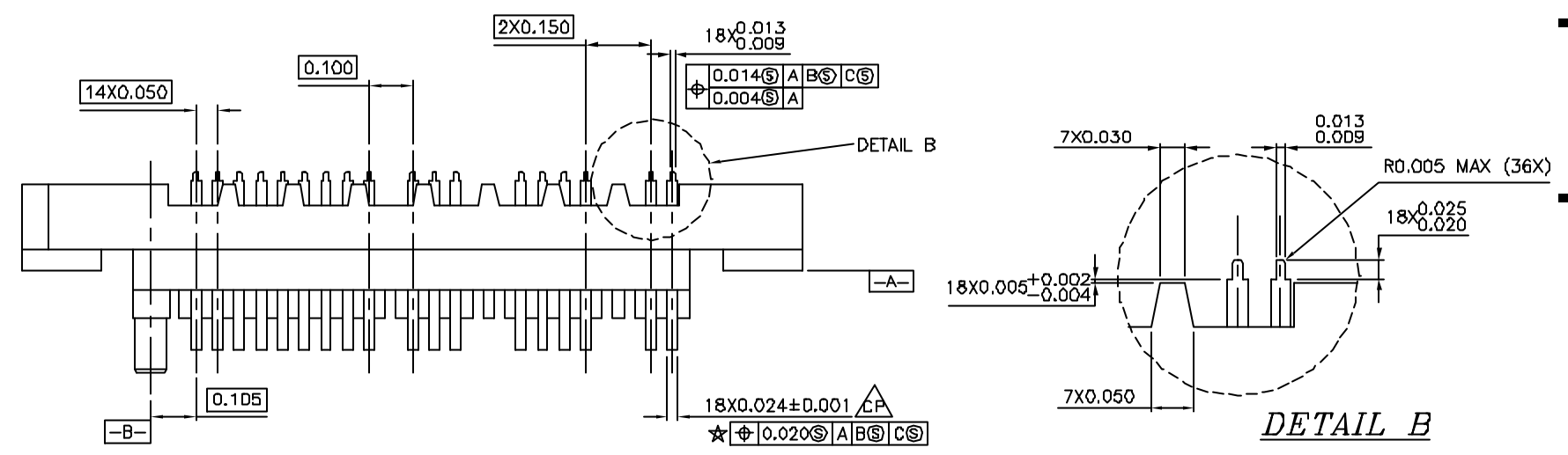
UNLESS OTHERWISE SPECIFIED TOLERANCES		APPROVAL		DATE
U.S.	METRIC	DRAWN	HOU	11/19/01
X +/- 0.02		CHECKED	Raymond	11/19/01
JX +/- 0.01		CHECKED		
XX +/- 0.005				
FRACTIONS +/-				
ANGLES +/-	5°			
FOR MATERIALS AND FINISHES SEE NOTES		DRAWING FILE : \DRAWING\CC07\C9999007.DWG		
REMOVE SHARP EDGES		ANGLE OF PROJECTION		
DIMENSIONS				
U.S.	INCHES			
METRIC	MM			

<p><b>Amphenol</b></p> <p>Amphenol East Asia Limited Manufacturing Operation</p>		
<p>TITLE</p> <p><b>CONNECTOR, FPC 18 PIN, HOLE MT</b></p>		
SIZE	DRAWING NO.	REV.
A3	CC007-9999-007	B
SCALE	NONE	SHEET 1 OF 2

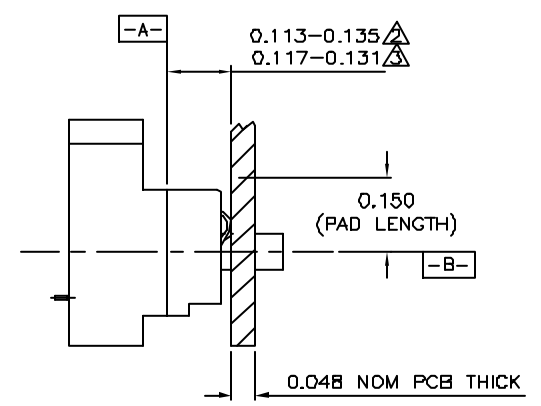
This document is the property of Amphenol Corporation and is delivered on the express condition that it is not to be disclosed, reproduced or used, in whole or in part, for manufacture or sale by anyone other than Amphenol Corporation without its prior consent, & that no right is granted to disclose or to use any information in this document.

# CUSTOMER DRAWING

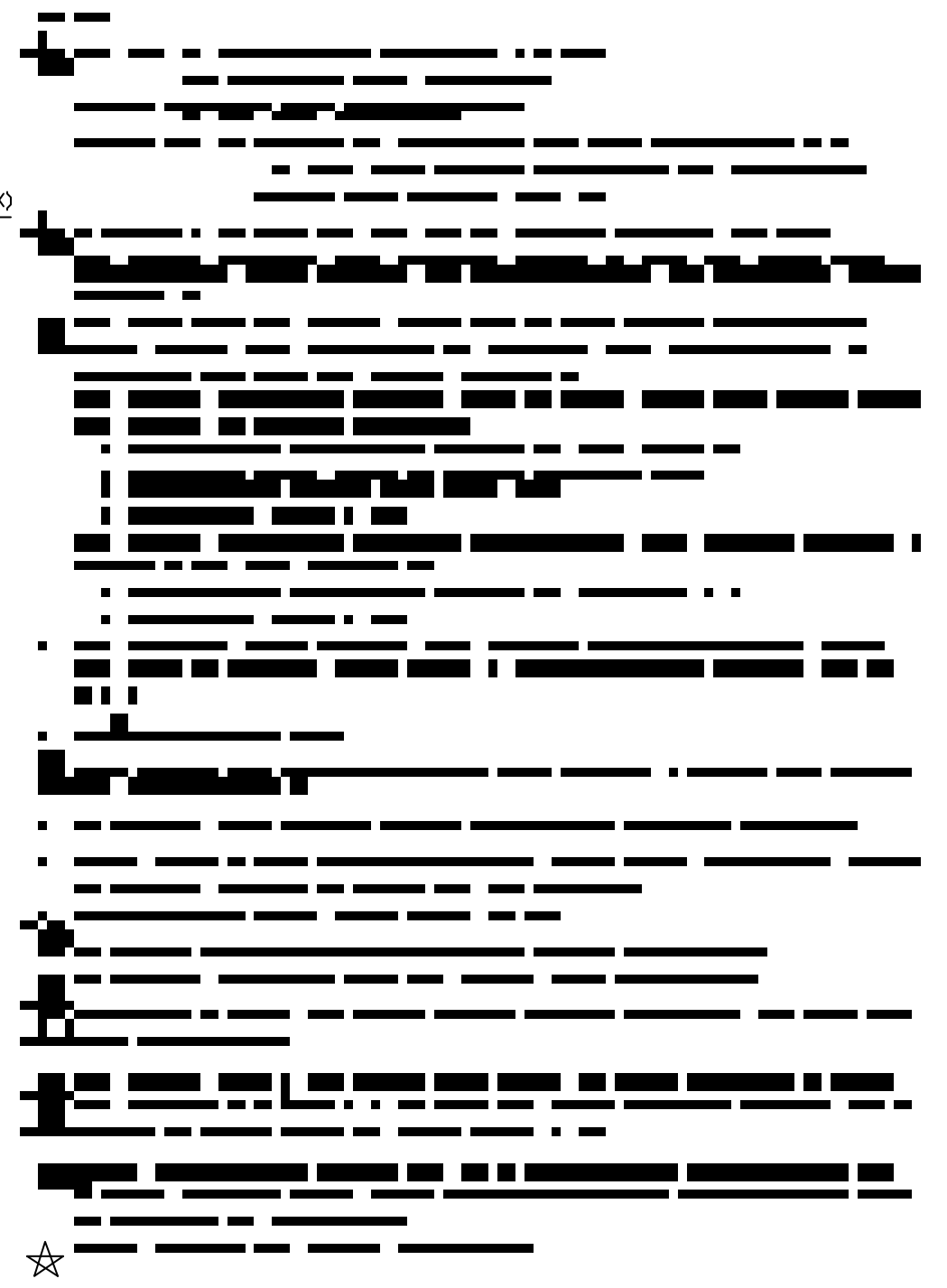
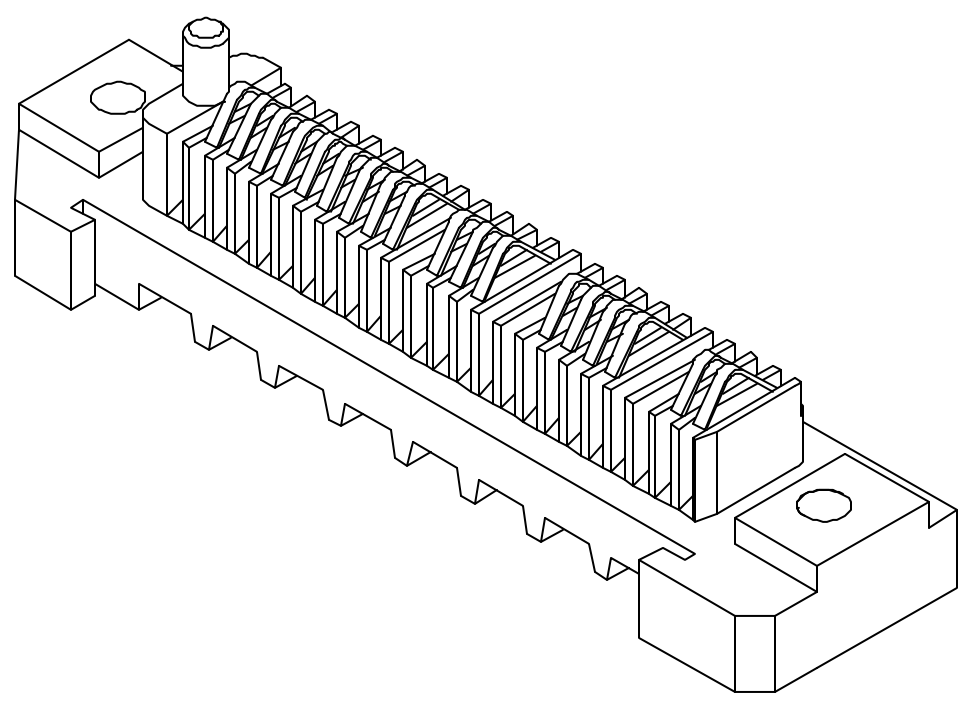
REVISIONS				
SYM	ECN	DESCRIPTION	DATE	APPROVED
		REFER TO THE SHEET 1		



DIMENSIONS APPLY TO BARRIERS



CONE POINT TO PCBA PAD



ITEM NO	PART OR IDENTIFICATION NO	NOMENCLATURE OR DESCRIPTION	QTY REQ'D
PARTS LIST			
UNLESS OTHERWISE SPECIFIED TOLERANCES		APPROVAL	DATE
	U.S. METRIC	DRAWN HOU	11/19/01
X +/- 0.02		CHECKED Raymond	11/19/01
JX +/- 0.01		CHECKED	
KX +/- 0.005			
FRACTIONS +/-			
ANGLES +/- 5°			
FOR MATERIALS AND FINISHES SEE NOTES		DRAWING FILE : \DRAWING\CO07\C9999007.DWG	
REMOVE SHARP EDGES		ANGLE OF PROJECTION	
DIMENSIONS			
U.S.	INCHES		
METRIC	MM		
		TITLE	
		Amphenol	
		Amphenol East Asia Limited Manufacturing Operation	
		CONNECTOR, FPC 18 PIN, HOLE MT	
SIZE	DRAWING NO.	REV.	
A3	CC007-9999-007	B	
SCALE	NONE	SHEET 2 OF 2	