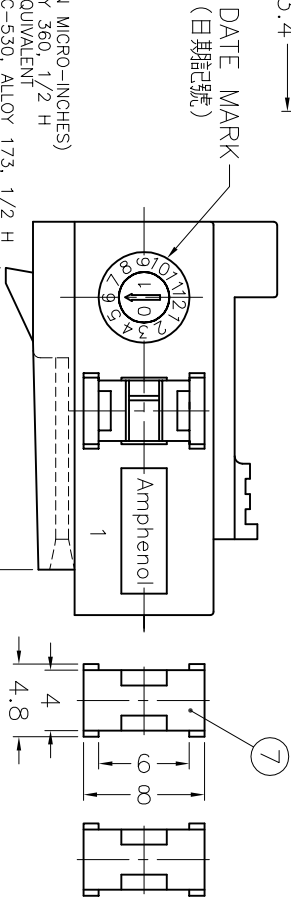
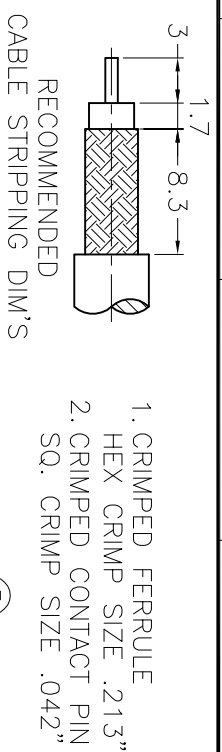
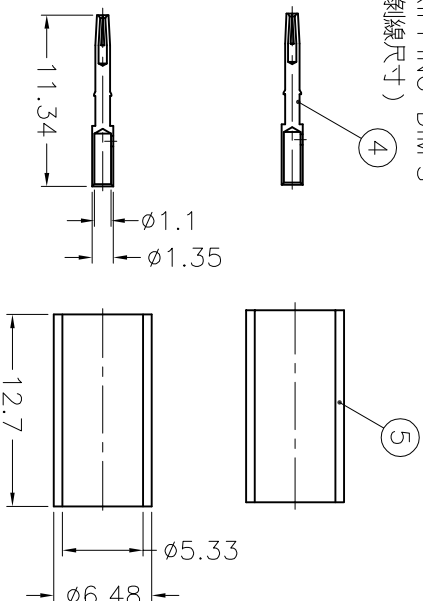
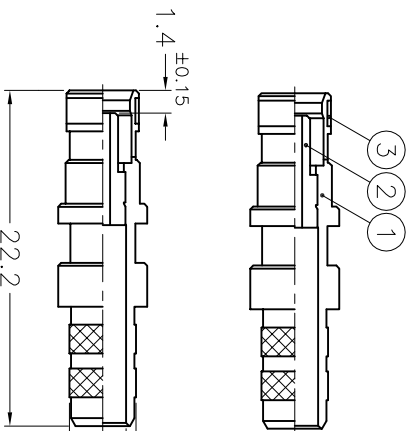
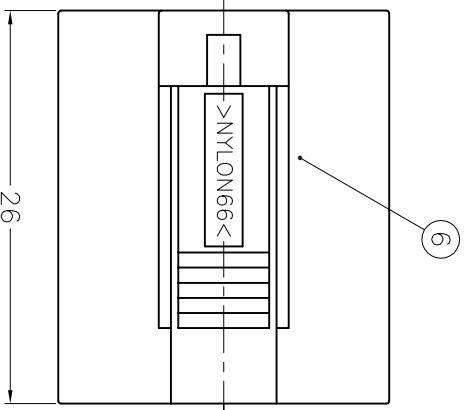
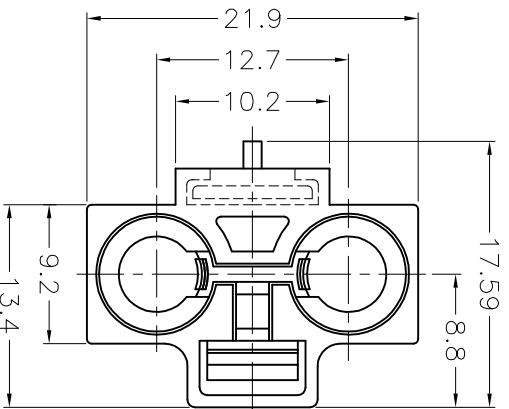


REVISIONS	
ISS	DESCRIPTION PER REQUEST\DATE
E	B-8 WAS CHANGED\RD-DW91091701L\11-12-02'
F	B-8 WAS CHANGED\RD-DW92031101L\03-11-03'
G	B-8 WAS CHANGED\RD-DW92032701L\03-27-03'



NOTES: FINISH (PLATING THICKNESS IN MICRO-INCHES)
 1. BRASS PER QQ-B-626, ALLOY 360, 1/2 H
 ; JIS H5250 C 3604BD OR EQUIVALENT
 2. BERYLLIUM COPPER PER QQ-C-530, ALLOY 173, 1/2 H
 ; FUJII FX301 OR EQUIVALENT
 3. NICKEL PL., 60 MIN. THICK OVER COPPER STRIKE
 4. GOLD PL., 30 MIN. THICK OVER NICKEL PL., 100 MIN. THICK
 OVER COPPER STRIKE
 5. TEFLON MIL-P-19468 OR EQUIVALENT
 6. COPPER PER ASTM B-75 ALLOY C12200 OR EQUIVALENT
 7. NYLON66(WITH 33% GLASS FIBER) PER NYTEX COMPOSITES CO., LTD.
 8. GRADE MG-0033N-V0 OR EQUIVALENT
 OR (WITH 15% GLASS FIBER) PER CHANG CHUN GRADE 4115202
 OR EQUIVALENT

DIMENSIONS ARE IN MILLIMETERS
 UNLESS OTHERWISE SPECIFIED
 TOLERANCES
 0.5-6 = ±0.2
 6-30 = ±0.4
 30-120 = ±0.6
 120-315 = ±1
 315-1000 = ±1.6
 1000-2000 = ±2.4

PART NO. FA2-NXSJ-C04-6
 APPROVED DATE 03-27-03'
 CHECKED DATE 03-27-03'
 DRAWN DATE 03-27-03'

Amphenol
 Danbury, CT, USA - Taichung, Taiwan - Shenzhen, China

KEY CODING	PART NO.	DRAWING NO.	ITEM NO.	LOCK COVER
A	FA2-NASJ-C04-6	FKT6121AW-010-NT30G-50	FK7121AB57NC5F	FKLC20701B
B	FA2-NBSJ-C04-6	FKT6121BW-010-NT30G-50	FK7121AB857NC5F	FKLC20702B
C	FA2-NCSJ-C04-6	FKT6121CW-010-NT30G-50	FK7121AB57NC5F	FKLC20703B
D	FA2-NDSJ-C04-6	FKT6121DW-010-NT30G-50	FK7121ABD57NC5F	FKLC20704B
E	FA2-NESJ-C04-6	FKT6121EW-010-NT30G-50	FK7121ABE57NC5F	FKLC20705B
F	FA2-NFSJ-C04-6	FKT6121FW-010-NT30G-50	FK7121ABF57NC5F	FKLC20706B
G	FA2-NGSJ-C04-6	FKT6121GW-010-NT30G-50	FK7121ABG57NC5F	FKLC20707B
H	FA2-NHSJ-C04-6	FKT6121HW-010-NT30G-50	FK7121ABH57NC5F	FKLC20708B
I	FA2-NISJ-C04-6	FKT6121IW-010-NT30G-50	FK7121ABI57NC5F	FKLC20709B
K	FA2-NKSJ-C04-6	FKT6121KW-010-NT30G-50	FK7121ABK57NC5F	FKLC20710B
Z	FA2-NZSJ-C04-6	FKT6121ZW-010-NT30G-50	FK7121ABZ57NC5F	FKLC20711B

TABLE

NO.	DESCRIPTION	MATERIAL	FINISH	Q'TY	DRAWING NO.	SCALE	2/1	ISSUE	G	FILE NO.	F:\DWG\FKT\6121XX\010\50\NT30G-G
7	LOCK COVER	NOTE 8	NATURAL	2	FKLC00001A						
6	LOCK COVER	NOTE 7		1	SEE TABLE						
5	FERRULE	NOTE 6	NOTE 3	2	FKFR00201A						
4	CONTACT PIN	NOTE 2	NOTE 4	2	FKCP00401A						
3	RETAINER RING	NOTE 2	NATURAL	2	FKRR00101A						
2	INSULATOR	NOTE 5	NATURAL	2	FKNS00501A						
1	BODY	NOTE 1	NOTE 3	2	FKBD00501A						

1 2 3 4 5 6 7 8