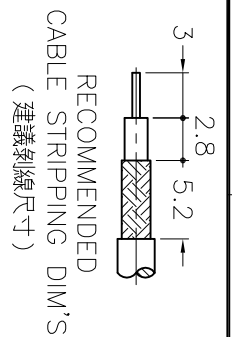
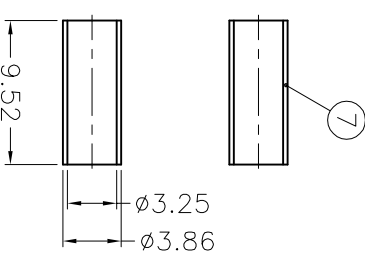
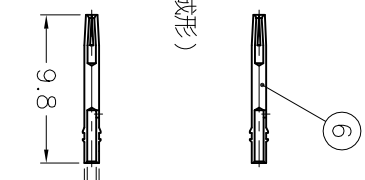
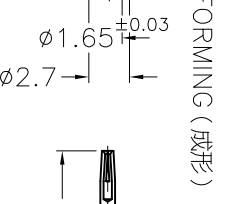
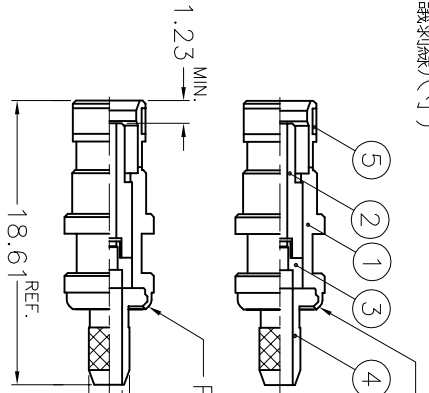
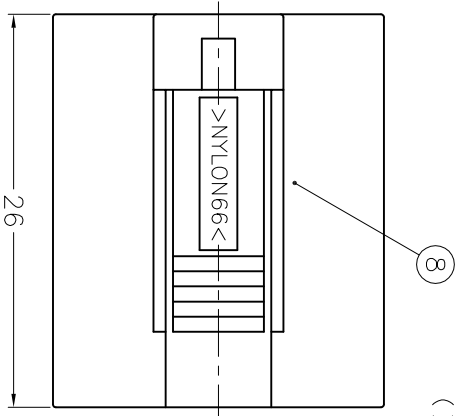
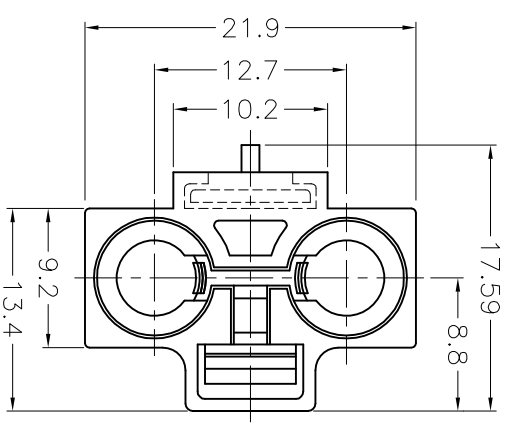


ISS	ZONE	DESCRIPTION\PER REQUEST\DATE
E	B-8	NO.8 WAS CHANGED\RD-DW91091701L\11-12-02'
F	B-8	NO.8 WAS CHANGED\RD-DW92031101L\03-11-03'
G	B-8	NO.8 WAS CHANGED\RD-DW92032701L\03-27-03'

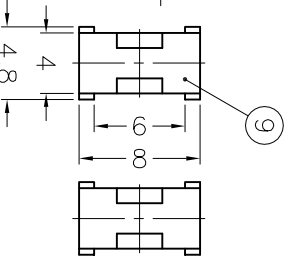
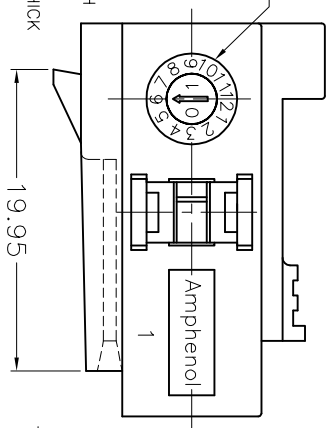
REVISIONS



1. CRIMPED FERRULE HEX CRIMP SIZE .128"
2. CRIMPED CONTACT PIN AFW8 ADJUST TO 4 POSITIONER K727



DATE MARK (日期記號)



NOTES: FINISH (PLATING THICKNESS IN MICRO-INCHES)

1. BRASS PER QQ-B-626, ALLOY 360, 1/2 H
2. BERYLLIUM COPPER PER QQ-C-530, ALLOY 173, 1/2 H
3. NICKEL P.L. 60 MIN. THICK OVER COPPER STRIKE OVER COPPER STRIKE
4. GOLD P.L. 30 MIN. THICK OVER NICKEL P.L. 100 MIN. THICK OVER COPPER STRIKE
5. TEFLON MIL-P-19468 OR EQUIVALENT
6. COPPER PER ASTM B-75 ALLOY C12200 OR EQUIVALENT
7. NYLON66(WITH 33% GLASS FIBER) PER NYTEX COMPOSITES CO., LTD.
8. PBT(WITH 15% GLASS FIBER) PER CHANG CHUN GRADE 4115202 OR EQUIVALENT

NO.	DESCRIPTION	MATERIAL	FINISH	Q'TY	DRAWING NO.
9	LOCK COVER	NOTE 8	NATURAL	2	FKLC00001A
8	FERRULE	NOTE 7	SEE TABLE	1	
7	FERRULE	NOTE 6	NOTE 3	2	FKFR00101A
6	CONTACT PIN	NOTE 2	NOTE 4	2	FKCP00201A
5	RETAINER RING	NOTE 2	NATURAL	2	FKRR00101A
4	BARREL	NOTE 1	NOTE 3	2	FKBR00101B
3	INSULATOR	NOTE 5	NATURAL	2	FKNS00201A
2	INSULATOR	NOTE 5	NATURAL	2	FKNS00301A
1	BODY	NOTE 1	NOTE 3	2	FKBD00301A

DIMENSIONS ARE IN MILLIMETERS UNLESS OTHERWISE SPECIFIED TOLERANCES

0.5-6 = ±0.2
6-30 = ±0.4
30-120 = ±0.6
120-315 = ±1
315-1000 = ±1.6
1000-2000 = ±2.4

PART NO. FA2-NXSJ-C01-6

APPROVED DATE 03-27-03'

CHECKED DATE 03-27-03'

DRAWN DATE 03-27-03'

TABLE

KEY CODING	PART NO.	DRAWING NO.	ITEM NO.	LOCK COVER
A	FA2-NASJ-C01-6	FKT6121AW-005-NT30G-50	FK7121AC36NC5F	FKLC20701B
B	FA2-NBSJ-C01-6	FKT6121BW-005-NT30G-50	FK7121ACB36NC5F	FKLC20702B
C	FA2-NGSJ-C01-6	FKT6121CW-005-NT30G-50	FK7121ACG36NC5F	FKLC20703B
D	FA2-ND SJ-C01-6	FKT6121DW-005-NT30G-50	FK7121ACD36NC5F	FKLC20704B
E	FA2-NE SJ-C01-6	FKT6121EW-005-NT30G-50	FK7121ACE36NC5F	FKLC20705B
F	FA2-NFSJ-C01-6	FKT6121FW-005-NT30G-50	FK7121ACF36NC5F	FKLC20706B
G	FA2-NGSJ-C01-6	FKT6121GW-005-NT30G-50	FK7121ACG36NC5F	FKLC20707B
H	FA2-NHSJ-C01-6	FKT6121HW-005-NT30G-50	FK7121ACH36NC5F	FKLC20708B
I	FA2-NISJ-C01-6	FKT6121IW-005-NT30G-50	FK7121ACI36NC5F	FKLC20709B
K	FA2-NKSJ-C01-6	FKT6121KW-005-NT30G-50	FK7121ACK36NC5F	FKLC20710B
Z	FA2-NZSJ-C01-6	FKT6121ZW-005-NT30G-50	FK7121ACZ36NC5F	FKLC20711B

Amphenol

Danbury, CT, USA - Taichung, Taiwan - Shenzhen, China

TITLE  
FAKRA TWIN SMB CRIMP JACK W/180° DELPHI CLIP  
(FOR RG-174/U, 188A/U, 316/U CABLE)

DRAWING NO. FKT6121XX-005-NT30G-50

ITEM NO. FK7121ACX36NC5F