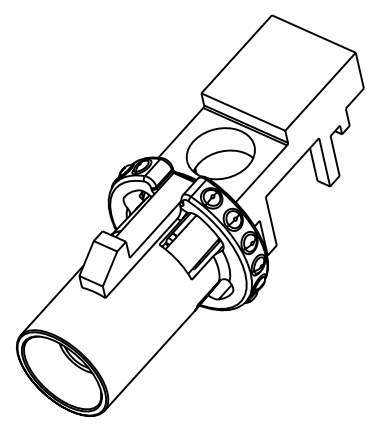
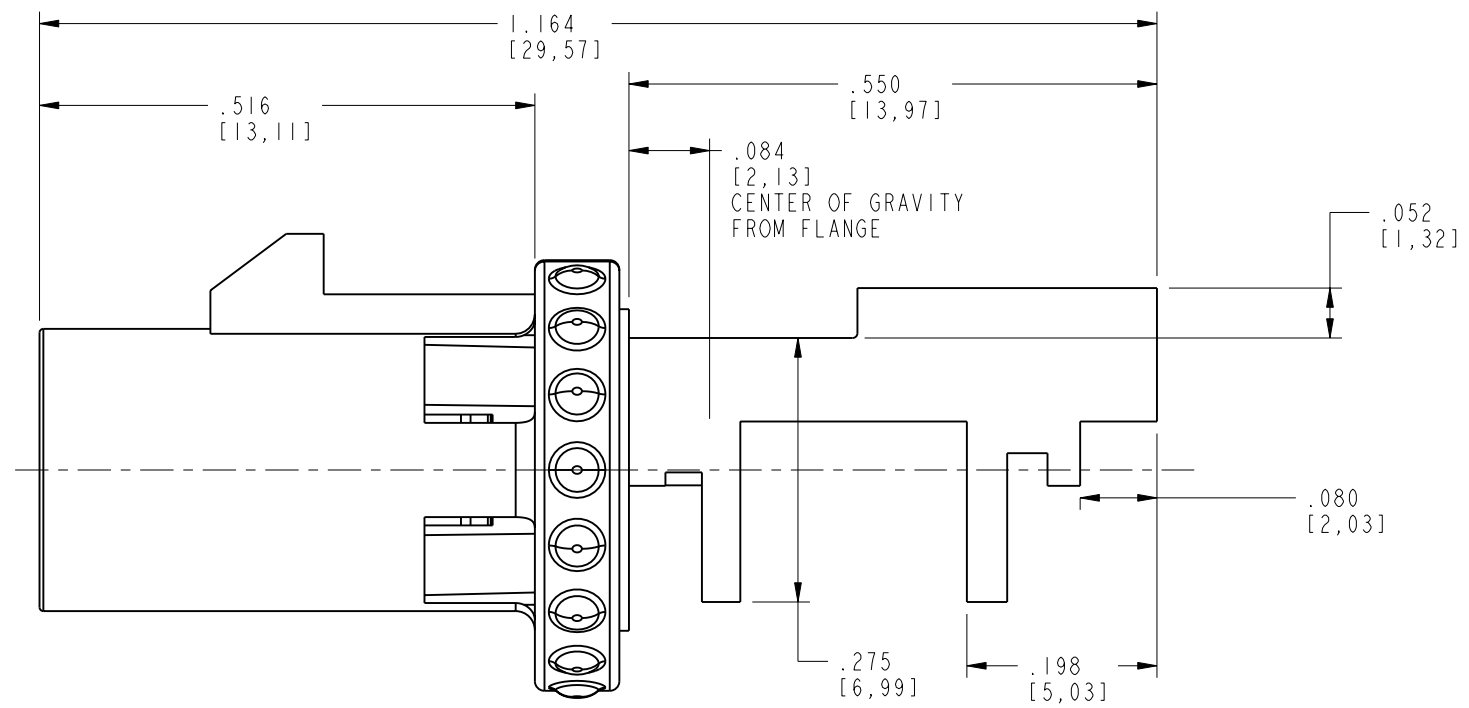


NOTES:

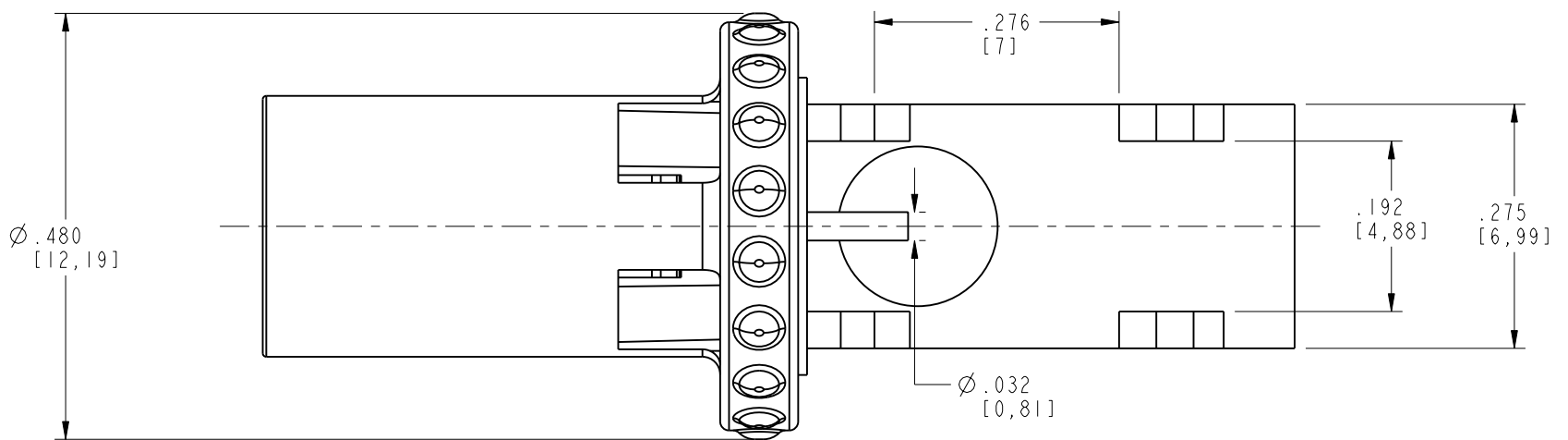
1. MATERIALS AND FINISHES:
 BODY - ZINC, NICKEL PLATING (.000200 THICK MIN)
 CONTACT - BRASS, GOLD PLATING (.000030 THICK MIN)
 INSULATOR - PTFE
 FAKRA HOUSING - NYLON 6/6
2. ELECTRICAL:
 A. IMPEDANCE: 50 OHM
 B. FREQUENCY RANGE: DC - 6 GHz
 C. VSWR(RETURN LOSS): 1.2 (21 dB), MAX.
 D. DIELECTRIC WITHSTANDING VOLTAGE: 750 VRMS, MIN.
3. MECHANICAL:
 A. DURABILITY: 100 CYCLES MIN.
 B. TEMPERATURE RANGE: -65° C TO 165° C
4. PACKAGING:
 A. QUANTITY: TAPE AND REEL
 B. MARKING: REEL TO BE MARKED
 AMPHENOL, FAI-NXSP-PCB-X, AND DATE CODE

FAI-NXSP-PCB-X		REVISIONS			
DRAWING NO.	REV	DESCRIPTION	DATE	ECO	APPR
THIRD ANGLE PROJ.	01	PROTOTYPE RELEASE	2/25/03	----	KJC

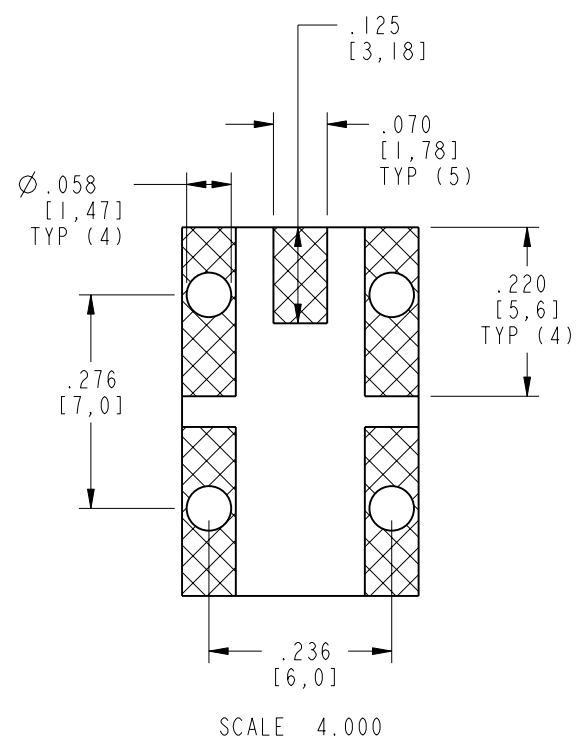


SCALE 2.000

PRELIMINARY ISSUE



RECOMMENDED PCB LAYOUT



SCALE 4.000

RESERVED PART NUMBERS

AMPHENOL RF PART NUMBER	CODING	COLOR
FAI-NASP-PCB-X	A	DEEP BLACK
FAI-NBSP-PCB-X	B	SIGNAL WHITE
FAI-NCSP-PCB-X	C	SIGNAL BLUE
FAI-NDSP-PCB-X	D	BORDEAUX VIOLET
FAI-NESP-PCB-X	E	LEAF GREEN
FAI-NFSP-PCB-X	F	BROWN
FAI-NGSP-PCB-X	G	BLUE GREY
FAI-NHSP-PCB-X	H	VIOLET
FAI-NISP-PCB-X	I	BEIGE
FAI-NKSP-PCB-X	K	CURRY YELLOW
FAI-NZSP-PCB-X	Z	WATER BLUE

CUSTOMER OUTLINE DRAWING

ALL OTHER SHEETS ARE FOR INTERNAL USE ONLY

UNLESS OTHERWISE SPECIFIED, DIMENSIONS ARE IN INCHES AND TOLERANCES ARE: 2 PLACE DECIMAL ±.015 (0,381 mm) 3 PLACE DECIMAL ±.005 (0,127 mm) ANGLES ± 1°	MATERIAL	DRAWN K. CAPOZZI	DATE 03-Feb-03	TITLE FAKRA TO PCB		Amphenol Amphenol Corporation Communication and Network Products Division Danbury, CT U.S.A. 06810
	REFERENCE ASSYM5_FAKRA 615X-1889-100 EAR #815	ENGINEER K. CAPOZZI	DATE 03-Feb-03			
NOTICE - These drawings, specifications, or other data (1) are, and remain the property of Amphenol Corp. (2) must be returned upon request; and (3) are confidential and not to be disclosed to any person other than those to whom they are given by Amphenol Corp. The furnishing of these drawings, specifications, or other data by Amphenol Corp., or to any other person to anyone for any purpose is not to be regarded by implication or otherwise in any manner licensing, granting rights or permitting such holder or any other person to manufacture, use or sell any product, process or design, patented or otherwise, that may in any way be related to or disclosed by said drawings, specifications, or other data.		CAD FILE I:\FAKRA\FAI-NXSP-PCB-X	CODE ID 74868	DWG SIZE B	DRAWING NO. FAI-NXSP-PCB-X	REV 01
						SCALE: 5.0:1