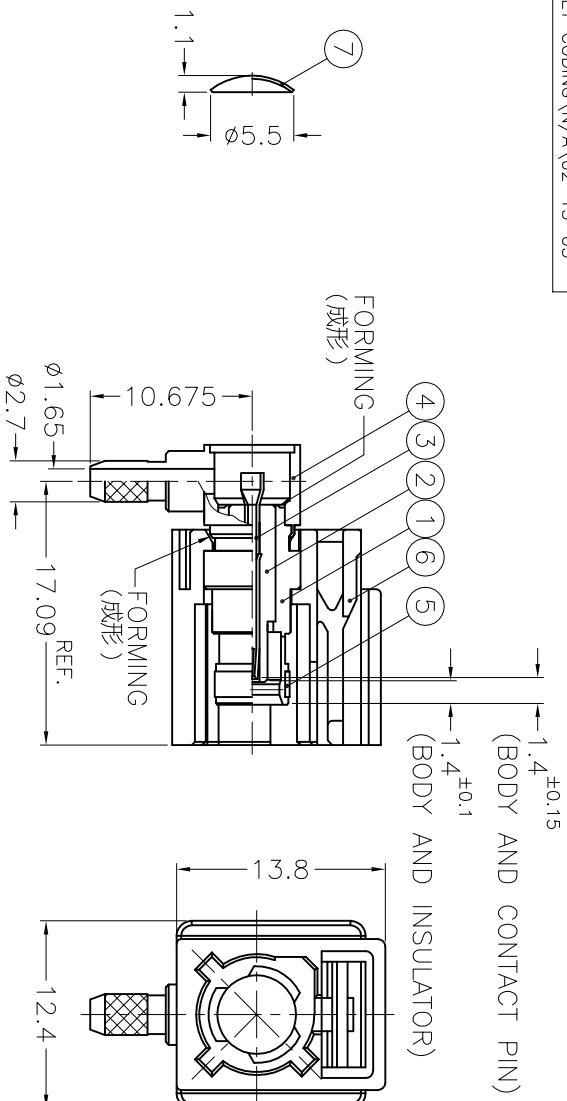


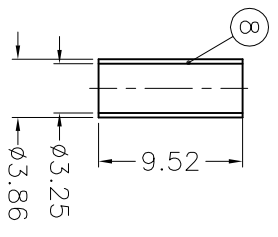
REVISIONS	
ISS	DESCRIPTION\PER REQUEST\DATE
A1	B-6 CANCELLED L AND M KEY CODING\N/A\02-13-03'



2.5 → +3.5 → 5.2 →
 RECOMMENDED
 CABLE STRIPPING DIM'S
 (建議剝線尺寸)
 1. CRIMPED FERRULE
 HEX CRIMP SIZE .128"
 2. CONTACT PIN TO SOLDER

NOTES: FINISH (PLATING THICKNESS IN MICRO-INCHES)

1. BRASS PER QQ-B-626, ALLOY 360, 1/2 H ; JIS H5250 C 3604BD OR EQUIVALENT
2. BERYLLIUM COPPER JIS C1720R-1/4H ; ASTM B-194 OR EQUIVALENT
3. NICKEL PL. 60 MIN. THICK OVER COPPER STRIKE OVER COPPER STRIKE
4. COLD PL. 30 MIN. THICK OVER NICKEL PL. 100 MIN. THICK OVER COPPER STRIKE
5. TEFLON MIL-P-19468 ; ASTM D-1710 OR EQUIVALENT
6. COPPER PER ASTM B-75 ALLOY C12200 OR EQUIVALENT
7. NLOY66(WITH 23% GLASS FIBER) PER NYTEX COMPOSITES CO., LTD.
8. GRADE MG-2023N-V0 OR EQUIVALENT
9. BRASS PER QQ-B-613, ALLOY 260, H ; JIS H3100 C 2680R-H OR EQUIVALENT
10. ZINC DIECAST PER JIS H5301 ZDC2 OR EQUIVALENT
11. NICKEL PL. 100 MIN. THICK OVER COPPER PL. 300 MIN. THICK



TABLE

KEY CODING	PART NO.	DRAWING NO.	ITEM NO.	LOCK COVER
A	FA1-NARJ-C01-3	FK6112AW-037-NT30G-50	FK6112ADZ36NC5F	FKLC30601A
B	FA1-NBRJ-C01-3	FK6112BW-037-NT30G-50	FK6112ADB36NC5F	FKLC30602A
C	FA1-NCRJ-C01-3	FK6112CW-037-NT30G-50	FK6112ADC36NC5F	FKLC30603A
D	FA1-NDRJ-C01-3	FK6112DW-037-NT30G-50	FK6112ADD36NC5F	FKLC30604A
E	FA1-NERJ-C01-3	FK6112EW-037-NT30G-50	FK6112ADE36NC5F	FKLC30605A
F	FA1-NFRJ-C01-3	FK6112FW-037-NT30G-50	FK6112ADF36NC5F	FKLC30606A
G	FA1-NGRJ-C01-3	FK6112GW-037-NT30G-50	FK6112ADG36NC5F	FKLC30607A
H	FA1-NHRJ-C01-3	FK6112HW-037-NT30G-50	FK6112ADH36NC5F	FKLC30608A
I	FA1-NIRJ-C01-3	FK6112IW-037-NT30G-50	FK6112ADI36NC5F	FKLC30609A
K	FA1-NKRJ-C01-3	FK6112KW-037-NT30G-50	FK6112ADK36NC5F	FKLC30610A
Z	FA1-NZRJ-C01-3	FK6112ZW-037-NT30G-50	FK6112ADZ36NC5F	FKLC30611A

Amphenol

Danbury, CT, USA - Taichung, Taiwan - Shenzhen, China

FAKRA R/A JACK

TITLE
 (FOR RG-174/U, 188A/U, 316/U CABLE)

DRAWING NO.
 FK6112XX-037-NT30G-50

NO.	DESCRIPTION	MATERIAL	FINISH	Q'TY	DRAWING NO.
8	FERRULE	NOTE 6	NOTE 3	1	FKFR00101A
7	PLATE	NOTE 8	NOTE 3	1	FKPA00102A
6	LOCK COVER	NOTE 7		1	SEE TABLE
5	RETAINER RING	NOTE 2	NATURAL	1	FKRR00101A
4	HOUSING	NOTE 9	NOTE 10	1	FKHS00801A
3	CONTACT PIN	NOTE 2	NOTE 4	1	FKCP01502A
2	INSULATOR	NOTE 5	NATURAL	1	FKNS01203A
1	BODY	NOTE 1	NOTE 3	1	FKBD02301A

DIMENSIONS ARE IN MILLIMETERS	
UNLESS OTHERWISE SPECIFIED	
TOLERANCES	
0.5-6	= ±0.2
6-30	= ±0.4
30-120	= ±0.6
120-315	= ±1
315-1000	= ±1.6
1000-2000	= ±2.4

PART NO.	FA1-NXRJ-C01-3
APPROVED	DATE
CHECKED	DATE
DRAWN	DATE
FILE NO.	F:\DWG\FK\6112XX\037\50\NT30G-A1

SCALE	2/1	ISSUE	A1
SCALE	2/1	ISSUE	A1
ITEM NO.	FK6112ADZ36NC5F		