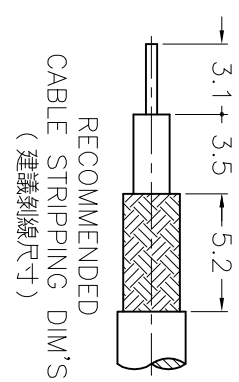
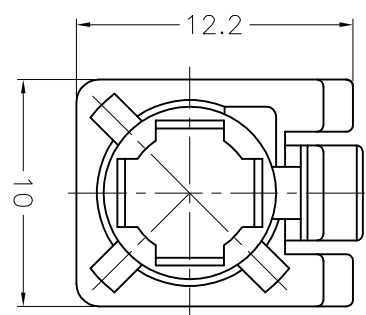
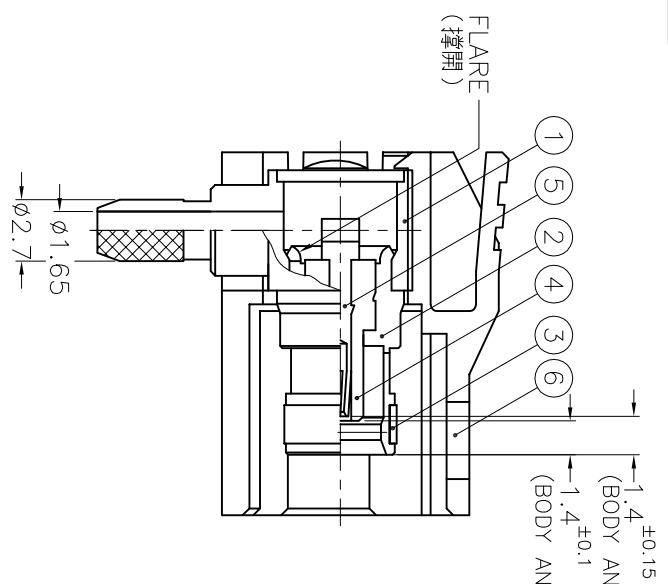
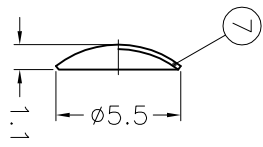


ISS	ZONE	DESCRIPTION\PER REQUEST\DATE
F1	B-6	CANCELLED L AND M KEY CODING\N/A\02-13-03*

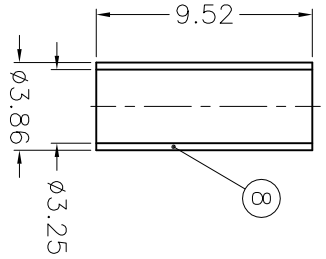
REVISIONS



1. CRIMPED FERRULE
HEX CRIMP SIZE .128"
2. CONTACT PIN TO SOLDER

NOTES: FINISH (PLATING THICKNESS IN MICRO-INCHES)

1. BRASS PER QQ-B-626, ALLOY 360, 1/2 H
: JIS H3250 C, 3604BD OR EQUIVALENT
2. BERYLLIUM COPPER PER QQ-C-530, ALLOY 173, 1/2 H
: ASTM B-196 : FUJII FX301 OR EQUIVALENT
3. BERYLLIUM COPPER JIS C1720R-1/4H : ASTM B-194
OR EQUIVALENT
4. NICKEL PL. 60 MIN. THICK OVER COPPER STRIKE
OVER COPPER STRIKE
5. GOLD PL. 30 MIN. THICK OVER NICKEL PL. 100 MIN. THICK
OVER COPPER STRIKE
6. TEFLON MIL-P-19468 : ASTM D-1710 OR EQUIVALENT
7. COPPER PER ASTM B-75 ALLOY C12200 OR EQUIVALENT
8. NYLON66(WITH 30% GLASS FIBER) PER NYTEX COMPOSITES CO., LTD.
9. BRASS PER QQ-B-613, ALLOY 260, H
: JIS H3100 C 2680R-H OR EQUIVALENT



TABLE

KEY CODING	PART NO.	DRAWING NO.	ITEM NO.	LOCK COVER
A	FA1-NARJ-C01-0	FK6112AW-007-NT30G-50	FK6112AAZ36NC5F	FKLC30501D
B	FA1-NBRJ-C01-0	FK6112BW-007-NT30G-50	FK6112AAB36NC5F	FKLC30502D
C	FA1-NCRJ-C01-0	FK6112CW-007-NT30G-50	FK6112AAK36NC5F	FKLC30503D
D	FA1-NDRJ-C01-0	FK6112DW-007-NT30G-50	FK6112AAD36NC5F	FKLC30504D
E	FA1-NERJ-C01-0	FK6112EW-007-NT30G-50	FK6112AAE36NC5F	FKLC30505D
F	FA1-NFRJ-C01-0	FK6112FW-007-NT30G-50	FK6112AAF36NC5F	FKLC30506D
G	FA1-NGRJ-C01-0	FK6112GW-007-NT30G-50	FK6112AAG36NC5F	FKLC30507D
H	FA1-NHRJ-C01-0	FK6112HW-007-NT30G-50	FK6112AAH36NC5F	FKLC30508D
I	FA1-NIRJ-C01-0	FK6112IW-007-NT30G-50	FK6112AAI36NC5F	FKLC30509D
K	FA1-NKRJ-C01-0	FK6112KW-007-NT30G-50	FK6112AAK36NC5F	FKLC30510D
Z	FA1-NZRJ-C01-0	FK6112ZW-007-NT30G-50	FK6112AAZ36NC5F	FKLC30511D

Amphenol

Danbury, CT, USA - Taichung, Taiwan - Shenzhen, China

TITLE
FAKRA R/A JACK
(FOR RG-174/U, 188A/U, 316/U)

DRAWING NO.
FK6112XX-007-NT30G-50

ITEM NO.
FK6112AAZ36NC5F

NO.	DESCRIPTION	MATERIAL	FINISH	Q'TY	DRAWING NO.
8	FERRULE	NOTE 7	NOTE 4	1	FKFR00101A
7	PLATE	NOTE 9	NOTE 4	1	FKPA00102A
6	LOCK COVER	NOTE 8		1	SEE TABLE
5	CONTACT PIN	NOTE 2	NOTE 5	1	FKCP00701A
4	INSULATOR	NOTE 6	NATURAL	1	FKNS01201A
3	RETAINER RING	NOTE 3	NATURAL	1	FKRR00101A
2	BODY	NOTE 1	NOTE 4	1	FKBD00601B
1	HOUSING	NOTE 1	NOTE 4	1	FKHS00101B

DIMENSIONS ARE IN MILLIMETERS
UNLESS OTHERWISE SPECIFIED
TOLERANCES
0.5-6 = ±0.2
6-30 = ±0.4
30-120 = ±0.6
120-315 = ±1
315-1000 = ±1.6
1000-2000 = ±2.4

PART NO. FA1-NXRJ-C01-0
APPROVED
DATE 02-13-03*

CHECKED
DATE 02-13-03*

DRAWN
DATE 02-13-03*

SCALE 3/1
ISSUE F1
FILE NO. F:\DWG\FK6112XX\007\50\NT30G-F1

1 2 3 4 5 6 7 8