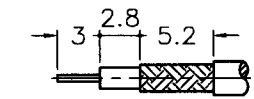


ISS	ZONE	DESCRIPTION\PER REQUEST\DATE
A1	B-6	ADDED KEY CODING\N/A\12-26-01'
A2	E-5	ADDED STAKE 4 POINTS\N/A\05-27-02'
A3	B-5	CANCELLED L AND M KEY CODING\N/A\02-13-03'

**CONFIGURATION CONTROL:**  
NO CHANGES PERMITTED TO DRAWING WITHOUT  
PPAP QUALIFIED CUSTOMER APPROVAL

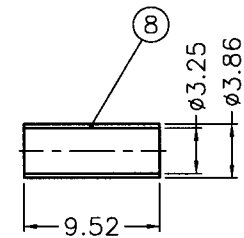
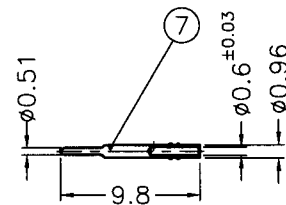
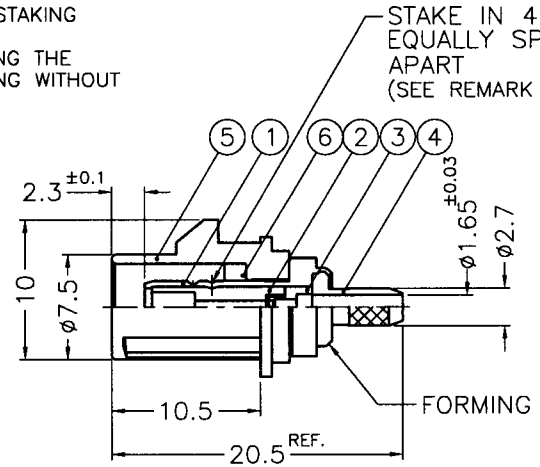
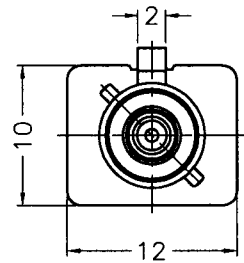


RECOMMENDED  
CABLE STRIPPING DIM'S

1. CRIMPED FERRULE  
HEX CRIMP SIZE .128"
2. CRIMPED CONTACT PIN AFM8  
ADJUST TO 4 OR 5  
POSITIONER K727

REMARK:1. NO.2 MUST WITHSTAND A 4 lbs. MIN.  
PUSHOUT FORCE FROM NO.1 AFTER STAKING  
OPERATION  
2. REMARK 1 IS MAINTAINED BY STAMPING THE  
FOUR POINTS SHOWN ON THE DRAWING WITHOUT  
PUNCTURING NO.1

STAKE IN 4 PLACES  
EQUALLY SPACED 90°  
APART  
(SEE REMARK 1,2)



- NOTES: FINISH (PLATING THICKNESS IN MICRO-INCHES)
1. BRASS PER QQ-B-626, ALLOY 360, 1/2 H ; JIS H3250 C 3604BD OR EQUIVALENT
  2. NICKEL PL. 60 MIN. THICK OVER OPTIONAL COPPER STRIKE
  3. GOLD PL. 30 MIN. THICK OVER NICKEL PL. 100 MIN. THICK OVER OPTIONAL COPPER STRIKE
  4. TEFLON MIL-P-19468 OR EQUIVALENT
  5. COPPER PER ASTM B-75 ALLOY C12200 OR EQUIVALENT
  6. PBT(WITH 15% GLASS FIBER) PER CHANG CHUN GRADE 4115202 OR EQUIVALENT

TABLE

KEY CODING	PART NO.	DRAWING NO.	ITEM NO.	LOCK COVER
A	FA1-NASP-C01-1	FK1121AW-007-NT30G-50	FK1121AAA36NC5F	FKLC10201A
B	FA1-NBSP-C01-1	FK1121BW-007-NT30G-50	FK1121AAB36NC5F	FKLC10202A
C	FA1-NCSP-C01-1	FK1121CW-007-NT30G-50	FK1121AAC36NC5F	FKLC10203A
D	FA1-NDSP-C01-1	FK1121DW-007-NT30G-50	FK1121AAD36NC5F	FKLC10204A
E	FA1-NESP-C01-1	FK1121EW-007-NT30G-50	FK1121AAE36NC5F	FKLC10205A
F	FA1-NFSP-C01-1	FK1121FW-007-NT30G-50	FK1121AAF36NC5F	FKLC10206A
G	FA1-NGSP-C01-1	FK1121GW-007-NT30G-50	FK1121AAG36NC5F	FKLC10207A
H	FA1-NHSP-C01-1	FK1121HW-007-NT30G-50	FK1121AAH36NC5F	FKLC10208A
I	FA1-NISP-C01-1	FK1121IW-007-NT30G-50	FK1121AAI36NC5F	FKLC10209A
K	FA1-NKSP-C01-1	FK1121KW-007-NT30G-50	FK1121AAK36NC5F	FKLC10210A
Z	FA1-NZSP-C01-1	FK1121ZW-007-NT30G-50	FK1121AAZ36NC5F	FKLC10211A

NO.	DESCRIPTION	MATERIAL	FINISH	Q'TY	DRAWING NO.	SCALE	2/1	ISSUE	A3	FILE NO.F:\DWG\FK\1121XX\007\50\NT30G-A3-PPAP
8	FERRULE		NOTE 5	NOTE 2	1	FKFR00101A				
7	CONTACT PIN		NOTE 1	NOTE 3	1	FKCP00101A				
6	RING		NOTE 1	NOTE 2	1	FKLR00101A				
5	LOCK COVER		NOTE 6		1	SEE TABLE				
4	BARREL		NOTE 1	NOTE 2	1	FKBR00101B				
3	INSULATOR		NOTE 4	NATURAL	1	FKNS00201A				
2	INSULATOR		NOTE 4	NATURAL	1	FKNS00101A				
1	BODY		NOTE 1	NOTE 2	1	FKBD00101A				

DIMENSIONS ARE IN MILLIMETERS  
UNLESS OTHERWISE SPECIFIED  
TOLERANCES  
0.5-6 = ±0.2  
6-30 = ±0.4  
30-120 = ±0.6  
120-315 = ±1  
315-1000 = ±1.6  
1000-2000 = ±2.4

PART NO. **FA1-NXSP-C01-1**  
APPROVED **MARK CHU** DATE 05-02-03'  
CHECKED **COASE WANG** DATE 05-02-03'  
DRAWN **LILY CHIU** DATE 05-02-03'

**Amphenol**  
Danbury,CT,USA-Tainan,Taiwan-Shenzhen,China  
TITLE **FAKRA SMB CRIMP PLUG**  
(FOR RG-174/U, 188A/U, 316/U CABLE)  
DRAWING NO. **FK1121XX-007-NT30G-50**  
ITEM NO. **FK1121AAX36NC5F**