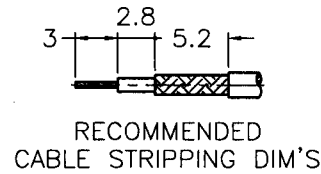
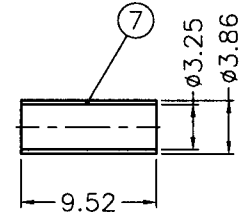
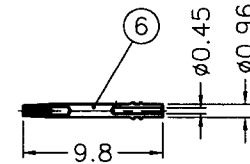
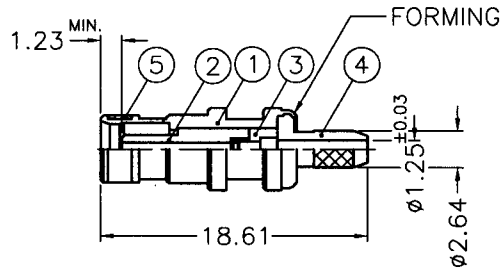
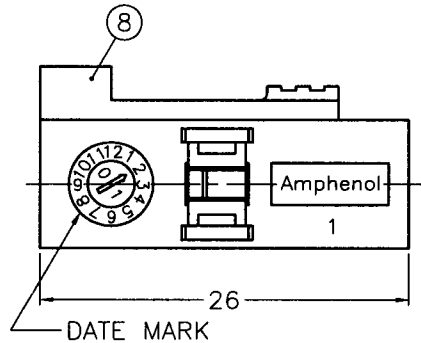


REVISIONS		
ISS	ZONE	DESCRIPTION\PER REQUEST\DATE
A1	F-6	CANCEL REMARK\N/A\12-27-01'
	B-6	ADDED KEY CODING\N/A\12-27-01'
B	B-8	NO.8 WAS CHANGED AND CRIMPED TOOL WAS MODIFY \RD-DM91042901L\04-29-02'
C	B-8	NO.8 WAS CHANGED\RD-DM91060601L\06-06-02'
D	B-8	NO.8 WAS CHANGED\RD-DM91091701L\11-12-02'
D1	B-6	CANCELLED L AND M KEY CODING\N/A\02-13-03'

CONFIGURATION CONTROL:
NO CHANGES PERMITTED TO DRAWING WITHOUT
PPAP QUALIFIED CUSTOMER APPROVAL

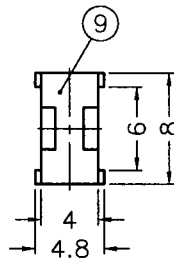


1. CRIMPED FERRULE
HEX CRIMP SIZE .128"
2. CRIMPED CONTACT PIN AFM8
ADJUST TO 4 OR 5
POSITIONER K727



NOTES: FINISH (PLATING THICKNESS IN MICRO-INCHES)

1. BRASS PER QQ-B-626, ALLOY 360, 1/2 H
: JIS H3250 C 3604BD OR EQUIVALENT
2. NICKEL PL. 60 MIN. THICK OVER OPTIONAL COPPER STRIKE
3. BERYLLIUM COPPER PER QQ-C-530, ALLOY 173, 1/2 H
: FUJII FX301 OR EQUIVALENT
4. GOLD PL. 30 MIN. THICK OVER NICKEL PL. 100 MIN. THICK
OVER OPTIONAL COPPER STRIKE
5. TEFLON MIL-P-19468 OR EQUIVALENT
6. BERYLLIUM COPPER JIS C1720R-1/4H OR EQUIVALENT
7. COPPER PER ASTM B-75 ALLOY C12200 OR EQUIVALENT
8. NYLOY66(WITH 33% GLASS FIBER) PER NYTEX COMPOSITES CO., LTD.
GRADE MG-0033N-V0 OR EQUIVALENT
9. PBT(WITH 15% GLASS FIBER) PER CHANG CHUN GRADE
4115202 OR EQUIVALENT



TABLE

KEY CODING	PART NO.	DRAWING NO.	ITEM NO.	LOCK COVER
A	FA1-NASJ-C10-0	FK6121AW-002-NT30G-50	FK6121AAA1NC5F	FKLC30101D
B	FA1-NBSJ-C10-0	FK6121BW-002-NT30G-50	FK6121AABA1NC5F	FKLC30102D
C	FA1-NCSJ-C10-0	FK6121CW-002-NT30G-50	FK6121AACA1NC5F	FKLC30103D
D	FA1-NDSJ-C10-0	FK6121DW-002-NT30G-50	FK6121AADA1NC5F	FKLC30104D
E	FA1-NESJ-C10-0	FK6121EW-002-NT30G-50	FK6121AAEA1NC5F	FKLC30105D
F	FA1-NFSJ-C10-0	FK6121FW-002-NT30G-50	FK6121AAFA1NC5F	FKLC30106D
G	FA1-NGSJ-C10-0	FK6121GW-002-NT30G-50	FK6121AAGA1NC5F	FKLC30107D
H	FA1-NHSJ-C10-0	FK6121HW-002-NT30G-50	FK6121AAHA1NC5F	FKLC30108D
I	FA1-NISJ-C10-0	FK6121IW-002-NT30G-50	FK6121AAIA1NC5F	FKLC30109D
K	FA1-NKSJ-C10-0	FK6121KW-002-NT30G-50	FK6121AAKA1NC5F	FKLC30110D
Z	FA1-NZSJ-C10-0	FK6121ZW-002-NT30G-50	FK6121AAZA1NC5F	FKLC30111D

9	LOCK COVER	NOTE 9	NATURAL	1	FKLC00001A
8	LOCK COVER	NOTE 8		1	SEE TABLE
7	FERRULE	NOTE 7	NOTE 2	1	FKFR00101A
6	CONTACT PIN	NOTE 3	NOTE 4	1	FKCP00203A
5	RETAINER RING	NOTE 6	NATURAL	1	FKRR00101A
4	BARREL	NOTE 1	NOTE 2	1	FKBR00103A
3	INSULATOR	NOTE 5	NATURAL	1	FKNS00201A
2	INSULATOR	NOTE 5	NATURAL	1	FKNS00301A
1	BODY	NOTE 1	NOTE 2	1	FKBD00301A
NO.	DESCRIPTION	MATERIAL	FINISH	Q'TY	DRAWING NO.

DIMENSIONS ARE IN MILLIMETERS
UNLESS OTHERWISE SPECIFIED
TOLERANCES
0.5-6 = ±0.2
6-30 = ±0.4
30-120 = ±0.6
120-315 = ±1
315-1000 = ±1.6
1000-2000 = ±2.4

PART NO.	FA1-NXSJ-C10-0	
APPROVED	MARK CHU	DATE 05-02-03'
CHECKED	COASE WANG	DATE 05-02-03'
DRAWN	LILY CHIU	DATE 05-02-03'
FILE NO.	F:\DWG\FK\6121XX\002\50\NT30G-D1-PPAP	

Amphenol	
Danbury,CT,USA-Tainan,Taiwan-Shenzhen,China	
TITLE FAKRA SMB CRIMP JACK (FOR RAYCHEM .071 O.D. CABLE)	
DRAWING NO. FK6121XX-002-NT30G-50	
ITEM NO. FK6121AAXA1NC5F	