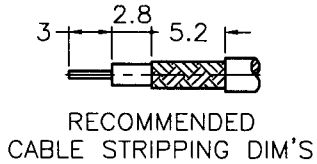
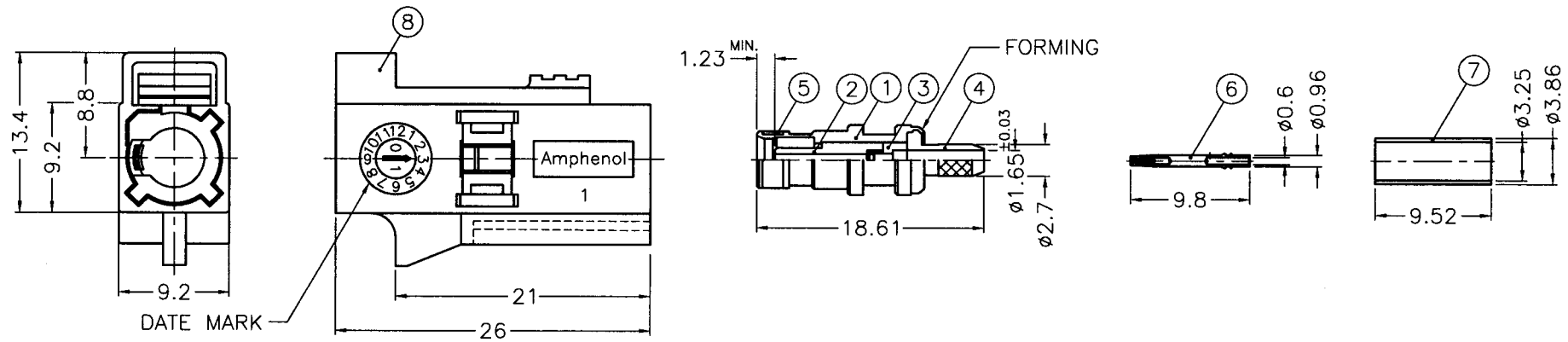


ISS	ZONE	DESCRIPTION\PER REQUEST\DATE
A1	D-3	NO.8'S DIMENSIONS WERE UPDATE\N/A\11-21-01'
A2	B-6	ADDED KEY CODING\N/A\12-27-01'
B	B-8	NO.8 WAS CHANGED\RD-DM91042901L\04-29-02'
C	B-8	NO.8 WAS CHANGED\RD-DM91060601L\06-06-02'
D	B-8	NO.8 WAS CHANGED\RD-DM91091701L\11-12-02'
D1	B-6	CANCELLED L AND M KEY CODING\N/A\02-13-03'

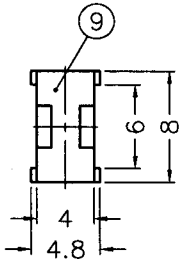
**CONFIGURATION CONTROL:**  
NO CHANGES PERMITTED TO DRAWING WITHOUT  
PPAP QUALIFIED CUSTOMER APPROVAL



1. CRIMPED FERRULE  
HEX CRIMP SIZE .128"
2. CRIMPED CONTACT PIN AFM8  
ADJUST TO 4 OR 5  
POSITIONER K727



- NOTES: FINISH (PLATING THICKNESS IN MICRO-INCHES)
1. BRASS PER QQ-B-626, ALLOY 360, 1/2 H ; JIS H3250 C 3604BD OR EQUIVALENT
  2. NICKEL PL. 60 MIN. THICK OVER OPTIONAL COPPER STRIKE
  3. BERYLLIUM COPPER PER QQ-C-530, ALLOY 173, 1/2 H ; FUJII FX301 OR EQUIVALENT
  4. GOLD PL. 30 MIN. THICK OVER NICKEL PL. 100 MIN. THICK OVER OPTIONAL COPPER STRIKE
  5. TEFLON MIL-P-19468 OR EQUIVALENT
  6. BERYLLIUM COPPER JIS C1720R-1/4H OR EQUIVALENT
  7. COPPER PER ASTM B-75 ALLOY C12200 OR EQUIVALENT
  8. NYLOY66(WITH 33% GLASS FIBER) PER NYTEX COMPOSITES CO., LTD. GRADE MG-0033N-V0 OR EQUIVALENT
  9. PBT(WITH 15% GLASS FIBER) PER CHANG CHUN GRADE 4115202 OR EQUIVALENT



TABLE

KEY CODING	PART NO.	DRAWING NO.	ITEM NO.	LOCK COVER
A	FA1-NASJ-C01-6	FK6121AW-005-NT30G-50	FK6121ACA36NC5F	FKLC30301D
B	FA1-NBSJ-C01-6	FK6121BW-005-NT30G-50	FK6121ACB36NC5F	FKLC30302D
C	FA1-NCSJ-C01-6	FK6121CW-005-NT30G-50	FK6121ACC36NC5F	FKLC30303D
D	FA1-NDSJ-C01-6	FK6121DW-005-NT30G-50	FK6121ACD36NC5F	FKLC30304D
E	FA1-NESJ-C01-6	FK6121EW-005-NT30G-50	FK6121ACE36NC5F	FKLC30305D
F	FA1-NFSJ-C01-6	FK6121FW-005-NT30G-50	FK6121ACF36NC5F	FKLC30306D
G	FA1-NGSJ-C01-6	FK6121GW-005-NT30G-50	FK6121ACG36NC5F	FKLC30307D
H	FA1-NHSJ-C01-6	FK6121HW-005-NT30G-50	FK6121ACH36NC5F	FKLC30308D
I	FA1-NISJ-C01-6	FK6121IW-005-NT30G-50	FK6121ACI36NC5F	FKLC30309D
K	FA1-NKSJ-C01-6	FK6121KW-005-NT30G-50	FK6121ACK36NC5F	FKLC30310D
Z	FA1-NZSJ-C01-6	FK6121ZW-005-NT30G-50	FK6121ACZ36NC5F	FKLC30311D

NO.	DESCRIPTION	MATERIAL	FINISH	Q'TY	DRAWING NO.	SCALE	2/1	ISSUE	D1	FILE NO.F:\DWG\FK\6121XX\005\50\NT30G-D1-PPAP
9	LOCK COVER	NOTE 9	NATURAL	1	FKLC00001A					
8	LOCK COVER	NOTE 8		1	SEE TABLE					
7	FERRULE	NOTE 7	NOTE 2	1	FKFR00101A					
6	CONTACT PIN	NOTE 3	NOTE 4	1	FKCP00201A					
5	RETAINER RING	NOTE 6	NATURAL	1	FKRR00101A					
4	BARREL	NOTE 1	NOTE 2	1	FKBR00101B					
3	INSULATOR	NOTE 5	NATURAL	1	FKNS00201A					
2	INSULATOR	NOTE 5	NATURAL	1	FKNS00301A					
1	BODY	NOTE 1	NOTE 2	1	FKBD00301A					

DIMENSIONS ARE IN MILLIMETERS  
UNLESS OTHERWISE SPECIFIED  
TOLERANCES

0.5-6 = ±0.2  
6-30 = ±0.4  
30-120 = ±0.6  
120-315 = ±1  
315-1000 = ±1.6  
1000-2000 = ±2.4

PART NO. **FA1-NXSJ-C01-6**

APPROVED **MARK CHU** DATE **05-02-03'**

CHECKED **COASE WANG** DATE **05-02-03'**

DRAWN **LILY CHIU** DATE **05-02-03'**

**Amphenol**  
Danbury,CT,USA-Tainan,Taiwan-Shenzhen,China

TITLE **FAKRA 180° CLIP SMB CRIMP JACK  
(FOR RG-174/U, 188A/U, 316/U CABLE)**

DRAWING NO. **FK6121XX-005-NT30G-50**

ITEM NO. **FK6121ACX36NC5F**