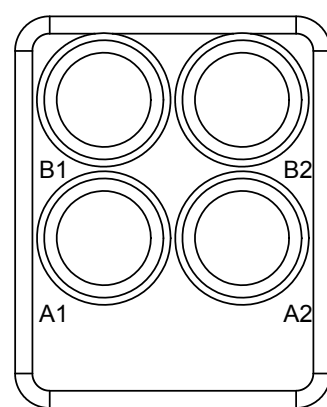
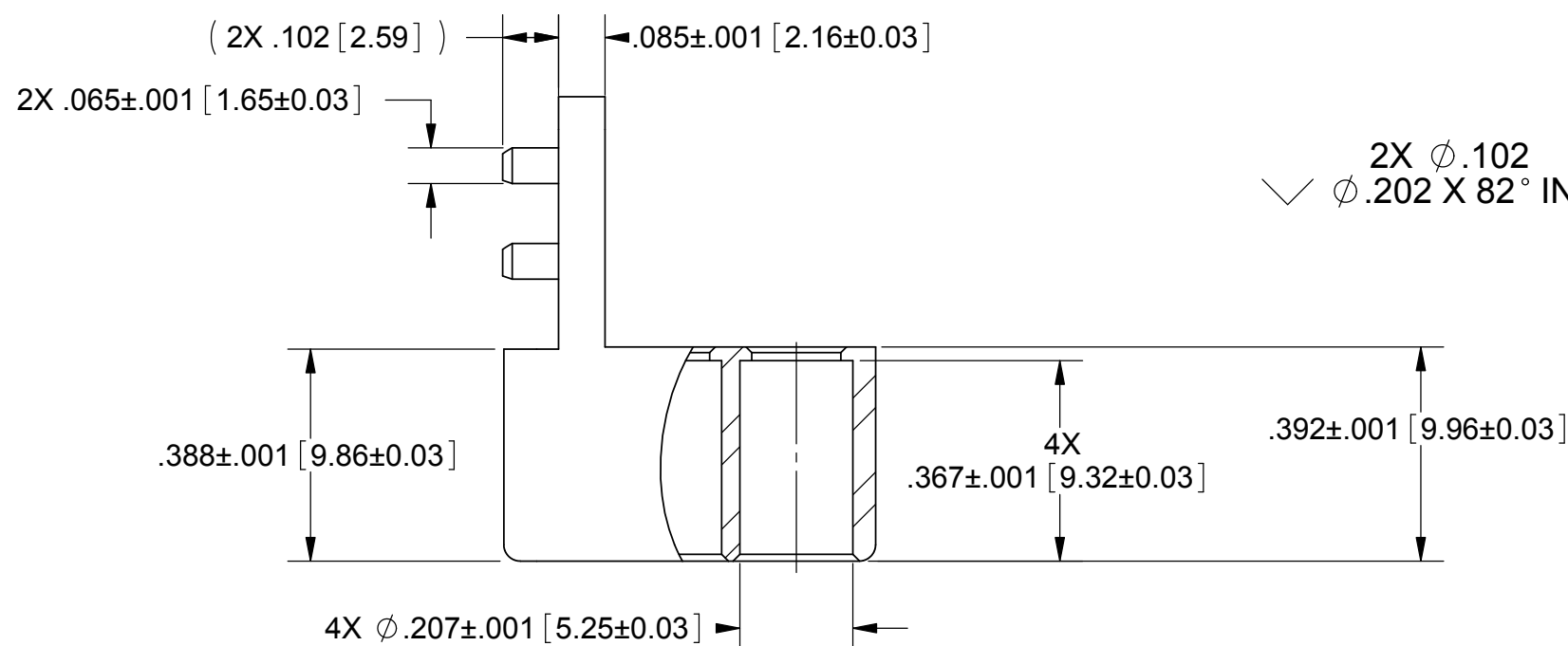
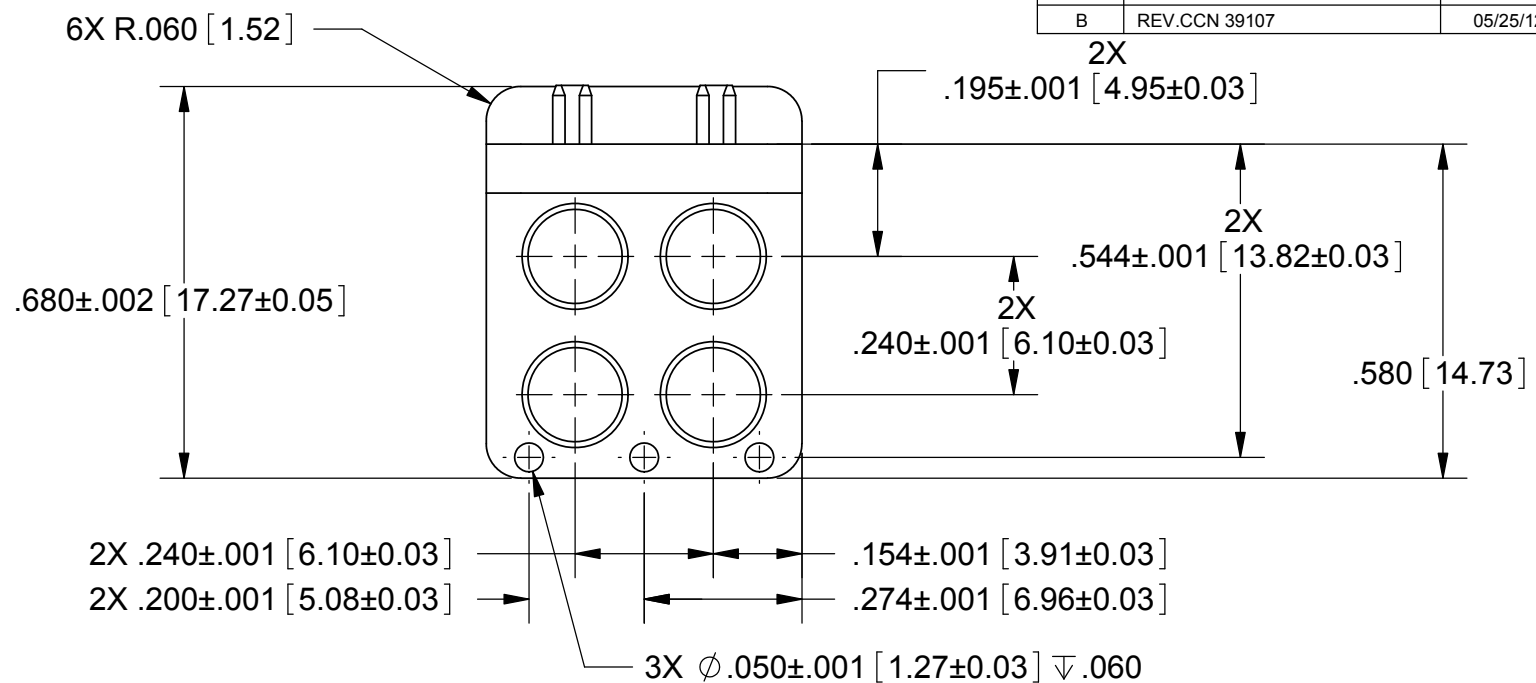


# PRODUCT DATA DRAWING

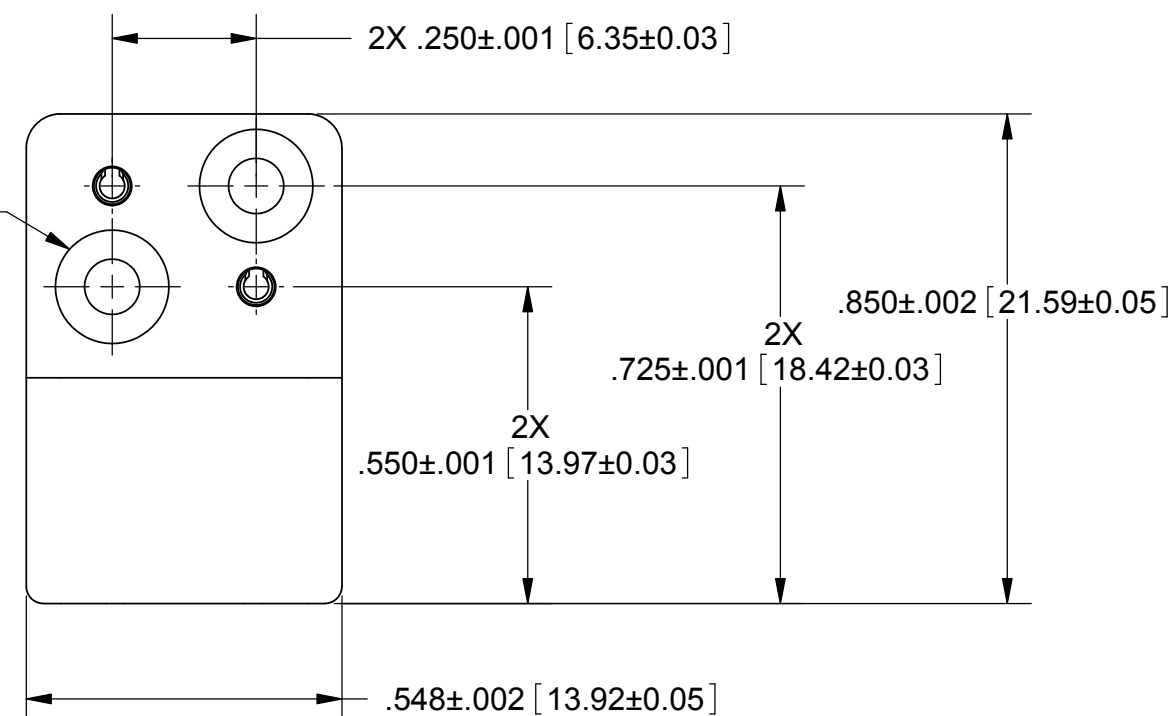
REVISION HISTORY			
REV	DESCRIPTION	DATE	APPROVED
-	REL. DCN 37941	01/06/11	STW
A	REV. DCN 38578	09/26/11	STW
B	REV.CCN 39107	05/25/12	STW



CAVITY IDENTIFICATION



2X Ø.102  
∇ Ø.202 X 82° INCL.



MATERIAL:

MODULE: STAINLESS STEEL PER AMS-5640, ALLOY UNS S30300, TYPE 1

ALIGNMENT PINS: STAINLESS STEEL PER ASTM A313, ALLOY UNS S30200, TYPE 302.

FINISH:

MODULE & ALIGNMENT PINS: PASSIVATED PER AMS-2700.

MATERIAL:	SEE NOTES
FINISH:	SEE NOTES
SURFACE AREA:	N/A
<b>PROPRIETARY</b>	
THE INFORMATION CONTAINED IN THIS DRAWING IS THE SOLE PROPERTY OF SV MICROWAVE, INC. ANY REPRODUCTION IN PART OR AS A WHOLE WITHOUT THE WRITTEN PERMISSION OF SV MICROWAVE, INC IS PROHIBITED.	

DIMENSIONS ARE IN INCHES TOLERANCES:	
FRACTIONAL:	±1/64 ANGULAR: X° ±1'0" X"X' ±15'
DECIMAL:	X ±.030 .XX ±.010 .XXX ±.005
INTERPRET DIMENSIONS AND TOLERANCES PER ASME Y14.5M - 1994	
THIRD ANGLE PROJECTION	

UNLESS OTHERWISE SPECIFIED	
1) ALL DIMENSIONS ARE IN INCHES (MILLIMETERS) 2) ALL DIMENSIONS ARE AFTER PLATING. 3) BREAK CORNERS & EDGES .005 R. MAX. 4) CHAM. 1ST & LAST THREADS. 5) SURFACE ROUGHNESS 63-MIL-STD-10. 6) DIA: 'S ON COMMON CENTERS TO BE CONCENTRIC WITHIN .005 T.I.R. 7) REMOVE ALL BURRS	
DRAWN:	JMC 12/29/10
CHECKED:	STW 12/30/10
APPROVED:	STW 12/30/10

<b>SV Microwave, Inc.</b>	
2400 Centrepark West Drive, Suite 100 West Palm Beach, FL 33409	
TITLE: <b>MULTIPOINT MODULE 4 POS</b>	
SIZE: <b>B</b>	CAGE CODE: <b>95077</b>
DWG. NO.:	<b>SF9321-60015</b>
SCALE: 3:1	SHEET 1 OF 1