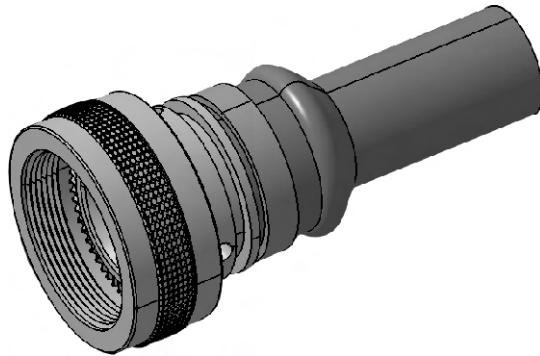


# PRE-SHIELD ADAPTOR



This adaptor is supplied with some length of braid attached. This braid overlaps with the cable braid and effective shielding takes place due to its 360° contact. It is designed to accept heat shrink boot. Ease and less time for cable termination are the prime advantages here.

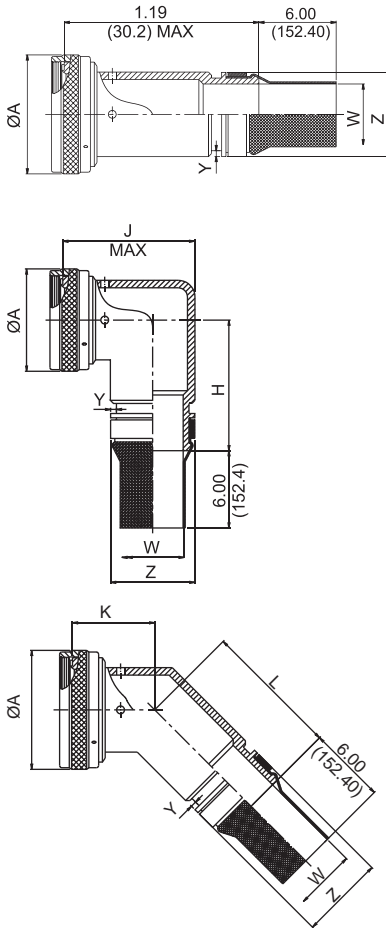
For Connector Group		Page No.
J	→	VIII-1 - VIII-2
K	→	VIII-3 - VIII-4
L	→	VIII-5 - VIII-6
M	→	VIII-7 - VIII-8
N	→	VIII-9 - VIII-10

**Note:** For Connector group Identification refer Table 1 - A, B, C, D (Page 7-11) and for Material / Plating Finish, Refer Table-2 (Page 12)

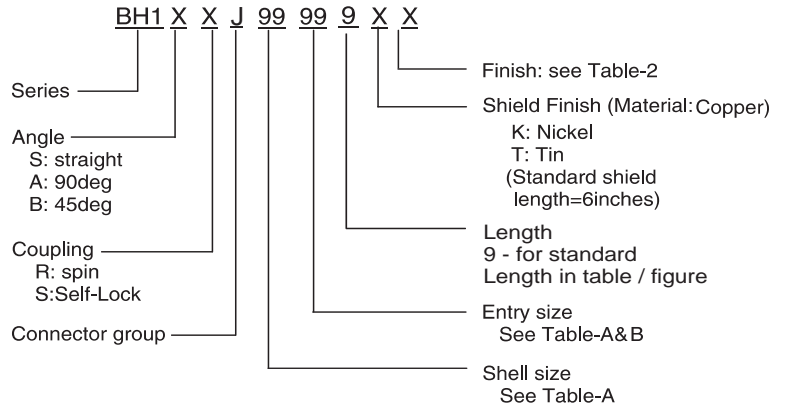


### Connector Group - J

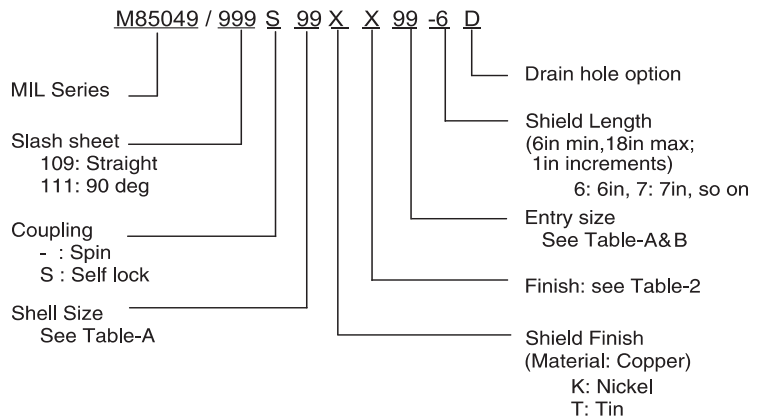
Straight, 90°, 45°



#### Amphenol Part Number



#### MIL Part Number



NOTE: \* For more cable entry and length options, contact factory

TABLE - A										
PART NUMBER DESIGNATOR				CONNECTOR SHELL SIZE	A DIA. (MAX)		H (MAX)		J (MAX)	
SHELL SIZE - MIL	SHELL SIZE - AMPHENOL	ALLOWABLE ENTRY SIZE		SIZE	INCH	MM	INCH	MM	INCH	MM
		MIN	MAX							
08	08	-	01	8	0.885	22.48	1.73	43.94	1.12	28.45
10	10	01	03	10	1.01	25.65	1.85	46.99	1.25	31.75
12	12	01	05	7/12	1.135	28.83	1.87	47.50	1.38	35.05
14	14	02	06	12/14	1.26	32.00	1.94	49.28	1.44	36.58
16	16	04	08	19/16	1.385	35.18	2.03	51.56	1.56	39.62
18	18	05	09	27/18	1.51	38.35	2.2	55.88	1.75	44.45
20	20	07	11	37/20	1.635	41.53	2.2	55.88	1.75	44.45
22	22	09	13	22	1.76	44.70	2.31	58.67	2	50.80
24	24	11	14	24	1.885	47.88	2.31	58.67	2	50.80
28	28	14	16	28	2.135	54.23	2.48	62.99	2.25	57.15
32	32	16	17	32	2.395	60.83	2.73	69.34	2.75	69.85
36	36	17	19	36	2.635	66.93	2.73	69.34	3.125	79.38
40	40	19	21	40	2.885	73.28	2.88	73.15	4.125	104.78
44	44	21	23	44	3.135	79.63	3	76.20	4.125	104.78
48	48	23	25	48	3.385	85.98	3.12	79.25	4.125	104.78

Table Continued

Connector Group - J

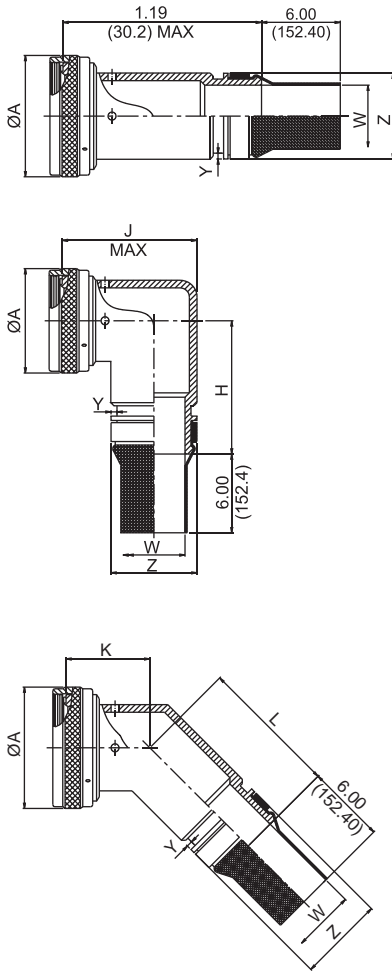
Straight, 90°, 45°

PART NUMBER DESIGNATOR				CONNECTOR SHELL SIZE	L(MAX)		K (MAX)	
SHELL SIZE - MIL	SHELL SIZE- AMPHENOL	ALLOWABLE ENTRY SIZE		SIZE	INCH	MM	INCH	MM
		MIN	MAX		NOT APPLICABLE FOR S.A.E			
08	08	-	01	8	1.61	40.89	1.00	25.40
10	10	01	03	10	1.73	43.94	1.13	28.70
12	12	01	05	7/12	1.75	44.45	1.26	32.00
14	14	02	06	12/14	1.82	46.23	1.32	33.53
16	16	04	08	19/16	1.91	48.51	1.44	36.58
18	18	05	09	27/18	2.08	52.83	1.63	41.40
20	20	07	11	37/20	2.08	52.83	1.63	41.40
22	22	09	13	22	2.19	55.63	1.88	47.75
24	24	11	14	24	2.19	55.63	1.88	47.75
28	28	14	16	28	2.36	59.94	2.13	54.10
32	32	16	17	32	2.61	66.29	2.63	66.80
36	36	17	19	36	2.61	66.29	3.01	76.45
40	40	19	21	40	2.76	70.10	4.01	101.85
44	44	21	23	44	2.88	73.15	4.01	101.85
48	48	23	25	48	3.00	76.20	4.01	101.85

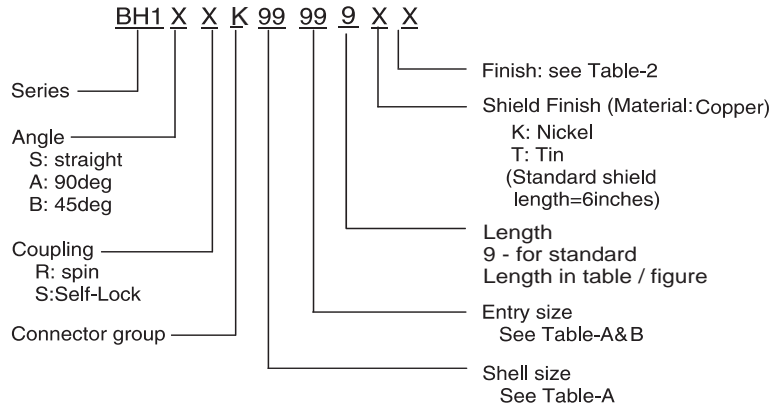
ENTRY SIZE	W ±0.020	W +0.508	Y +0.008 -0.000 (INCH)	Y +0.200 -0.000 (MM)	Z MAX	Z MAX
	(INCH)	(MM)	(INCH)	(MM)	(INCH)	(MM)
01	0.250	6.35	0.044	1.12	0.56	14.22
02	0.312	7.92	0.044	1.12	0.63	16.00
03	0.375	9.53	0.044	1.12	0.69	17.53
04	0.438	11.13	0.044	1.12	0.75	19.05
05	0.500	12.70	0.044	1.12	0.82	20.83
06	0.562	14.27	0.044	1.12	0.89	22.61
07	0.625	15.88	0.044	1.12	0.95	24.13
08	0.688	17.48	0.044	1.12	1.02	25.91
09	0.750	19.05	0.069	1.75	1.07	27.18
10	0.812	20.62	0.069	1.75	1.13	28.70
11	0.875	22.23	0.069	1.75	1.19	30.23
12	0.938	23.83	0.069	1.75	1.26	32.00
13	1.000	25.40	0.069	1.75	1.32	33.53
14	1.125	28.575	0.069	1.75	1.47	37.34
15	1.250	31.75	0.069	1.75	1.60	40.64
16	1.375	34.93	0.069	1.75	1.71	43.43
17	1.500	38.10	0.086	2.18	1.84	46.74
18	1.625	41.28	0.086	2.18	2.00	50.80
19	1.750	44.45	0.086	2.18	2.12	53.85
20	1.875	47.63	0.086	2.18	2.27	57.66
22	2.000	50.80	0.086	2.18	2.44	61.98
22	2.125	53.98	0.086	2.18	2.60	66.04
23	2.250	57.15	0.086	2.18	2.75	69.85
24	2.375	60.325	0.086	2.18	2.90	73.66
25	2.500	63.50	0.086	2.18	3.06	77.72

### Connector Group - K

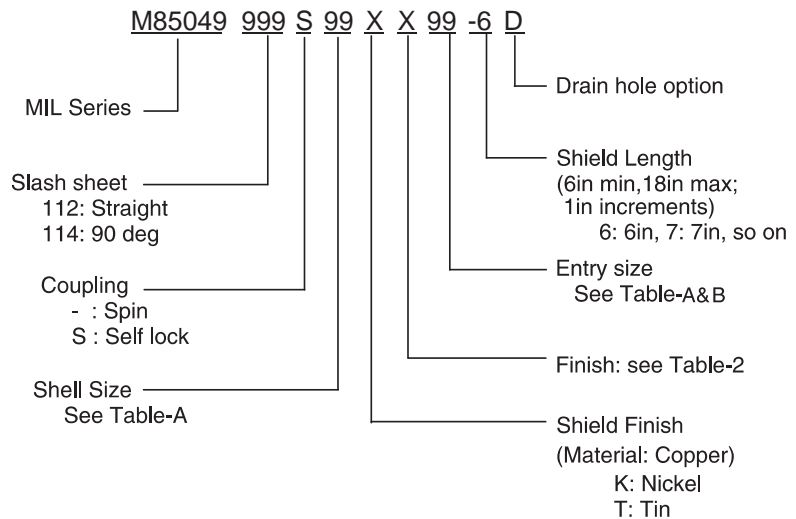
Straight, 90°, 45°



#### Amphenol Part Number



#### MIL Part Number



**NOTE:** \* For more cable entry and length options, contact factory

**TABLE - A**

PART NUMBER DESIGNATOR				CONNECTOR SHELL SIZE	A DIA. (MAX)		H (MAX)		J (MAX)		L (MAX)		K (MAX)	
SHELL SIZE - MIL	SHELL SIZE- AMPHENOL	ALLOWABLE ENTRY SIZE			INCH	MM	INCH	MM	INCH	MM	INCH	MM	INCH	MM
		MIN	MAX											
08	08	-	01	8/9	0.86	21.84	1.73	43.94	1.07	27.18	1.61	40.89	1.00	25.40
10	10	01	03	10/11	0.98	24.89	1.85	46.99	1.19	30.23	1.73	43.94	1.13	28.70
12	12	01	05	12/13	1.16	29.46	1.87	47.50	1.32	33.53	1.75	44.45	1.26	32.00
14	14	03	07	14/15	1.28	32.51	1.94	49.28	1.44	36.58	1.82	46.23	1.32	33.53
16	16	05	09	16/17	1.41	35.81	2.03	51.56	1.57	39.88	1.91	48.51	1.44	36.58
18	18	06	10	18/19	1.52	38.61	2.2	55.88	1.75	44.45	2.08	52.83	1.63	41.40
20	20	08	12	20/21	1.64	41.66	2.2	55.88	1.75	44.45	2.08	52.83	1.63	41.40
22	22	09	13	22/23	1.77	44.96	2.31	58.67	2	50.80	2.19	55.63	1.88	47.75
24	24	10	14	24/25	1.89	48.01	2.31	58.67	2	50.80	2.19	55.63	1.88	47.75

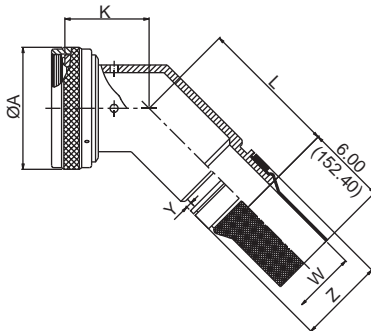
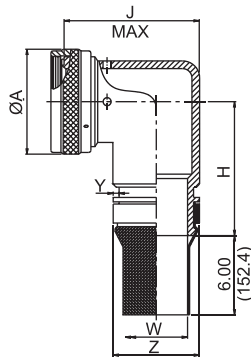
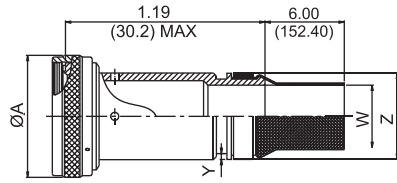
NOT APPLICABLE FOR S.A.E

TABLE - B						
ENTRY SIZE	W ±0.020	W ±0.508	Y +0.008 -0.000 (INCH)	Y +0.200 -0.000 (MM)	Z MAX	Z MAX
	(INCH)	(MM)	(INCH)	(MM)	(INCH)	(MM)
01	0.250	6.35	0.044	1.12	0.56	14.22
02	0.312	7.92	0.044	1.12	0.63	16.00
03	0.375	9.53	0.044	1.12	0.69	17.53
04	0.438	11.13	0.044	1.12	0.75	19.05
05	0.500	12.70	0.044	1.12	0.82	20.83
06	0.562	14.27	0.044	1.12	0.89	22.61
07	0.625	15.88	0.044	1.12	0.95	24.13
08	0.688	17.48	0.044	1.12	1.02	25.91
09	0.750	19.05	0.069	1.75	1.07	27.18
10	0.812	20.62	0.069	1.75	1.13	28.70
11	0.875	22.23	0.069	1.75	1.19	30.23
12	0.938	23.83	0.069	1.75	1.26	32.00
13	1.000	25.40	0.069	1.75	1.32	33.53
14	1.125	28.575	0.069	1.75	1.47	37.34

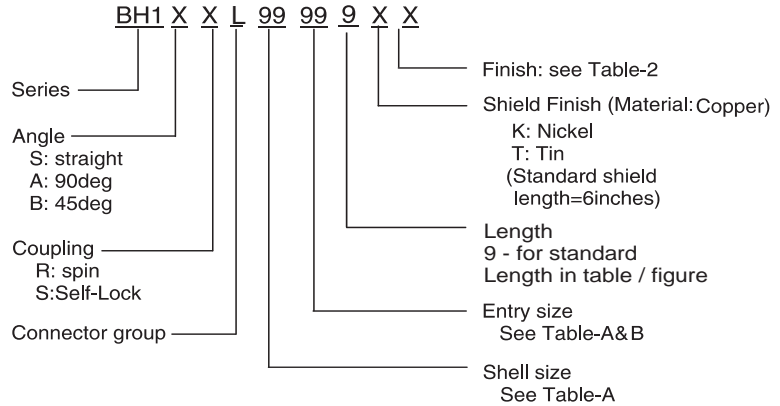


### Connector Group - L

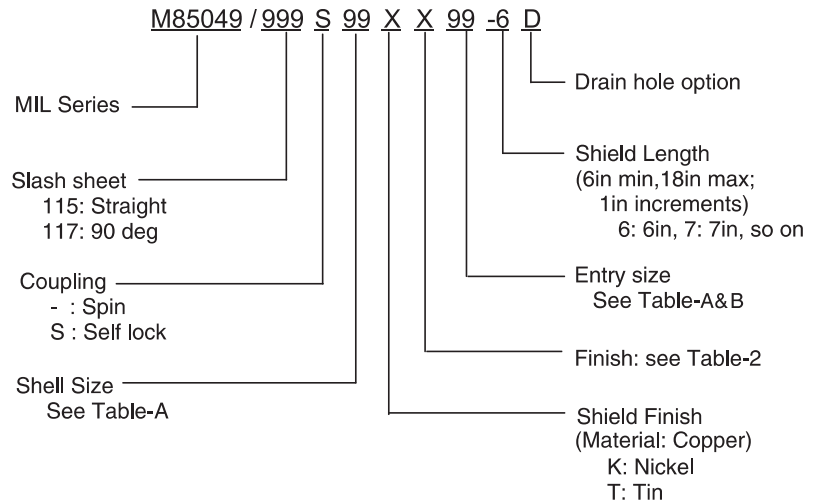
Straight, 90°, 45°



#### Amphenol Part Number



#### MIL Part Number



NOTE: \* For more cable entry and length options, contact factory

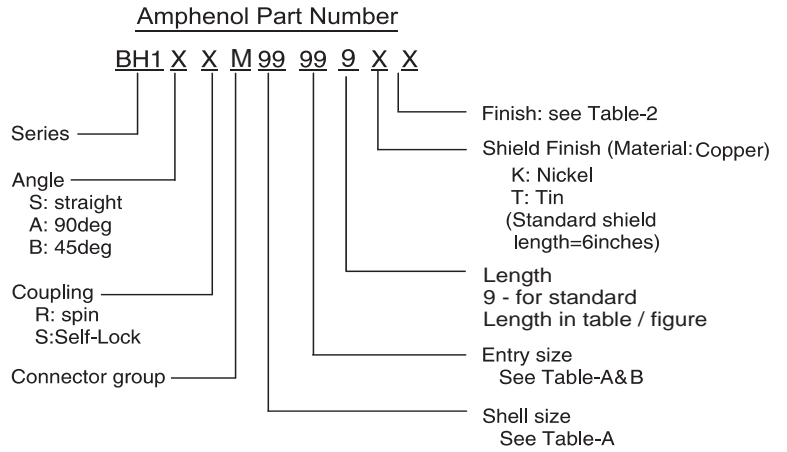
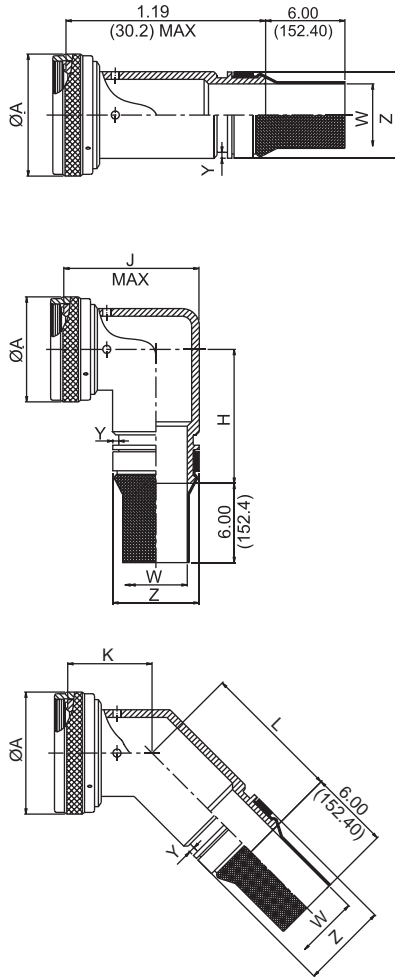
TABLE - A														
PART NUMBER DESIGNATOR				CONNECTOR SHELL SIZE	A DIA. (MAX)		H (MAX)		J (MAX)		L (MAX)		K (MAX)	
SHELL SIZE - MIL	SHELL SIZE- AMPHENOL	ALLOWABLE ENTRY SIZE			INCH	MM	INCH	MM	INCH	MM	INCH	MM	INCH	MM
		MIN	MAX											
09	08	-	01	8/9	0.86	21.84	1.73	43.94	0.88	22.35	NOT APPLICABLE FOR S.A.E			
11	10	01	03	10/11	0.98	24.89	1.85	46.99	1	25.40	1.73	43.94	1.13	28.70
13	12	01	05	12/13	1.16	29.46	1.87	47.50	1.13	28.70	1.75	44.45	1.26	32.00
15	14	03	07	14/15	1.28	32.51	1.94	49.28	1.31	33.27	1.82	46.23	1.32	33.53
17	16	05	09	16/17	1.41	35.81	2.03	51.56	1.5	38.10	1.91	48.51	1.44	36.58
19	18	06	10	18/19	1.52	38.61	2.2	55.88	1.75	44.45	2.08	52.83	1.63	41.40
21	20	08	12	20/21	1.64	41.66	2.2	55.88	1.75	44.45	2.08	52.83	1.63	41.40
23	22	09	13	22/23	1.77	44.96	2.31	58.67	2	50.80	2.19	55.63	1.88	47.75
25	24	10	14	24/25	1.89	48.01	2.31	58.67	2	50.80	2.19	55.63	1.88	47.75

TABLE - B						
ENTRY SIZE	W ±0.020	W ±0.508	Y +0.008 -0.000 (INCH)	Y +0.200 -0.000 (MM)	Z MAX	Z MAX
	(INCH)	(MM)	(INCH)	(MM)	(INCH)	(MM)
01	0.250	6.35	0.044	1.12	0.56	14.22
02	0.312	7.92	0.044	1.12	0.63	16.00
03	0.375	9.53	0.044	1.12	0.69	17.53
04	0.438	11.13	0.044	1.12	0.75	19.05
05	0.500	12.70	0.044	1.12	0.82	20.83
06	0.562	14.27	0.044	1.12	0.89	22.61
07	0.625	15.88	0.044	1.12	0.95	24.13
08	0.688	17.48	0.044	1.12	1.02	25.91
09	0.750	19.05	0.069	1.75	1.07	27.18
10	0.812	20.62	0.069	1.75	1.13	28.70
11	0.875	22.23	0.069	1.75	1.19	30.23
12	0.938	23.83	0.069	1.75	1.26	32.00
13	1.000	25.40	0.069	1.75	1.32	33.53
14	1.125	28.575	0.069	1.75	1.47	37.34



### Connector Group - M

Straight, 90°, 45°



**NOTE:** \* For more cable entry and length options, contact factory

**TABLE - A**

PART NUMBER DESIGNATOR				CONNECTOR SHELL SIZE	A DIA. (MAX)		H (MAX)		J (MAX)		L(MAX)		K (MAX)	
SHELL SIZE - MIL	SHELL SIZE- AMPHENOL	ALLOWABLE ENTRY SIZE			INCH	MM	INCH	MM	INCH	MM	INCH	MM	INCH	MM
		MIN	MAX											
08	08	-	01	8/9	0.86	21.84	1.73	43.94	1.07	27.18	1.61	40.89	1.00	25.40
10	10	01	03	10/11	0.98	24.89	1.85	46.99	1.19	30.23	1.73	43.94	1.13	28.70
12	12	01	05	12/13	1.16	29.46	1.87	47.50	1.32	33.53	1.75	44.45	1.26	32.00
14	14	03	07	14/15	1.28	32.51	1.94	49.28	1.44	36.58	1.82	46.23	1.32	33.53
16	16	05	09	16/17	1.41	35.81	2.03	51.56	1.57	39.88	1.91	48.51	1.44	36.58
18	18	06	10	18/19	1.52	38.61	2.2	55.88	1.75	44.45	2.08	52.83	1.63	41.40
20	20	08	12	20/21	1.64	41.66	2.2	55.88	1.75	44.45	2.08	52.83	1.63	41.40
22	22	09	13	22/23	1.77	44.96	2.31	58.67	2	50.80	2.19	55.63	1.88	47.75
24	24	10	14	24/25	1.89	48.01	2.31	58.67	2	50.80	2.19	55.63	1.88	47.75

NOT APPLICABLE FOR S.A.E

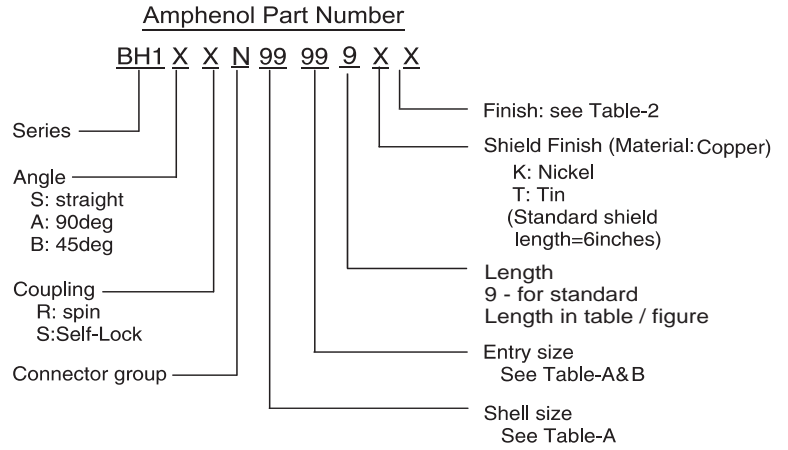
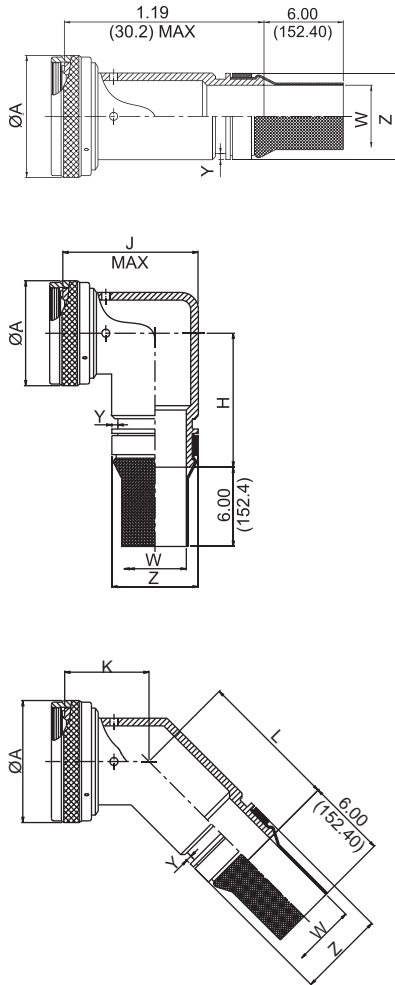


TABLE - B						
ENTRY SIZE	W ±0.020	W ±0.508	Y +0.008 -0.000	Y +0.200 -0.000	Z MAX	Z MAX
	(INCH)	(MM)	(INCH)	(MM)	(INCH)	(MM)
01	0.250	6.35	0.044	1.12	0.56	14.22
02	0.312	7.92	0.044	1.12	0.63	16.00
03	0.375	9.53	0.044	1.12	0.69	17.53
04	0.438	11.13	0.044	1.12	0.75	19.05
05	0.500	12.70	0.044	1.12	0.82	20.83
06	0.562	14.27	0.044	1.12	0.89	22.61
07	0.625	15.88	0.044	1.12	0.95	24.13
08	0.688	17.48	0.044	1.12	1.02	25.91
09	0.750	19.05	0.069	1.75	1.07	27.18
10	0.812	20.62	0.069	1.75	1.13	28.70
11	0.875	22.23	0.069	1.75	1.19	30.23
12	0.938	23.83	0.069	1.75	1.26	32.00
13	1.000	25.40	0.069	1.75	1.32	33.53
14	1.125	28.575	0.069	1.75	1.47	37.34



### Connector Group - N

Straight, 90°, 45°



NOTE: \* For more cable entry and length options, contact factory

TABLE - A														
PART NUMBER DESIGNATOR				CONNECTOR SHELL SIZE	A DIA. (MAX)		H (MAX)		J (MAX)		L (MAX)		K (MAX)	
SHELL SIZE - MIL	SHELL SIZE- AMPHENOL	ALLOWABLE ENTRY SIZE			INCH	MM	INCH	MM	INCH	MM	INCH	MM	INCH	MM
		MIN	MAX											
08	08	-	01	8/9	0.86	21.84	1.73	43.94	1.07	27.18	1.61	40.89	1.00	25.40
10	10	01	03	10/11	0.98	24.89	1.85	46.99	1.19	30.23	1.73	43.94	1.13	28.70
12	12	01	05	12/13	1.16	29.46	1.87	47.50	1.32	33.53	1.75	44.45	1.26	32.00
14	14	03	07	14/15	1.28	32.51	1.94	49.28	1.44	36.58	1.82	46.23	1.32	33.53
16	16	05	09	16/17	1.41	35.81	2.03	51.56	1.57	39.88	1.91	48.51	1.44	36.58
18	18	06	10	18/19	1.52	38.61	2.2	55.88	1.75	44.45	2.08	52.83	1.63	41.40
20	20	08	12	20/21	1.64	41.66	2.2	55.88	1.75	44.45	2.08	52.83	1.63	41.40
22	22	09	13	22/23	1.77	44.96	2.31	58.67	2	50.80	2.19	55.63	1.88	47.75
24	24	10	14	24/25	1.89	48.01	2.31	58.67	2	50.80	2.19	55.63	1.88	47.75

NOT APPLICABLE FOR S.A.E

TABLE - B						
ENTRY SIZE	W ±0.020	W ±0.508	Y +0.008 -0.000 (INCH)	Y +0.200 -0.000 (MM)	Z MAX	Z MAX
	(INCH)	(MM)	(INCH)	(MM)	(INCH)	(MM)
01	0.250	6.35	0.044	1.12	0.56	14.22
02	0.312	7.92	0.044	1.12	0.63	16.00
03	0.375	9.53	0.044	1.12	0.69	17.53
04	0.438	11.13	0.044	1.12	0.75	19.05
05	0.500	12.70	0.044	1.12	0.82	20.83
06	0.562	14.27	0.044	1.12	0.89	22.61
07	0.625	15.88	0.044	1.12	0.95	24.13
08	0.688	17.48	0.044	1.12	1.02	25.91
09	0.750	19.05	0.069	1.75	1.07	27.18
10	0.812	20.62	0.069	1.75	1.13	28.70
11	0.875	22.23	0.069	1.75	1.19	30.23
12	0.938	23.83	0.069	1.75	1.26	32.00
13	1.000	25.40	0.069	1.75	1.32	33.53
14	1.125	28.575	0.069	1.75	1.47	37.34

