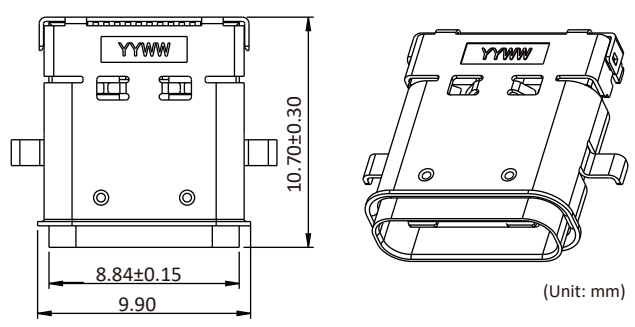
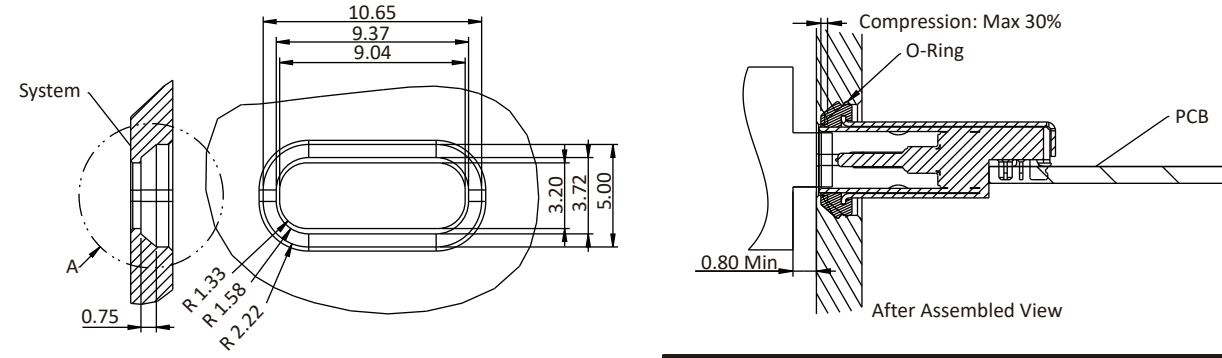


Type C SWIFT - LP

SWIFT - LP



Assembly Type	Transfer Speed	Nominal Current	Part Number
<small>Connector/Contact Gender: Female Connector Female Contact</small>			
Snap In	Up To 10Gbps	Up To 5A	Receptacle, IP67 (Unmated)
			UC-00PFFH-QF7001 (PCB Pin Length: 0.6mm) UC-00PFFH-QF7002 (PCB Pin Length: 1.2mm)
			Receptacle, IP68 (Unmated)
			UC-00PFFH-QF8001 (PCB Pin Length: 0.6mm) UC-00PFFH-QF8002 (PCB Pin Length: 1.2mm)

Packing Information

