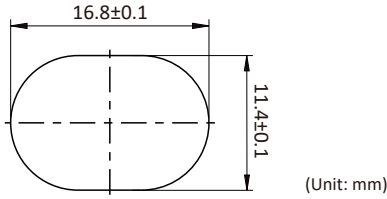
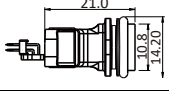
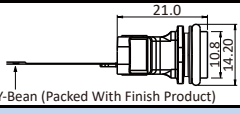
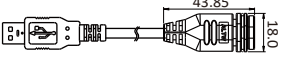
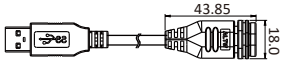
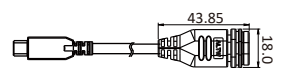
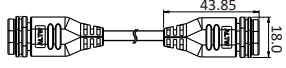
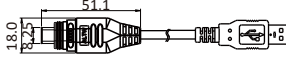
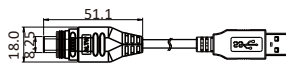
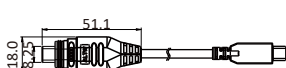
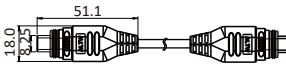
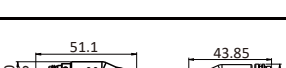


Panel Cut Out



Specification		Type C
Rated Voltage (AC/DC)		30V (DC)
Nominal Current		Up to 3A
Data Transfer Rate		Up to 5Gbps
Plastic / Metal		Plastic
Receptacle, Square Flange, USB 3.2 Gen 2, IP68 (Unmated)		
Nut Torque Value: 3.5 ~ 5 kgf.cm Recommended Panel Thickness: max 4.0mm		
	180° PCB Type Female Connector Female Contact	UC-00PFFP-QS8001
 Y-Beam (Packed With Finish Product)	Y-beam, Flex. PCB Female Connector Female Contact	UC-00PFFY-QS8001*
STRAIGHT-TO-NON-WATERPROOF PLUG, Overmolded With Cable Double Ended, IP67 (Mated)		
⑩ Cable Length: USB 2.0: (A05) 0.5M ~ (005) 5M, USB 3.2 Gen 1: (A05) 0.5M ~ (003) 3M		
	End 1 Type C (2.0): Female Connector Female Contact End 2 Non-Waterproof Type A: Male Connector Male Contact	UC20FL-NAML-QA ⑩
	End 1 Type C (3.2 Gen 1): Female Connector Female Contact End 2 Non-Waterproof Type A: Male Connector Male Contact	UC30FL-NAML-QB ⑩*
	End 1 Type C (3.2 Gen 1): Female Connector Female Contact End 2 Non-Waterproof Type C: Male Connector Male Contact	UC30FL-NCML-QB ⑩
STRAIGHT-TO-STRAIGHT, Overmolded Double-Ended Cable Assembly, IP67 (Mated)		
⑩ Cable Length: USB 3.2 Gen 2: (A05) 0.5M ~ (003) 3M		
	End 1 Type C: Female Connector Female Contact End 2 Type C: Female Connector Female Contact	UC30FL-UCFL-QA ⑩*
STRAIGHT-TO-NON-WATERPROOF PLUG, Overmolded With Cable Double Ended, IP67 (Mated)		
⑩ Cable Length: USB 2.0: (A05) 0.5M ~ (005) 5M, USB 3.2 Gen 2: (A05) 0.5M ~ (003) 3M		
	End 1 Type C (2.0): Male Connector Male Contact End 2 Non-Waterproof Type A: Male Connector Male Contact	UC20ML-NAML-QA ⑩
	End 1 Type C (3.2 Gen 1): Male Connector Male Contact End 2 Non-Waterproof Type A: Male Connector Male Contact	UC30ML-NAML-QB ⑩*
	End 1 Type C (3.2 Gen 1): Male Connector Male Contact End 2 Non-Waterproof Type C: Male Connector Male Contact	UC30ML-NCML-QB ⑩
STRAIGHT-TO-WATERPROOF PLUG, Overmolded With Cable Double Ended, IP67 (Mated)		
⑩ Cable Length: USB 2.0: USB 3.2 Gen 2: (A05) 0.5M ~ (003) 3M		
	End 1 Type C: Male Connector Male Contact End 2 Type C: Male Connector Male Contact	UC30ML-UCML-QB ⑩*
	End 1 Type C: Male Connector Male Contact End 2 Type C: Female Connector Female Contact	UC30ML-UCFL-QB ⑩*

Mating

Pair