

Insertion-Extraction Hold-Down



Insertion-Extraction Hold-Down

CONSTRUCTION

Materials

- » Composite knob
- » Aluminum cup, hinge, and extractor with anodize finish
- » Aluminum shaft with anodize finish and dry film lubrication
- » RoHS compliant

Fasteners

- » Installation via #6-32 (.138-32) UNC screws using standard tooling

SPECIFICATIONS

Performance Standards

- » BPS-C-157
- » RTCA/DO-160G

Designed for use with Equipment

- » ARINC 404A
- » ARINC 600
- » ARINC 628
- » ARINC 704A
- » ARINC 738A-1

Weight

- » 41g

FUNCTION & BENEFITS

Function

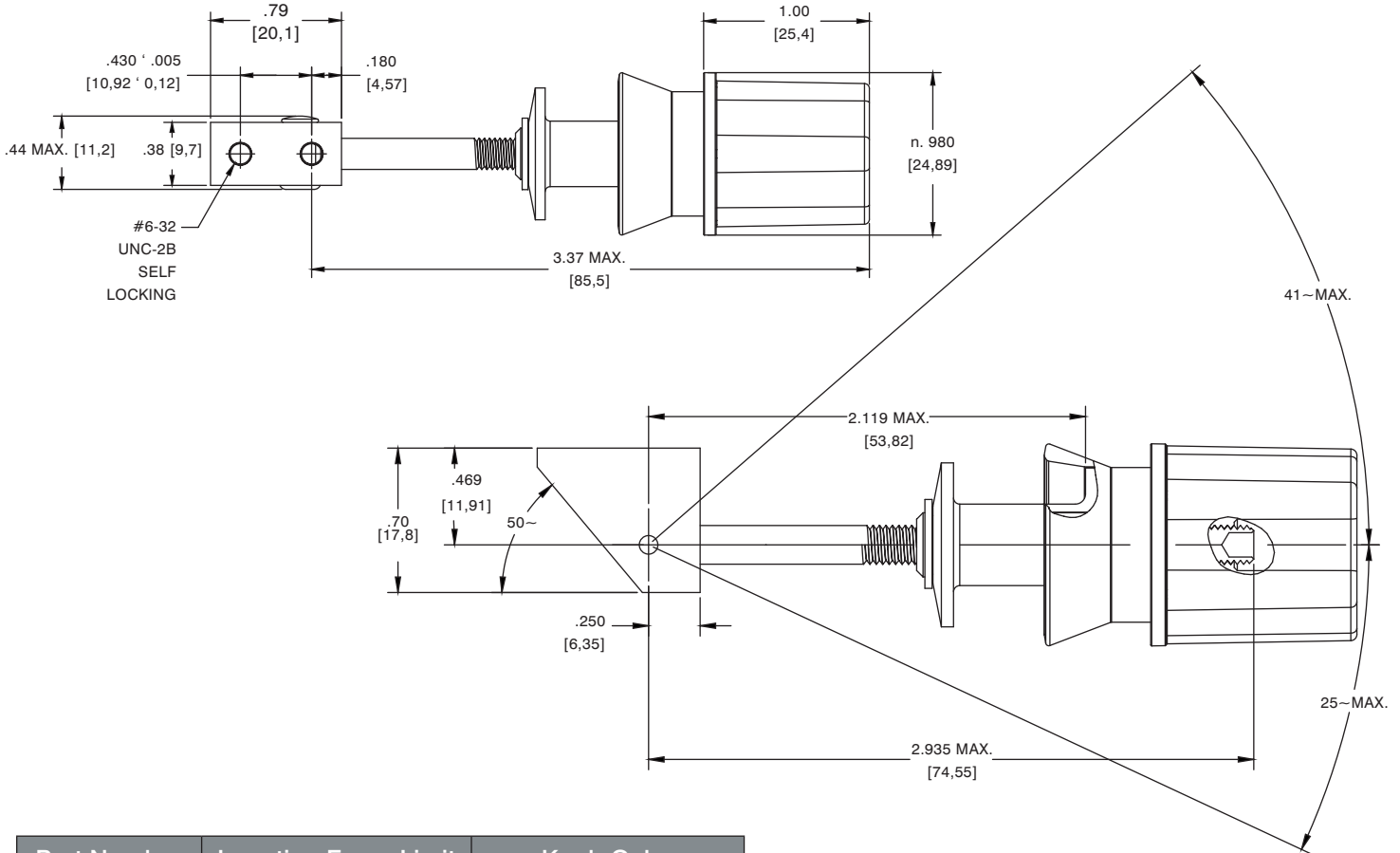
- » Force limiting clutch
- » Jammed mechanism release per ARINC 600
- » 7/8" socket drive body
- » Minimum 1/2" extraction of LRU



Lightweight Tray with Insertion-Extraction Hold-Downs

Insertion-Extraction Hold-Down

Note: Dimensions are in inches, bracketed [numbers] represent millimeters.



Part Number	Insertion Force Limit	Knob Color
200-33899-101	140±40 lbs	Black

TESTED TO MEET THE FOLLOWING REQUIREMENTS

Operational Shock

- » RTCA/DO-160G section 7.2.1, 6 g 11 ms terminal sawtooth (3 shocks in all 6 directions)

Crash Safety Impulse

- » RTCA/DO-160G section 7.3.1, 20 g (1 shock in all 6 directions)

Crash Safety Sustained

- » RTCA/DO-160G section 7.3.3, 20 g (3 seconds minimum in all 6 directions)

Robust Vibration

- » RTCA/DO-160G section 8.7.2, Random Category R, Curve B3 & B4

High Power Short Duration Engine Imbalance

- » RTCA/DO-160G section 8.6, Sinusoidal Category H, Curve R

Mechanical Endurance

- » 250 Cycles Minimum



See CarlisleIT's line of Trays, Racks and Enclosures at:
CarlisleIT.com/products/structures

+1 (800) 458-9960
Sales@CarlisleIT.com