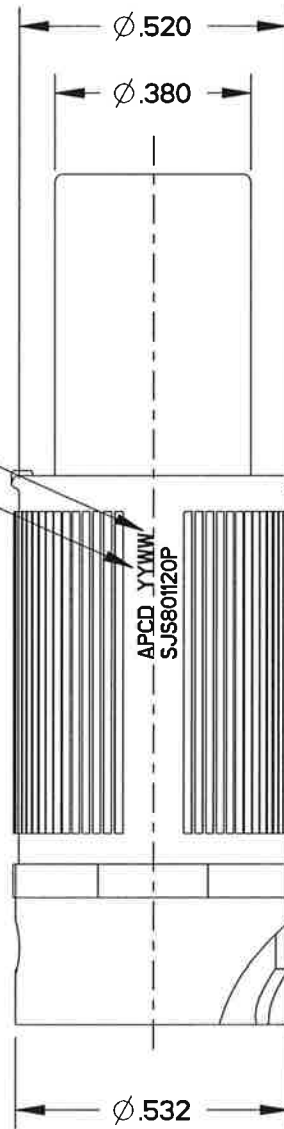
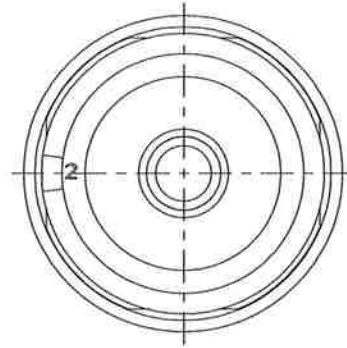
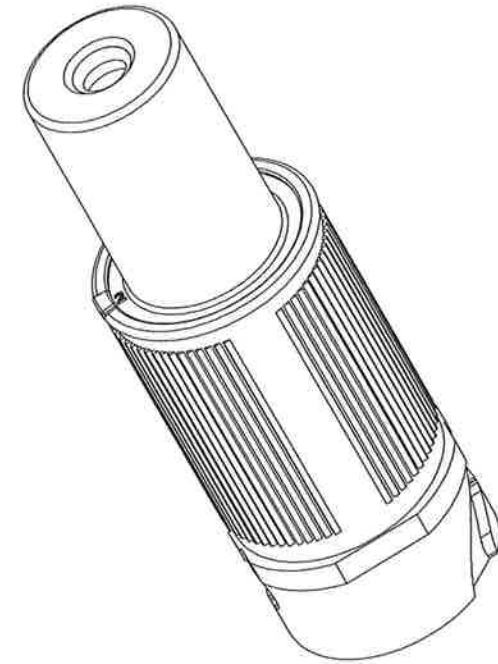
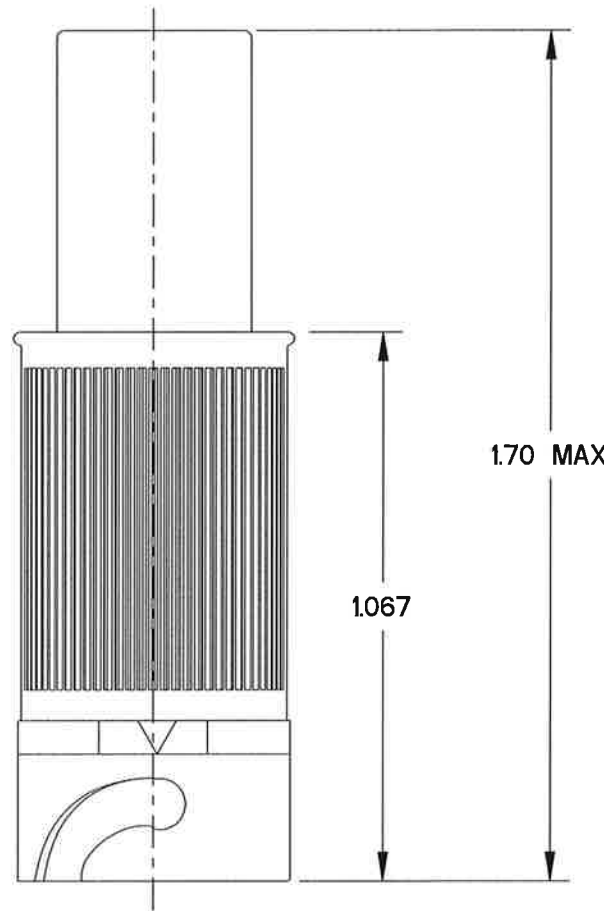


REV	ECN	APP'D
-	7754	JT 5/5/16
A	8000	MD 4/26/17



DATE CODE  
PART MARKING  
FONT HEIGHT: .04  
COLOR: BLACK



- NOTES:**
- MATERIALS:**  
HOUSING: ULTEM CRS5011, COLOR: BLACK  
CONTACT RETAINER: STAINLESS STEEL  
FACE SEAL: SILICONE RUBBER PER A-A-59588, COLOR: RED  
SEALING BOOT: SILICONE RUBBER PER A-A-59588, COLOR: BLUE
  - FINISH:**  
HOUSING: NICKEL, 200 MICROINCHES MINIMUM OVER COPPER, 120 MICROINCHES MINIMUM
  - ACCEPTS CONTACTS PER TABLE I (SHEET 2)
  - SEALING BOOT IS INSTALLED IN WIRE END, REMOVE BEFORE ASSEMBLY OF CONTACT
  - PART MATES WITH SJS80110P(-X)
  - WEIGHT: 4.2 GRAMS
  - SUPPLIED WITH DUST CAP

<b>DIMENSIONS</b> ANSI Y14.5M UNITS: INCHES Pro/E FILE	<b>TOLERANCES</b> .XX ±0.01 .XXX ±0.005 ANGLES ±2.0°	<b>PROJECTION</b> 	<b>Amphenol Pcd</b> SPECIFICATION DRAWING		<b>TITLE</b> INLINE RECEPTACLE SJS PEGASUS HIGH SPEED SHELL SIZE 8, ONE POS SIZE 8	
			DRWN Mickey.Zhang Jul-16-15	ENGR <i>[Signature]</i> 4/26/17	APPD <i>[Signature]</i> 4/26/17	SIZE <b>B</b>
ORIGINAL	THIS DOCUMENT CONTAINS PROPRIETARY INFORMATION WHICH IS THE CONFIDENTIAL PROPERTY OF AMPHENOL PCD INC., BEVERLY, MA			CODE: 58982	SCALE: 8:3	SHEET 1 OF 2

SJS801120P

SJS801120P

TABLE I: ORDERING OPTIONS					MATING PLUG	
CONTACT TYPE	APCD KIT PN	CONTACT PN	SUPPORTED CABLE TYPE(S)	IMPEDANCE ( $\Omega$ )	APCD KIT PN	CONTACT PN
<b>CONNECTOR ONLY</b>	SJS801120P	NONE SUPPLIED	REFERENCE(S) BELOW	REFERENCE(S) BELOW	SJS801110P	NONE SUPPLIED
<b>POWER</b>	SJS801120P-1	CNP808100	8 - 10 AWG	N/A	SJS801110P-1	CNS808100
<b>DIFFERENTIAL TWINAX</b>	SJS801120P-2	CNP882100	ABS0386WF24	100	SJS801110P-2	CNS882100
	SJS801120P-3	CNP882110	ASNE0272TK22	100	SJS801110P-3	CNS882110
	SJS801120P-4	CNP882120	ASNE0272TK24	100	SJS801110P-4	CNS882120
	SJS801120P-5	CNP882130	ASNE0807WX26	100	SJS801110P-5	CNS882130
	SJS801120P-6	CNP882140	TENSOLITE 24463/9P025X-2(LD)	100	SJS801110P-6	CNS882140
	SJS801120P-7	CNP882150	GC875TM24H	77	SJS801110P-7	CNS882150
<b>QUADRAX</b>	SJS801120P-8	CNP882300	ABS0972, ABS1503KD24	100	SJS801110P-8	CNS882200
	SJS801120P-9	CNP882310	TENSOLITE NF24Q100, NF24Q100-01, NF24Q100-01-200C, 24443/9P025X-4(LD), 24443/03130X-4(LD), 24443/0120X-4(LD), 24443/03166X-4(LD); TYCO CECRWC-18664; GORE GSC-01-81869-01; THERMAX T956-4T200, MX100Q-24; PIC WIRE E51424; S280W502-4, BMS1372T03C04G024	100	SJS801110P-9	CNS882210
	SJS801120P-10	CNP882320	DRAKA FILECA F4703-3	100	SJS801110P-10	CNS882220
	SJS801120P-11	CNP882330	TENSOLITE 26473/02006X-4(LD); GORE RCN8328	150	SJS801110P-11	CNS882230
	SJS801120P-12	CNP882340	JSFY02-1	110	SJS801110P-12	CNS882240
	SJS801120P-13	CNP882350	TENSOLITE NF22Q100; DRAKA FILECA F4704-5	100	SJS801110P-13	CNS882250

A

SJS801120P

SJS801120P

SIZE	DWG NO.	REV
<b>B</b>	<b>SJS801120P</b>	<b>A</b>
CODE: 58982	SCALE: 8:3	SHEET 2 OF 2