

Amphenol CTF-4G-2

Amphenol Aerospace offers the Fiber to Copper Converter product line, a flexible, affordable, and rugged fiber copper converter system with many options available.

This Amphenol connector will transform your high speed needs to a new level. We have taken two technologies and combined them into a hybrid connector. Now you can transfer high speed data seamlessly from copper to fiber and from fiber to copper.

Features and Benefits:

- No need for internal subsystem fiber harnesses, interconnect, or transceivers
- Utilizes copper transceivers and existing interconnect (backplane, harnessing, faceplate) for system fiber connection
- Media conversion at the connector reduces system complexity and cost
- APH Epoxy staking protects delicate fiber components for environment and assembly process

Overall Unit Dimensions:

- Connector + dog house
- 13 shell size + flex copper assembly; other shell sizes available
- PC tails available

Fiber Interface:

- Jamnut or flange mount
- Shell size 13 38999; options for EPX/ARINC 400/600
- MS29504 system fiber interface; options for expanded beam/ARINC 801/MT
- 2X bi-directional interfaces
- Speeds of 1G, 2G, 4G, 10Gbps
- Interface support for 1/2/4/8G FC and 1/10GbE; option for DVI, SFPD

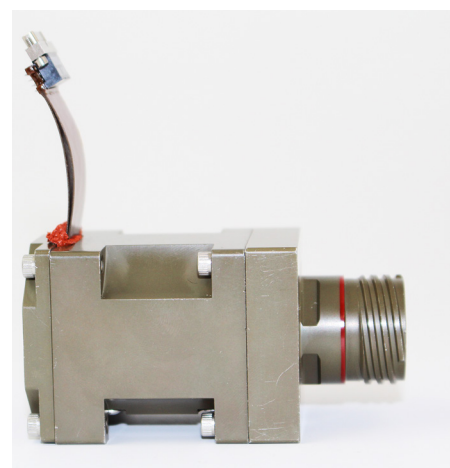
Copper Interface:

- 2X high speed channels on 6.5 Gbps capable split pair quadrx PC tails or flex assembly
- Interfaces for power, diagnostics, and others

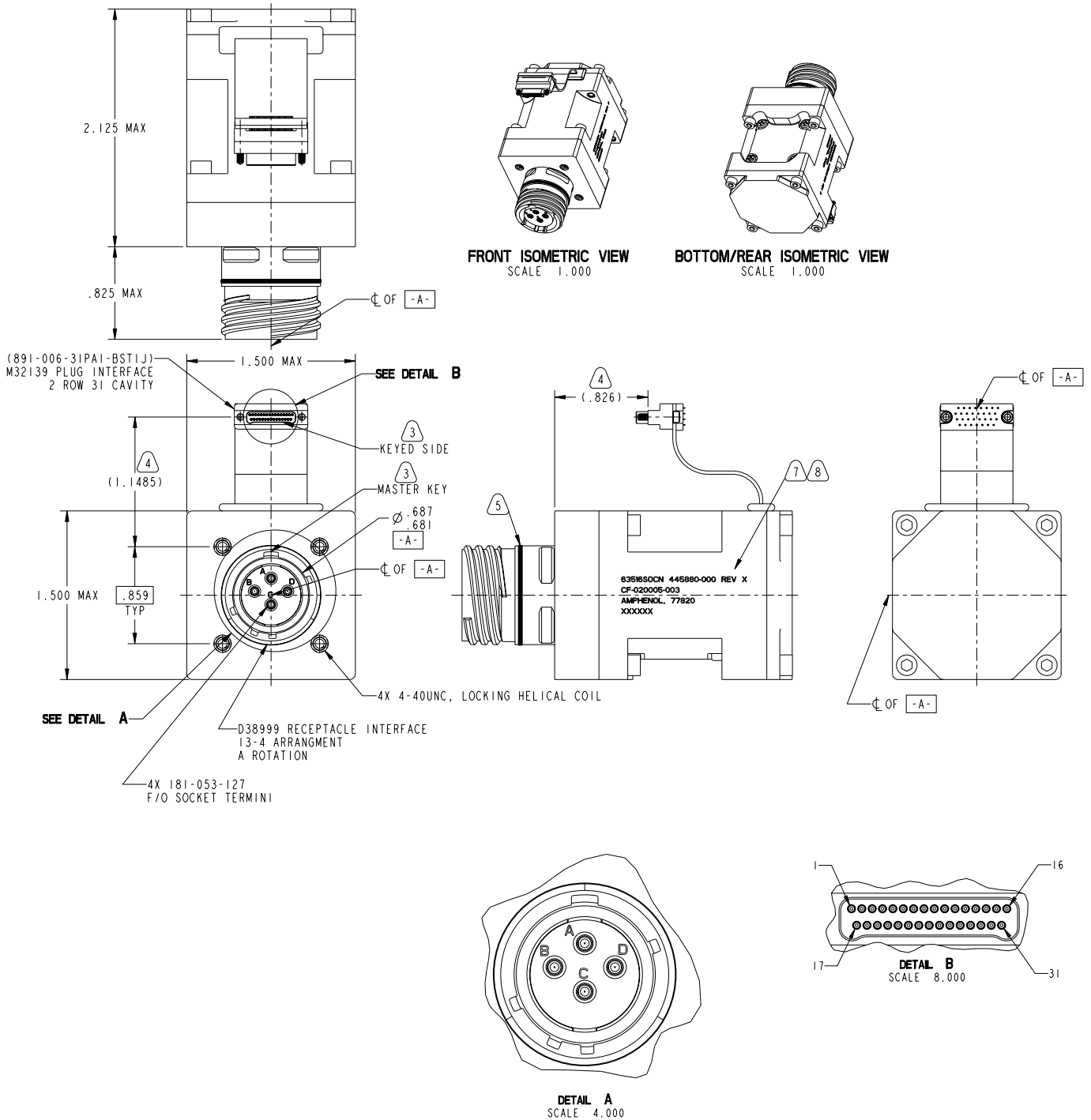
Ruggedization:

- Full ruggedization for environmental and EMI/EMP
- Interfaces for power, diagnostics, and more

Contact Jared Sibrava for more information at jsibrava@amphenol-aa.com or call 607-563-5372



Amphenol CTF-4G-2



Contact Jared Sibrava for more information at jsibrava@amphenol-ao.com or call 607-563-5372



The Interconnection Leader

Call 800-678-0141 or visit us at www.amphenol-aerospace.com