

M28876 Fiber Optic Connectors



Contents

About M28876.....	3
Cable Assemblies.....	4
MIL-PRF-28876 Product Specifications	5
MIL-SPEC Ordering Nomenclature	6
Backshell Ordering Nomenclature	7
COTS Ordering Nomenclature	8
Plug Connectors	9
Wall Mount Receptacles	10
Jam Nut Receptacles.....	13
Backshells	14
Dust Cover Ordering Nomenclature	15
Insert Arrangements.....	16
Keying Arrangements	17
Other Shipboard Products	18
Termination Kits, Tools, MQJs & Training	19



M28876 Connector Series

Amphenol Fiber Systems International (AFSI) is a leading producer and supplier of M28876 connectors to the US Navy and allied navies around the world. Our stringently toleranced and precision machined connectors, manufactured at our state-of-the-art, ISO 9001:2000 certified factory in Allen, Texas, U.S.A., are designed to provide superior optical performance in the harshest of environments.

Features & Benefits

- Qualified to MIL-PRF-28876 specifications
- Low insertion loss (-0.35dB typ MM, -0.35dB typ SM)
- Compatible with single mode or multimode termini
- Full environmental sealing
- Available in 3 shell sizes
 - ◆ Shell 13 – 4 channels
 - ◆ Shell 15 – 6 channels or 8 channels
 - ◆ Shell 23 – 18 channels or 31 channels
- Available in 6 keying options (1 through 6)
- Backshells, featuring AFSI's exclusive Quickloc cable captivation system, available in straight, 45 degree and 90 degree versions
- Hybrid (COTS only) versions available
- Fully field maintainable in accordance with MIL-STD-2042

Quickloc Backshells

Our exclusive Quickloc cable captivation system can be quickly installed on virtually any military or tactical cable. Quickloc allows individual termini to be serviced, repositioned or cleaned without complete backshell disassembly. Additionally, all Quickloc components are reusable, so cable repairs are speedy and cost-effective. Quickloc is standard on all AFSI M28876 backshells.



Cable Assemblies

Amphenol Fiber Systems International (AFSI) is one of the world's leading manufacturers of harsh environment fiber optic connectors that are rugged, reliable and cost-effective. Among our valued customers are virtually every major defense company in the United States, the U.S. Army and Navy and many international defense organizations.

All AFSI cable assemblies are manufactured by expert technicians in our state-of-the-art, ISO 9001:2000 certified facility. This ensures that our processes and practices are optimized for the unique requirements of fiber optic cable assemblies rather than one-size-fits-all electrical assemblies.

Our goal is to exceed customer requirements with every cable assembly. AFSI is able to assist in designing and building custom cable assemblies or building to a customer print. Our technicians are trained to MIL-STD-2042B and a variety of other procedures critical to manufacturing harsh environment fiber optic cable assemblies. An optical test report is included with every cable built. If other tests are required, AFSI is capable of testing either in-house or contracting with one of our test laboratory partners.



MIL-PRF-28876 Product Specifications

Specification	Measurement/Detail
Mating Durability	500 cycles per EIA/TIA-455-21
Vibration	EIA/TIA-455-11, Test Condition II & VII, 30 minutes / Axis
Mechanical Shock	MIL-STD-901, Grade A, Class I
Thermal Shock	-40°C to +70°C, EIA/TIA-455-11, Test Condition II & VII, 30 minutes / Axis
Thermal Cycling	-5°C to +25°C, 5 cycles per EIA/TIA-455-3
Corrosion Resistance	500 hour salt spray per EIA/TIA-455-16, Test Condition I
Ozone Exposure	150 ppm for 2 hours per EIA/TIA-455-189
Humidity	240 hours @ 98% RH per EIA/TIA-455-5, Method B
Fluid Immersion	EIA/TIA-455-12
Crush Resistance	7 tests @ 1250 Newtons per EIA/TIA-455-26
Maintenance Aging	Terminus insertion and removal, 10 times
Terminus Retention Force	22 lbs for 5 seconds
Insert Retention Axial	100 psi torque for 1 minute
Cable Pull Out Force	162 lbs for 10 minutes per EIA/TIA-455-6
Cable Sealing Flexing	200 cycles at 180° flex per EIA/TIA-455-1
Impact	8 drops @ 7 feet rotated each time per EIA/TIA-455-2, Method B
Flammability	0.75 inch flame for 10 seconds mated, 1.5 inch flame for 60 seconds unmated per EIA/TIA-364-81
Operating Temperature	-28°C to +65°C
Storage Temperature	-40°C to +70°C
Insertion Loss (Multimode)	-0.35 dB typ (62.5/125)
Insertion Loss (Single Mode)	-0.35 dB typ (9/125)
Back Reflection (Single Mode)	-50 dB typ
Connector Insert	Aluminum Alloy, Anodized
Connector & Backshells	Aluminum Alloy, CAD Plate
Cable Sealing, Strain Relief	Polyolefin, Self-Encapsulating

MIL-SPEC Ordering Nomenclature

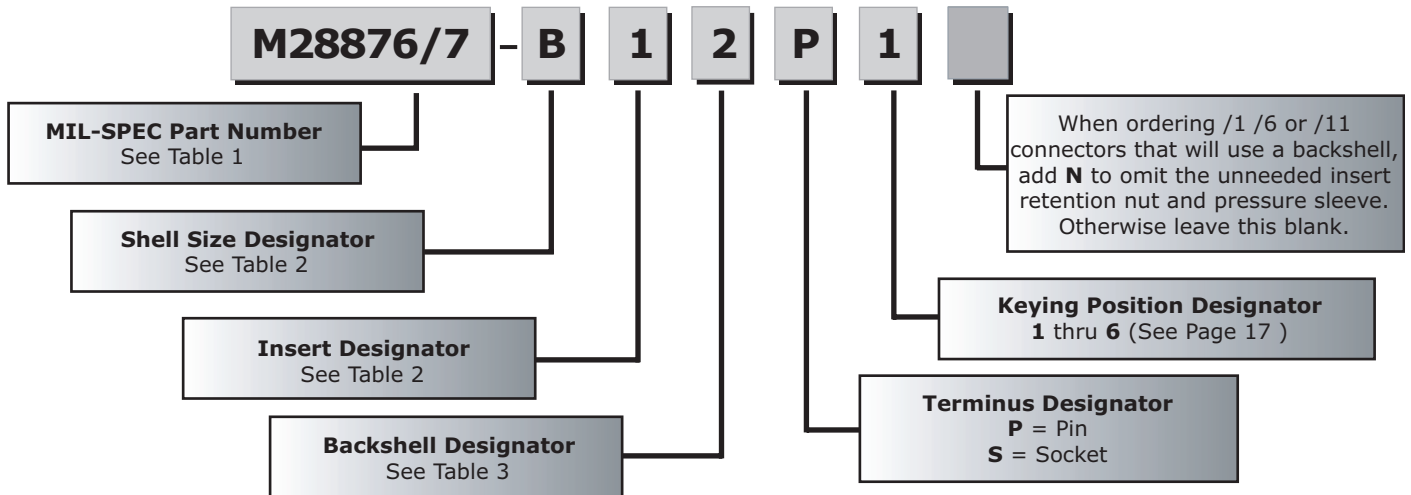


Table 1		
Connector Type	Strain Relief	MIL-SPEC Part Number
Receptacle, Wall Mount	None	M28876/1
	Straight	M28876/2
	45°	M28876/3
	90°	M28876/4
Plug	None	M28876/6
	Straight	M28876/7
	45°	M28876/8
	90°	M28876/9
Receptacle, Jam Nut	None	M28876/11
	Straight	M28876/12
	45°	M28876/13
	90°	M28876/14

Example Part Number - M28876/7-B12P1

M28876/7 - Plug with Straight Backshell
B - Shell Size 13
1 - 4 Cavities
2 - 0.305-0.346 Inch Cable Diameter
P - Pin
1 - Key 1

Table 2			
Shell Size	Shell Size Designator	Insert Designator	Number of Cavities
13	B	1	4
15	C	1	8
		2	6
23	F	1	31
		2	18

Table 3			
Backshell Designator	Maximum Allowable Cable Diameter by Shell Size, Inches (mm)		
	Shell Size 13	Shell Size 15	Shell Size 23
1	0.285 (7.24)	0.500 (12.70)	0.866 (22.00)
2	0.346 (8.79)	0.250 (6.35)	1.000 (25.40)
3	0.453 (11.50)	0.375 (9.53)	.600 (15.24)

Backshells Ordering Nomenclature

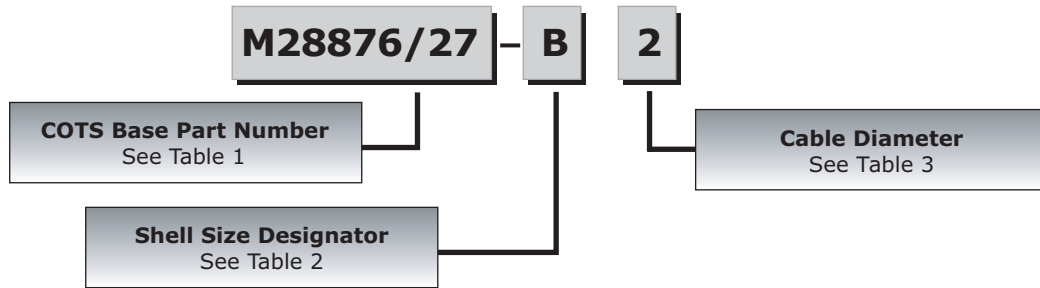


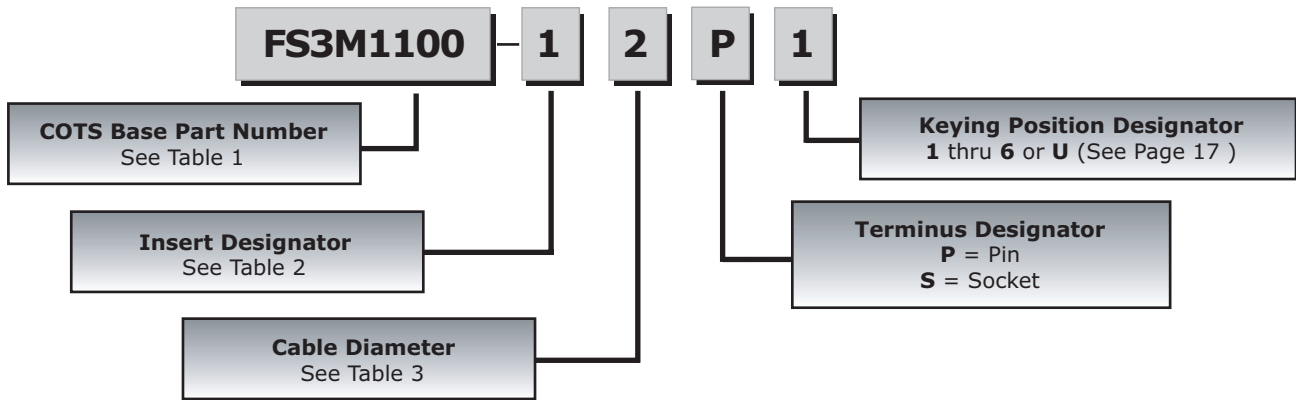
Table 1				
Backshell Type	MIL-SPEC Part Number	COTS Base Part Number		
		Shell 13	Shell 15	Shell 23
Straight Backshell Assembly Only	M28876/27	FS3A1000	FS3A4000	FS3F4000
45° Backshell Assembly Only	M28876/28	FS3A2000	FS3A5000	FS3F5000
90° Backshell Assembly Only	M28876/29	FS3B3000	FS3A6000	FS3F6000

Table 2	
Shell Size	Shell Size Designator
13	B
15	C
23	F

Table 3			
Backshell Designator	Maximum Allowable Cable Diameter by Shell Size, Inches (mm)		
	Shell Size 13	Shell Size 15	Shell Size 23
1	0.280-0.315 (7.11-8.00)	0.495-0.515 (12.57-13.08)	0.768-0.866 (19.50-22.00)
2	0.305-0.346 (7.75-8.79)	0.380-0.423 (9.65-10.74)	0.900-1.000 (22.86-25.40)
3		0.423-0.465 (10.74-11.81)	
4		0.305-0.346 (7.75-8.78)	

COTS Ordering Nomenclature

Plugs & Receptacles With Backshells



Example Part Number - FS3M1100-12P1

FS3M1100 - Plug with Straight Backshell, Shell Size 13
1 - 4 Cavities
2 - 0.305-0.346 Inch Cable Diameter
P - Pin
1 - Key 1

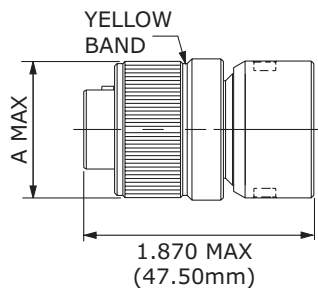
Table 1					
Connector Type	Strain Relief	COTS Base Part Number			MIL-SPEC Equivalent
		Shell 13	Shell 15	Shell 23	
Receptacle, Wall Mount	Straight	FS3M6100	FS3M7400	FS3M4400	M28876/2
	45°	FS3M6200	FS3M7500	FS3M4500	M28876/3
	90°	FS3M6300	FS3M7600	FS3M4600	M28876/4
Plug	Straight	FS3M1100	FS3M2400	FS3M3400	M28876/7
	45°	FS3M1200	FS3M2500	FS3M3500	M28876/8
	90°	FS3M1300	FS3M2600	FS3M3600	M28876/9
Receptacle, Jam Nut	Straight	FS3M8100	FS3M9400	FS3M5400	M28876/12
	45°	FS3M8200	FS3M9500	FS3M5500	M28876/13
	90°	FS3M8300	FS3M9600	FS3M5600	M28876/14

Table 2			
Shell Size	Shell Size Designator	Insert Designator	Number of Cavities
13	B	1	4
15	C	1	8
		2	6
23	F	1	31
		2	18

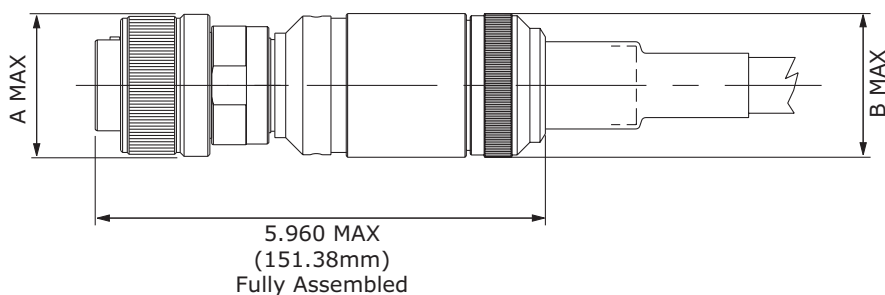
Table 3			
Backshell Designator	Maximum Allowable Cable Diameter by Shell Size, Inches (mm)		
	Shell Size 13	Shell Size 15	Shell Size 23
1	0.280-0.315 (7.11-8.00)	0.495-0.515 (12.57-13.08)	0.768-0.866 (19.50-22.00)
2	0.305-0.346 (7.75-8.80)	0.380-0.423 (9.65-10.74)	0.900-1.000 (22.86-25.40)
3		0.423-0.465 (10.75-11.81)	0.550-0.660 (13.97-16.76)
4		0.305-0.346 (7.75-8.80)	0.660-0.768 (16.76-19.50)
5		0.347-0.379 (8.813-9.626)	
6		0.250-0.304 (6.350-7.721)	

Plug Connectors

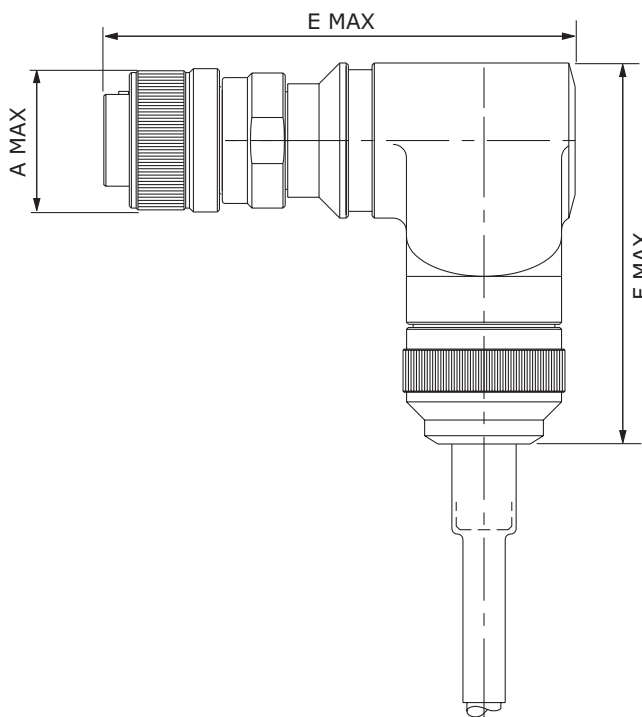
M28876/6 Plug



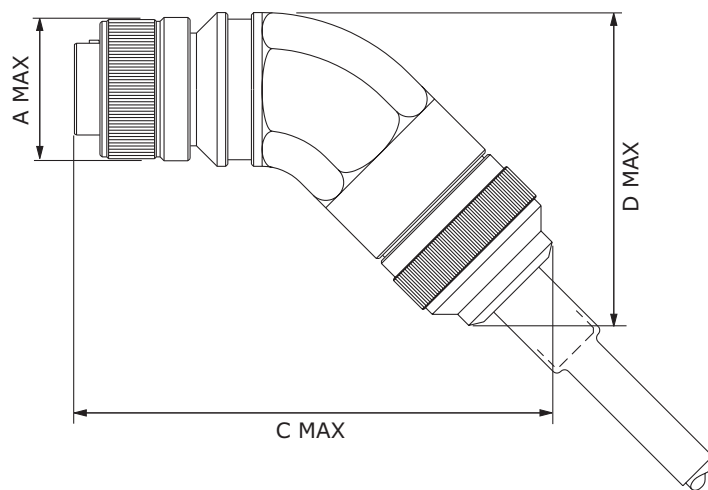
M28876/7 Plug with Straight Backshell



M28876/9 Plug with 90° Backshell



M28876/8 Plug with 45° Backshell

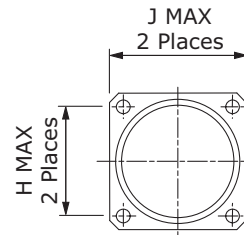
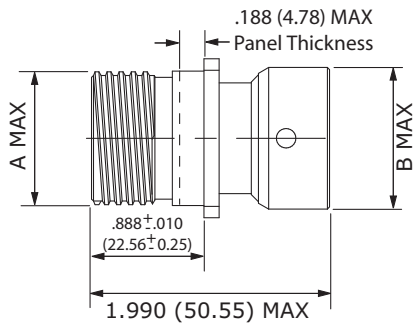


Dimension Table for Plugs

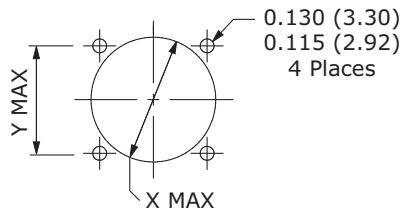
Shell Size	A MAX	B MAX	C MAX	D MAX	E MAX	F MAX
13	1.141 (28.98)	1.085 (27.56)	6.160 (156.46)	3.580 (90.93)	4.190 (106.43)	4.250 (107.95)
15	1.263 (32.08)	1.255 (31.88)	6.440 (163.58)	3.850 (97.79)	4.440 (112.78)	4.500 (114.30)
23	1.705 (43.31)	1.763 (44.78)	7.350 (186.69)	5.000 (127.00)	4.850 (123.19)	5.000 (127.00)

Wall Mount Receptacles

M28876/1 Wall Mount Receptacle



Wall Mount Panel Cutout



Dimension Table for Wall Mount Receptacles
Panel Cutout

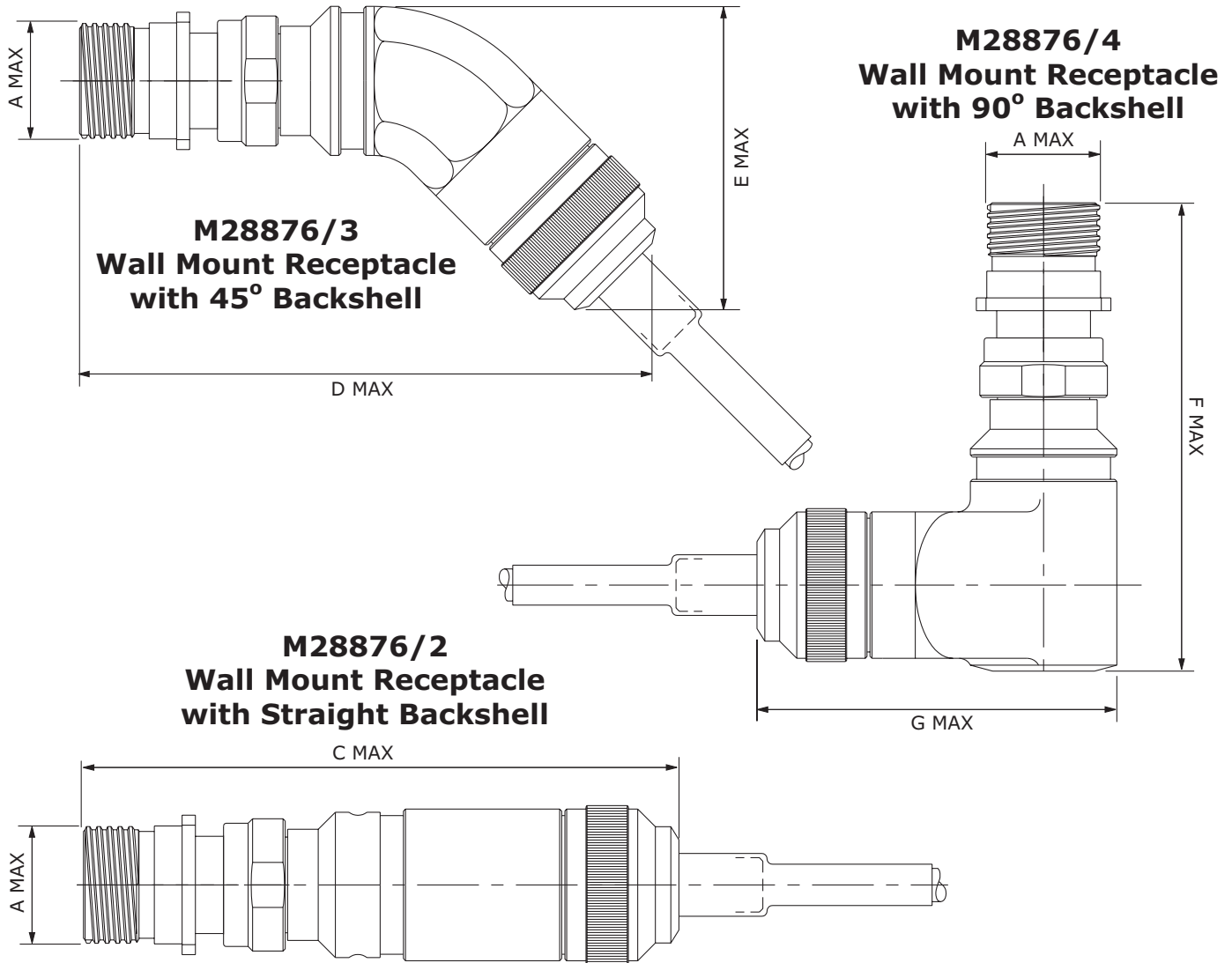
Shell Size	X ±.005 (0.13)	Y ±.005 (0.13)
13	0.937 (23.80)	0.843 (21.41)
15	1.124 (28.55)	0.968 (24.59)
23	1.562 (39.67)	1.281 (32.54)

Dimension Table for Wall Mount Receptacles

Shell Size	A MAX	B MAX	C MAX	D MAX	E MAX	F MAX	G MAX	H MAX	J MAX
13	0.875 (22.23)	1.085 (27.56)	6.150 (156.21)	6.220 (157.99)	3.580 (90.93)	4.250 (107.95)	4.250 (107.95)	0.843 (21.41)	1.158 (29.41) 1.116 (28.35)
15	1.062 (26.97)	1.257 (31.93)	6.150 (156.21)	6.500 (165.10)	3.850 (97.79)	4.500 (114.30)	4.500 (114.30)	0.968 (24.59)	1.278 (32.46) 1.236 (31.39)
23	1.500 (38.10)	1.965 (43.05)	6.150 (156.21)	7.500 (190.50)	5.000 (127.00)	5.000 (127.00)	5.000 (127.00)	1.281 (32.54)	1.738 (44.15) 1.698 (43.13)

Dimensions are for reference only. Dimensions are in inches & (mm).

Wall Mount Receptacles



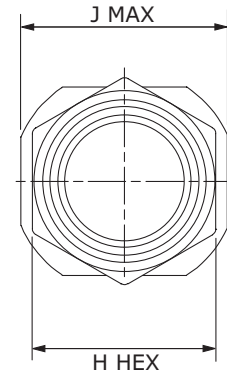
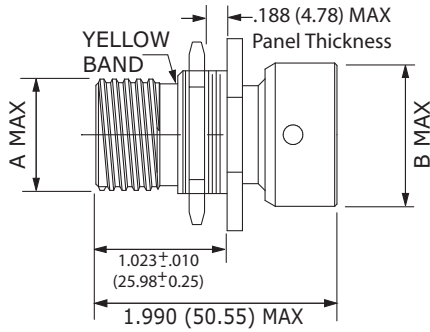
Dimension Table for Wall Mount Receptacles

Shell Size	A MAX	B MAX	C MAX	D MAX	E MAX	F MAX	G MAX	H MAX	J MAX
13	0.875 (22.23)	1.085 (27.56)	6.150 (156.21)	6.220 (157.99)	3.580 (90.93)	4.250 (107.95)	4.250 (107.95)	0.843 (21.41)	1.158 (29.41) 1.116 (28.35)
15	1.062 (26.97)	1.257 (31.93)	6.150 (156.21)	6.500 (165.10)	3.850 (97.79)	4.500 (114.30)	4.500 (114.30)	0.968 (24.59)	1.278 (32.46) 1.236 (31.39)
23	1.500 (38.10)	1.965 (43.05)	6.150 (156.21)	7.500 (190.50)	5.000 (127.00)	5.000 (127.00)	5.000 (127.00)	1.281 (32.54)	1.738 (44.15) 1.698 (43.13)

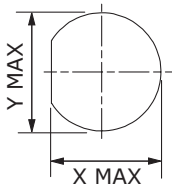
Dimensions are for reference only. Dimensions are in inches & (mm).

Jam Nut Receptacles

M28876/11 Jam Nut Receptacle



Jam Nut Panel Cutout



Dimension Table for Jam Nut Receptacles
Panel Cutout

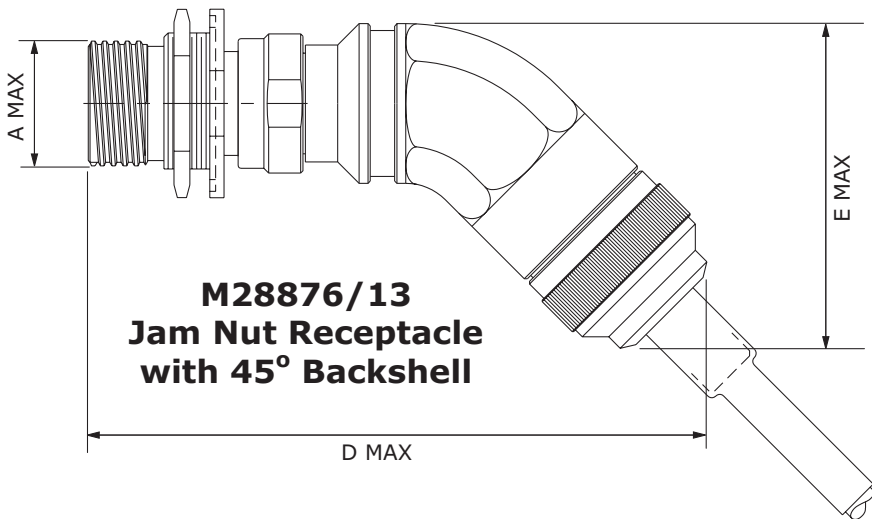
Shell Size	X ±.005 (0.13)	Y ±.005 (0.13)
13	0.973 (24.71)	1.010 (25.65)
15	1.160 (29.46)	1.198 (30.43)
23	1.593 (40.46)	1.630 (41.40)

Dimension Table for Jam Nut Receptacles

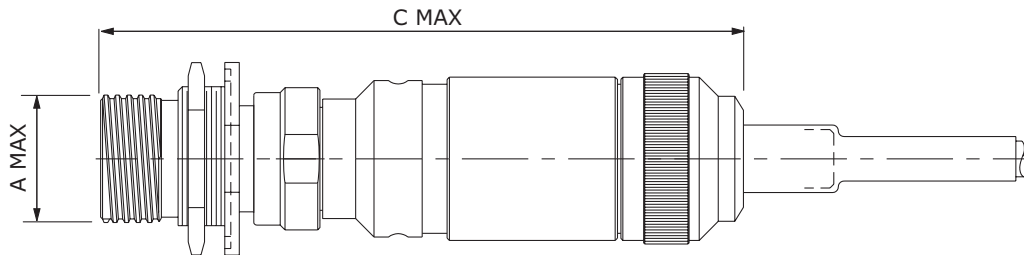
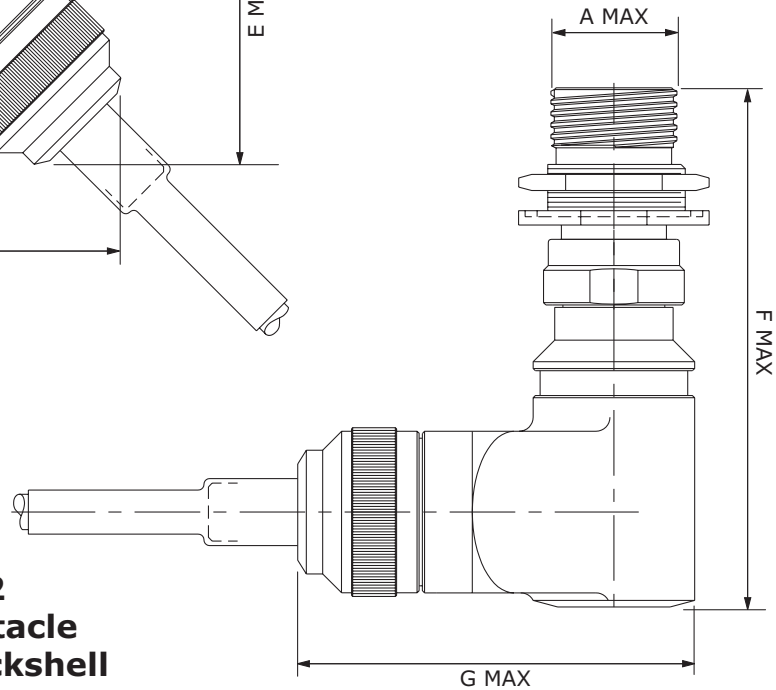
Shell Size	A MAX	B MAX	C MAX	D MAX	E MAX	F MAX	G MAX	H HEX	J MAX
13	0.875 (22.23)	1.085 (27.56)	6.150 (156.21)	6.220 (157.99)	3.580 (90.93)	4.250 (107.95)	4.250 (107.95)	1.205 (30.61)	1.399 (35.53)
								1.171 (29.74)	1.379 (35.02)
15	1.062 (26.97)	1.255 (31.88)	6.150 (156.21)	6.500 (165.10)	3.850 (97.79)	4.500 (114.30)	4.500 (114.30)	1.392 (35.36)	1.587 (40.31)
								1.358 (34.49)	1.567 (39.80)
23	1.500 (38.10)	1.703 (43.26)	6.150 (156.21)	7.500 (190.50)	5.000 (127.00)	7.500 (190.50)	5.000 (127.00)	1.812 (46.02)	2.014 (51.66)
								1.778 (45.16)	1.994 (50.65)

Dimensions are for reference only. Dimensions are in inches & (mm).

Jam Nut Receptacles



**M28876/14
Jam Nut Receptacle
with 90° Backshell**



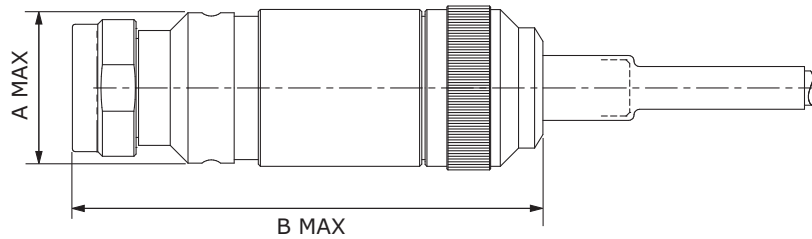
Dimension Table for Jam Nut Receptacles

Shell Size	A MAX	B MAX	C MAX	D MAX	E MAX	F MAX	G MAX	H HEX	J MAX
13	0.875 (22.23)	1.085 (27.56)	6.150 (156.21)	6.220 (157.99)	3.580 (90.93)	4.250 (107.95)	4.250 (107.95)	0.843 (21.41)	1.158 (29.41) 1.116 (28.35)
15	1.062 (26.97)	1.257 (31.93)	6.150 (156.21)	6.500 (165.10)	3.850 (97.79)	4.500 (114.30)	4.500 (114.30)	0.968 (24.59)	1.278 (32.46) 1.236 (31.39)
23	1.500 (38.10)	1.965 (43.05)	6.150 (156.21)	7.500 (190.50)	5.000 (127.00)	5.000 (127.00)	5.000 (127.00)	1.281 (32.54)	1.738 (44.15) 1.698 (43.13)

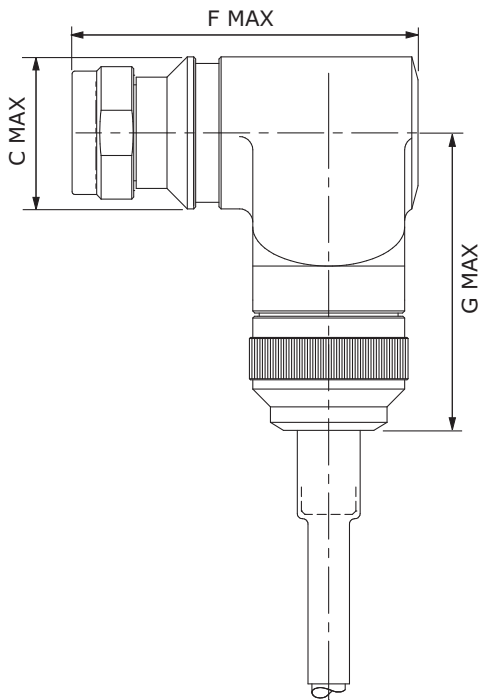
Dimensions are for reference only. Dimensions are in inches & (mm).

Backshells

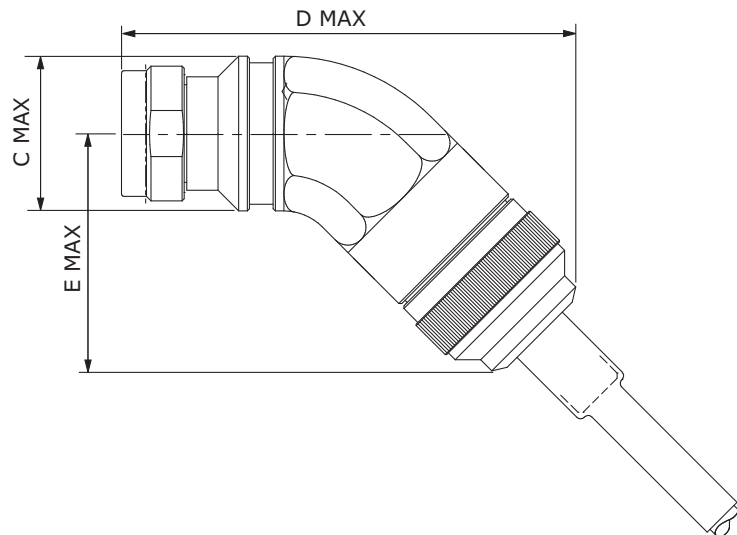
M28876/27 Straight Backshell



M28876/29 90° Backshell



M28876/28 45° Backshell



Dimension Table for Backshells

Shell Size	A MAX	B MAX	C MAX	D MAX	E MAX	F MAX	G MAX
13	1.20 (30.50)	4.00 (101.60)	1.20 (30.50)	3.20 (81.28)	3.20 (81.28)	3.20 (81.28)	3.10 (78.74)
15	1.50 (38.00)	4.70 (119.38)	1.30 (33.00)	3.20 (81.28)	3.20 (81.28)	3.20 (81.28)	3.10 (78.74)
23	2.250 (57.15)	6.50 (165.10)	2.25 (57.15)	6.50 (165.10)	4.20 (106.68)	5.000 (127.00)	4.20 (106.68)

Dimensions are for reference only. Dimensions are in inches & (mm).

Dust Cover Ordering Nomenclature

M28876/10

B

B

Table 1	
MIL-SPEC Part Number	
M28876/10	Plug Dust Cap
M28876/15	Receptacle Dust Cap

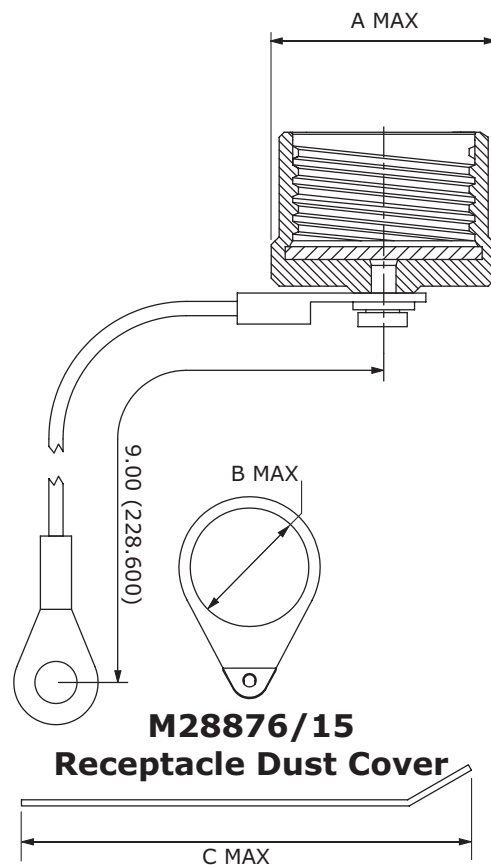
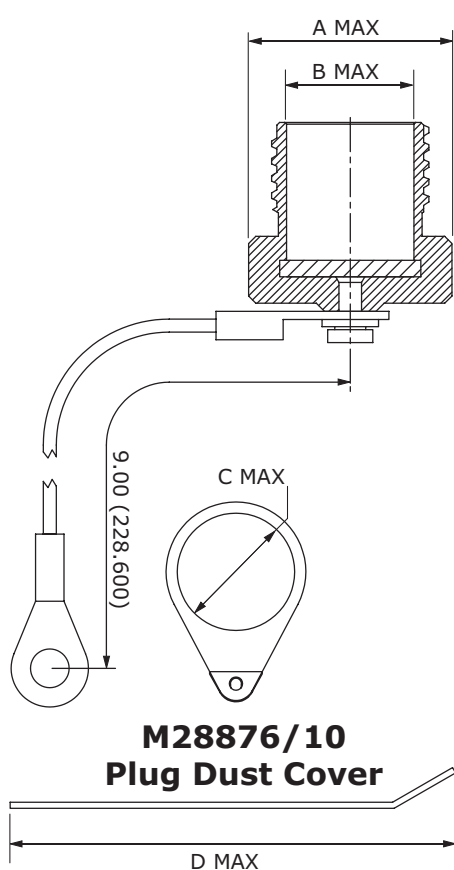
MIL-SPEC Part Number
See Table 1

Lanyard Designator
See Table 3

Shell Size Designator
See Table 2

Table 2	
Shell Size	Shell Size Designator
13	B
15	C
23	F

Table 3	
Lanyard Style	
A	Chain w/fastener
B	Chain w/ring
C	Rope w/fastener
D	Rope w/ring
E	Dust Cap Only



Dimension Table for Plug Dust Caps

Shell Size	A MAX	B MAX	C MAX	D MAX
13	1.141 (28.98)	0.705 (17.90)	0.900 (22.86)	1.800 (45.72)
		0.693 (17.60)	0.880 (22.35)	
15	1.263 (32.08)	0.877 (22.27)	1.025 (26.03)	1.950 (49.53)
		0.865 (21.97)	1.005 (25.53)	
23	1.703 (43.26)	1.299 (32.99)	1.463 (37.16)	2.483 (63.07)
		1.287 (32.69)	1.443 (36.65)	

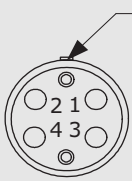
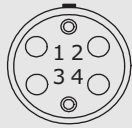
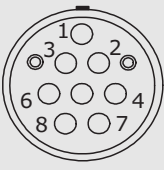
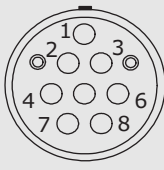
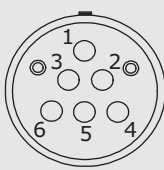
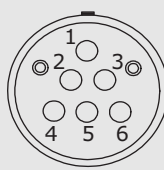
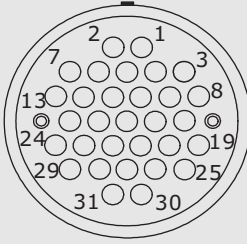
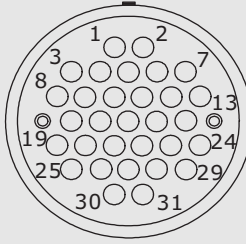
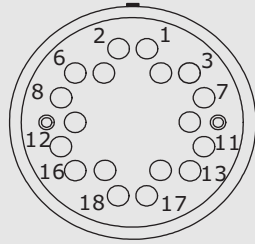
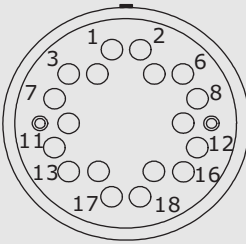
COTS version available in stainless steel. Please call for information.

Dimension Table for Receptacle Dust Caps

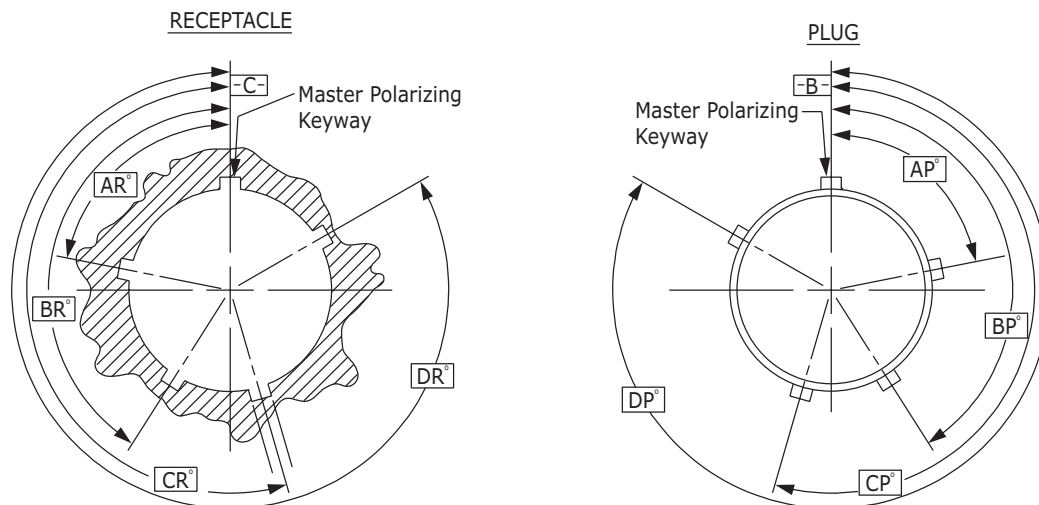
Shell Size	A MAX	B MAX	C MAX
13	1.141 (28.98)	1.025 (26.03)	1.950 (49.53)
		1.005 (25.53)	
15	1.263 (32.08)	1.215 (30.86)	2.050 (52.07)
		1.195 (30.35)	
23	1.703 (43.26)	1.650 (41.91)	2.690 (68.33)
		1.630 (41.40)	

Dimensions are for reference only. Dimensions are in inches & (mm).

Insert Arrangements

		Pin Face	Socket Face		
Shell Size: 13	Shell Size Designator: B	Arrangement Number: 1	Number of Termini: 4	Termini Size: 16	 
Shell Size: 15	Shell Size Designator: C	Arrangement Number: 1	Number of Termini: 8	Termini Size: 16	 
Shell Size: 15	Shell Size Designator: C	Arrangement Number: 2	Number of Termini: 6	Termini Size: 16	 
Shell Size: 23	Shell Size Designator: F	Arrangement Number: 1	Number of Termini: 31	Termini Size: 16	 
Shell Size: 23	Shell Size Designator: F	Arrangement Number: 2	Number of Termini: 18	Termini Size: 16	 

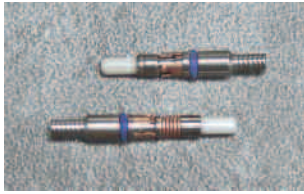
Keying Arrangements



Shell Sizes	Key & Keyway Arrangements	AR ^o or AP ^o BSC	BR ^o or BP ^o BSC	CR ^o or CP ^o BSC	DR ^o or DP ^o BSC
13	U*	—	—	—	—
	1	95	141	208	236
	2	113	156	182	292
	3	90	145	195	252
	4	53	156	220	255
	5	119	146	176	298
	6	51	141	184	242
15	U*	—	—	—	—
	1	80	142	196	293
	2	135	170	200	310
	3	49	169	200	244
	4	66	140	200	257
	5	62	145	180	280
	6	79	153	197	272
23	U*	—	—	—	—
	1	80	142	196	293
	2	135	170	200	310
	3	49	169	200	244
	4	66	140	200	257
	5	62	145	180	280
	6	79	153	197	272

*U indicates universal keying arrangement and is available on commercial equivalent connector only (COTS).

Other Shipboard Products



M29504 /14 & /15 Termini

Features & Benefits

- Pre-radius zirconia ferrule tip provides optimal insertion loss performance
- Laser marked TICC codes eliminate the need to decipher complex color code bands
- Precision ferrule alignment with captivated split zirconia sleeves
- Wide configuration selection
- Superior optical performance
- Custom sizes available (Commercial-off-the-Shelf only)
- Integrated environmental seal on each terminus
- Precision “press fit” terminus design
- Each terminus individually packaged and labeled for ease of identification, storage and use

Applications

- US Navy shipboard, surface and submarine, mission critical combat and communication systems
- Mobile tactical shelters and electronic battlefield networks

Materials

- Ferrule: zirconia ceramic
- Terminus body: stainless steel, passivated
- Retention clip: beryllium copper
- Alignment sleeve: ceramic
- Alignment sleeve hood: beryllium copper
- O-ring seal: fluorosilicone



Military Grade ST Connectors (MIL-C-83522)

Features & Benefits

- Stainless steel body with zirconia ceramic ferrule and fungus-resistant self-extinguishing boot
- Superior optical performance in extreme environmental conditions
- Mil-qualified series: high spring force for shock and vibration resistant critical in military applications
- Navy approved COTS series: for moderate shock and vibration environments
- RoHS compliant

Applications

- US Navy shipboard, surface and submarine, mission critical combat and communications systems
- Mobile tactical shelters
- Electronic battlefield networks
- Deployable outdoor, harsh environment

Materials

- Ferrule: zirconia
- Body: stainless steel
- Boot: fungus resistant, self-extinguishing thermoplastic



FS12 Pierside

Features & Benefits

- Hermaphroditic design
- Rugged design handles the rigors of deployment and harsh environment conditions
- Environmentally sealed connector
- Military qualified MIL-PRF-29504 /14 & /15 termini
- Removable insert cap
- Captive insert cap screw
- Sealed termini keep the optical path clear
- Field repairable using existing parts

Applications

- Umbilical cables used to interface between shore and ship networks
- U.S. Army, Navy, Air Force and Marine Corps tactical and strategic deployments
- Oil, gas and geoscience industries
- Industrial
- Broadcast

Materials

- Aluminum
- Other materials available

Finish

- Grey anodize
- Olive cadmium
- Other finishes available



Optron

Features & Benefits

- Designed IAW MIL-PRF-28876
- Available in 3 shell sizes: 13 (4 ch), 15 (6, 8 ch), 23 (18, 31 ch)
- Inserts are interchangeable from plug to receptacle. Either can be operated with pins or socket termini
- Operates with all qualified single mode or multimode M29504/14 and /15 termini
- Complete line of straight, 45 degree and 90 degree backshells

Applications

- Shipboard/Pierside
- Land tactical
- Mining
- Oil, gas and geoscience industries
- Industrial
- Broadcast

Materials

- Aluminum
- Stainless steel
- Brass
- Other materials available

Finish

- Black anodize
- Other finishes available

Termination Kits, Tools, MQJs & Training



Termination Kits & Tools

Amphenol Fiber Systems International (AFSI) offers kits for terminating most optical connectors in several markets today. These termination kits include: M28876; MIL-ST; M28876/MIL-ST combination; TFOCA and TFOCA-II®. AFSI also offers customized kits. Additionally, we sell cleaning and consumable kits and individual tools to replace broken or misplaced tools.

Measurement Test Cables (MTC)

This product series is designed to meet the highest industry and military standards for testing optical components. These products allow technicians to test and certify their work to the most exacting standards. Our unique fabrication and certification process ensures that only the highest quality, low loss and tight tolerance components are “Certified.” MTC product line includes TFOCA, TFOCA II®, TFOCA-III® and our MIL-STD-2042B “MQJ.”

Measurement Quality Jumpers (MQJs)



Measurement Quality Jumpers (MQJs) are used to assess the performance parameters of standard fiber optic cables. MQJs, which are considered calibrated test equipment, are used as reference standards for fiber optic cables and components. AFSI's MQJs are built to the highest quality standards with the industry's most stringent end face geometry and high-precision polishing requirements. Each MQJ is subjected to extensive testing and verification in AFSI's in-house test facility prior to shipment to customers. AFSI's MQJs are manufactured and assembled in-house with our fully qualified M28876, M83522 and M29504 connectors and

termini.

MIL-STD-2042B Training



AFSI's MIL-STD-2042B based shipboard training course is designed for persons involved in the installation, testing, troubleshooting or maintenance of shipboard fiber optic interconnect systems. Focusing on the M28876 and M83522, EIA/TIA 604-3 (SC) connectors, this class is ideal for all those responsible for the maintenance and installation of shipboard fiber optic networks and is a must-attend course for those who must follow the practices, procedures and specifications as outlined in the MIL-STD-2042B.

Successful completion of the five-day course and test qualifies the student to receive a certification from AFSI on the M28876 connector.

We are also certified by the Electronics Technicians Associations (ETA) to offer the Fiber Optics Installer (FOI) and the Fiber Optics Technician (FOT) certifications for an additional cost.



About Amphenol

Amphenol Corporation is one of the world's leading producers of electronic and fiber optic connectors, cable and interconnect systems. Amphenol products are engineered and manufactured in the Americas, Europe and Asia and sold by a worldwide sales and marketing organization. The primary end markets for the company's products are communication systems for the converging technologies of voice, video and data communications, industrial, automotive, military and aerospace applications.

For more information about Amphenol, visit www.amphenol.com.

About AFSI

Amphenol Fiber Systems International (AFSI) designs, manufactures, markets and supports reliable and innovative fiber optic interconnect solutions that withstand the harsh environments of military, oil & gas, mining and broadcast applications. After more than a decade in business, AFSI continues to uphold its position as a global leader in fiber optic interconnect components and systems such as M28876, MIL-ST, TFOCA and the TFOCA-II® connector, which AFSI developed and patented. Altogether, AFSI has delivered millions of fiber optic connectors in more than 22 countries. Whenever there is a need for superior cost-effective fiber optic systems and products that will stand up to demanding operating environments, you can rely on AFSI for engineering know-how, top-quality products and expert technical support.

For more information about AFSI, visit www.fibersystems.com.

Amphenol Fiber Systems International, Inc.
1300 Central Expressway North, Suite 100
Allen, TX 75013
Phone: 214.547.2400 - 800.472.4225
Fax: 214.547.9344
www.fibersystems.com
info@fibersystems.com

Publication: AFSI-28876 Cat-F-04.08.08. Specifications subject to change without notice.

© Copyright 2008 - Amphenol Fiber Systems International. All rights reserved.

TFOCA-II® & TFOCA-III® are registered trademarks of Amphenol Fiber Systems International.

TFOCA-II® is covered by U.S. Patents 6,305,849; 6,371,660 and 6,357,929