

Accelerometer

FN8-6

SPECIFICATIONS

DYNAMIC (at 20°C)		
Measurement range		± 5 g
Sensitivity (100 Hz)		500 mV/g ± 10%
5°C < T < 25°C		± 1.5% nominal (ref. 20°C)
5°C < T < 55°C		± 3.5% nominal (ref. 20°C)
Transverse sensitivity		< 3%
Nonlinearity, 5°C < T < 25°C		± 1% max (ref. 20°C), typically < 0.3%
Passband:	at ± 10%	5 Hz - 10 kHz
	at ± 3 dB	1 Hz - 16 kHz
Resonance frequency		> 25 kHz
ELECTRICAL (at 20°C)		
Power supply rejection		> 40 dB
Background noise:		
5 Hz - 10 kHz		< 0.1 mg
1/3 octave from 10 Hz to 1 kHz		< 0.02 mg
Electrical noise, equiv. g:		
Spectral	10 Hz	3 µg/√Hz
	100 Hz	0.6 µg/√Hz
	1,000 Hz	0.6 µg/√Hz
Phase dispersion (5 Hz - 2 kHz)		± 1.5° between lots
5°C < T < 25°C		± 0.5° (ref. 20°C)
Power requirement:		
Voltage source		18 - 30 VDC
Current regulating diode		2 - 10 mA
Bias output voltage		9 - 10.5 VDC, 9.5 VDC nominal
Insulation (electronics to case)		50 MΩ, min.
Grounding		case isolated, case connected to outer shield
ENVIRONMENTAL		
Base strain sensitivity		< 0.75 g for 250 µstrain
Acoustic sensitivity		< 0.1 mg
100 dB SPL 1/3 octave		
100 Hz - 10 kHz		
Sensitivity to environment:		
Magnetic (B = 0.75 mT)		< 2 mg
Magnetic (per IT 8839)		< 10 µV, typical
Pressure (700 < P < 1300 mB)		< 0.1 mg
Shock max (half sine, 0.5 ms)		5,000 g
PHYSICAL		
Cable		shielded, twisted pair, halogen-free
Mounting		see drawing on reverse
Dynamic mass		120 grams, nominal
Case material		316L stainless steel

See reverse for dimensions.

Export classification:
USML XX (c)

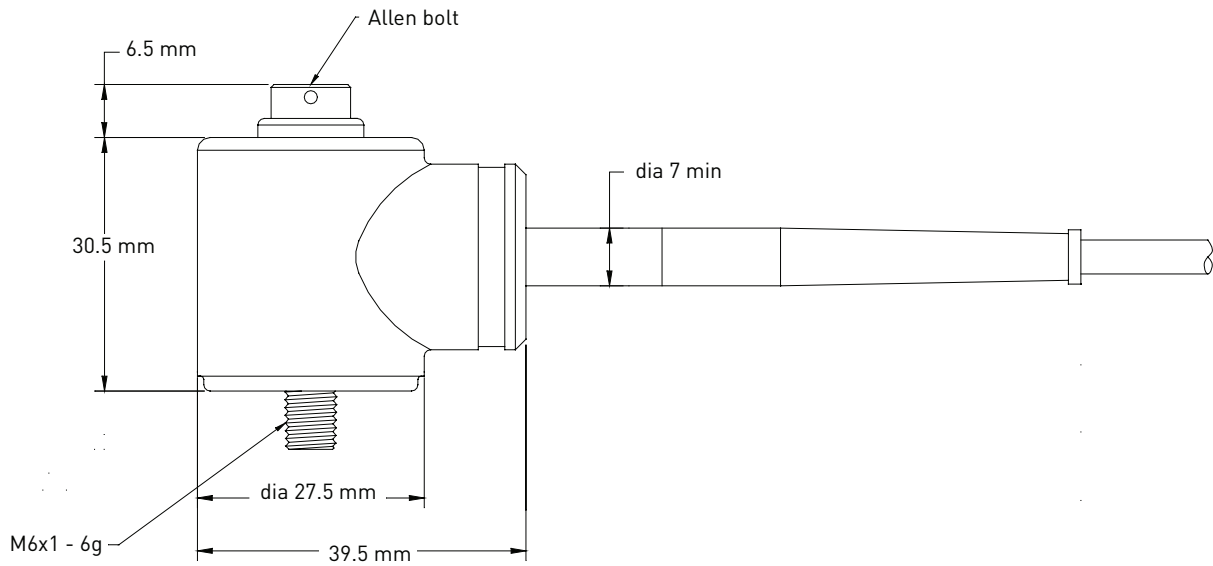
This marketing information is exempt from U.S. export regulations.

Note: Due to continuous process improvement, specifications are subject to change without notice. This document is cleared for public release.

Accelerometer

FN8-6

Dimensions



Note: Due to continuous process improvement, specifications are subject to change without notice.
This document is cleared for public release.