

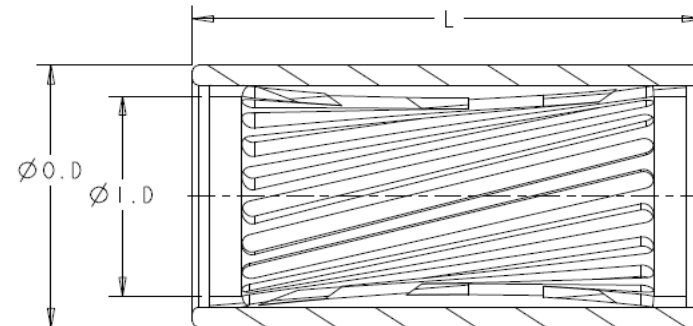
Amphenol RADSOK® R4 High Amperage Contact Spec Sheet

Radsok Size (mm)	Amphenol P/N	Current Rating	AWG	Length	Radsok O.D Nominal	Radsok I.D Nominal	Mating Pin Size +/- 0.02mm +/- .001"	Radial Tolerance mm (Max)	Radial Tolerance inch (Max)	Engagement Force (Min - Max)
2.4	10-691383-00()	35A	12	7.62mm/.300"	3.81mm/.150"	2.55mm/.100"	2.4mm/.0945"	0.075	0.0030	0.4~1.5 lbf
2.4 ST	10-707956-00()	35A	12	8.99mm/.354"	4.29mm/.169"	3.15mm/.124"	2.4mm/.0945"	0.375	0.0148	0.6~2.0 lbf
3.0 ST	10-700292-00()	60A	10	10.97mm/.432"	4.94mm/.1945"	3.75mm/.147"	3.0mm/.118"	0.375	0.0148	1.2~4.5 lbf
3.6	10-691041-00()	70A	8	10.97mm/.432"	4.94mm/.1945"	3.75mm/.147"	3.6mm/.142"	0.075	0.0030	1.2~4.5 lbf
3.6 ST	10-707483-00()	70A	8	12.19mm/.480"	6.4mm/.252"	4.95mm/.195"	3.6mm/.142"	0.675	0.0266	1.2~4.5 lbf
4.8	10-691057-00()	100A	6	12.19mm/.480"	6.4mm/.252"	4.95mm/.195"	4.8mm/.189"	0.075	0.0030	1.5~4.5 lbf
4.8 ST	10-707731-00()	100A	6	13.36mm/.526"	7.62mm/.300"	5.9mm/.232"	4.8mm/.189"	0.55	0.0217	1.5~6.5 lbf
5.7	10-691045-00()	120A	4	13.36mm/.526"	7.62mm/.300"	5.9mm/.232"	5.7mm/.224"	0.1	0.0039	1.5~6.5 lbf
5.7 ST	10-707348-00()	120A	4	14.20mm/.559"	9.28mm/.365"	7.0mm/.276"	5.7mm/.224"	0.65	0.0256	1.0~3.0 lbf
6.0	10-691049-00()	120A	4	19.38mm/.763"	7.92mm/.312"	6.25mm/.246"	6.0mm/.236"	0.125	0.0049	1.5~6.5 lbf
6.0S	10-707498-00()	120A	4	13.79mm/.543"	7.92mm/.312"	6.25mm/.246"	6.0mm/.236"	0.125	0.0049	1.5~6.5 lbf
8.0	10-700061-00()	200A	1/0	19.6mm/.772"	10.97mm/.432"	8.25mm/.325"	8.0mm/.315"	0.125	0.0049	3.0~7.0 lbf
9.1	10-691053-00()	250A	1/0	20.96mm/.825"	12.3mm/.484"	9.5mm/.374"	9.1mm/.358"	0.25	0.0098	3.0~7.0 lbf
10.0 ST	10-700395-00()	300A	2/0	26.04mm/1.025"	13.46mm/.530"	10.8mm/.425"	10.0mm/.394"	0.4	0.0157	3.0~7.0 lbf
10.3	10-691061-00()	350A	3/0	26.04mm/1.025"	13.46mm/.530"	10.8mm/.425"	10.3mm/.4055"	0.25	0.0098	3.0~7.0 lbf
10.3 S	10-707550-00()	300A	2/0	19.5mm/.768"	13.46mm/.530"	10.8mm/.425"	10.3mm/.4055"	0.25	0.0098	3.0~7.0 lbf
12.0	10-690857-00()	400A	4/0	25.2mm/.992"	15.0mm/.591"	12.4mm/.488"	12.0mm/.4724"	0.2	0.0079	3.0~7.0 lbf
14.0	10-691015-00()	500A	350MCM	33.91mm/1.335"	18.03mm/.710"	14.7mm/.579"	14.0mm/.551"	0.35	0.0138	3.0~8.0 lbf
18.0	10-691065-00()	600A		42.93mm/1.69"	21.72mm/.855"	18.45mm/.726"	18.0mm/.709"	0.225	0.0089	9.0~15.0 lbf
23.1	10-691069-00()	1200A	777MCM	43.82mm/1.725"	28.73mm/1.131"	23.9mm/.941"	23.1mm/.909"	0.4	0.0157	15~25 lbf

Note 1: "ST" Represents the Super Twist Radsok® with more radial tolerance; "S" Represents the Radsok® with shorter inner barrel.

Fill P/N with table

PART NUMBER	FINISH
-----00B	NO FINISH
-----001	SILVER
-----004	NICKEL
-----005	GOLD
-----006	GOLD/SILVER



Revision History:

A	Initial release	2013-4-12
B	Add size 2.4 ST&10.3 S	2013-6-14