



Amphenol

Industrial

POWER|LOK® SERIES

POWER | LOK®

DESCRIPTION AND CHARACTERISTICS

- QUICK LOCKING FEATURE WITH SECONDARY LOCK
- METAL RECEPTACLE SHELL WITH HVIL INTEGRATED
- COPPER FUSIONLUG WITH INTEGRATED RADSOK R4
- AVAILABLE PRE-ASSEMBLED WITH OVERMOLDED CABLE ON THE PLUG SIDE
- AVAILABLE ALSO WITH EXPOSED CRIMP BARREL FOR CUSTOMER TERMINATION
- CURRENT RATING 60AMP UP TO 500AMP AT 80C (600AMP AT 20C)
- VOLTAGE RATING 1000V
- AVAILABLE WITH DIFFERENT COLOUR CODINGS AND MECHANICAL KEYING OPTIONS
- ROHS & REACH COMPLIANT
- IP67-IP6K9K IN MATED CONDITION
- IP2X IN UNMATED CONDITION
- MECHANICAL KEYING OPTIONS
- RIGHT ANGLE AND STRAIGHT PLUG AVAILABLE
- EMI CABLE TERMINATION
- 1-4 POLES AVAILABLE DEPNDING BY SIZE

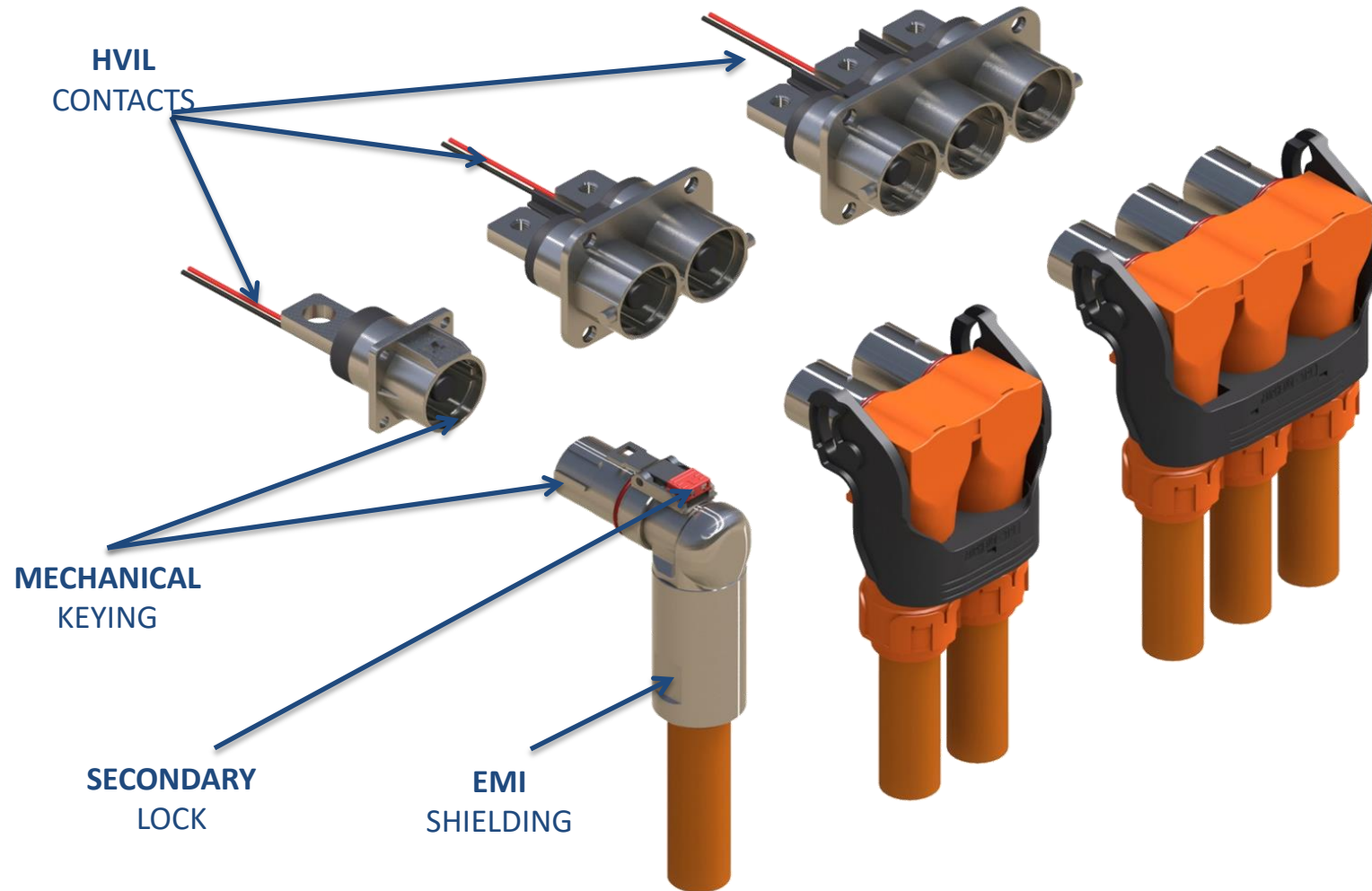


AVAIABLE SIZES

- PL40 AND PL60 AVAILABLE IN 2, 3 AND 4 POLES + HVIL AND HANDLES CABLES FROM 2,5MM² TO 10MM²
- PL120 AVAILABLE IN 1 AND 2 POLES + HVIL AND HANDLES CABLES FROM 16MM² TO 25MM²
- PL200 AVAILABLE IN SINGLE POLE ONLY + HVIL AND HANDLES CABLES FROM 35MM² TO 50MM²
- PL300 AVAILABLE IN 1, 2 AND 3 POLES + HVIL AND HANDLES CABLES FROM 70MM² TO 95MM²
- PL400 AND PL500 AVAILABLE IN SINGLE POLE ONLY + HVIL AND HANDLES CABLES FROM 95MM² TO 150MM²



POWER | LOK® OVERVIEW



HVIL
CONTACTS

MECHANICAL
KEYING

SECONDARY
LOCK

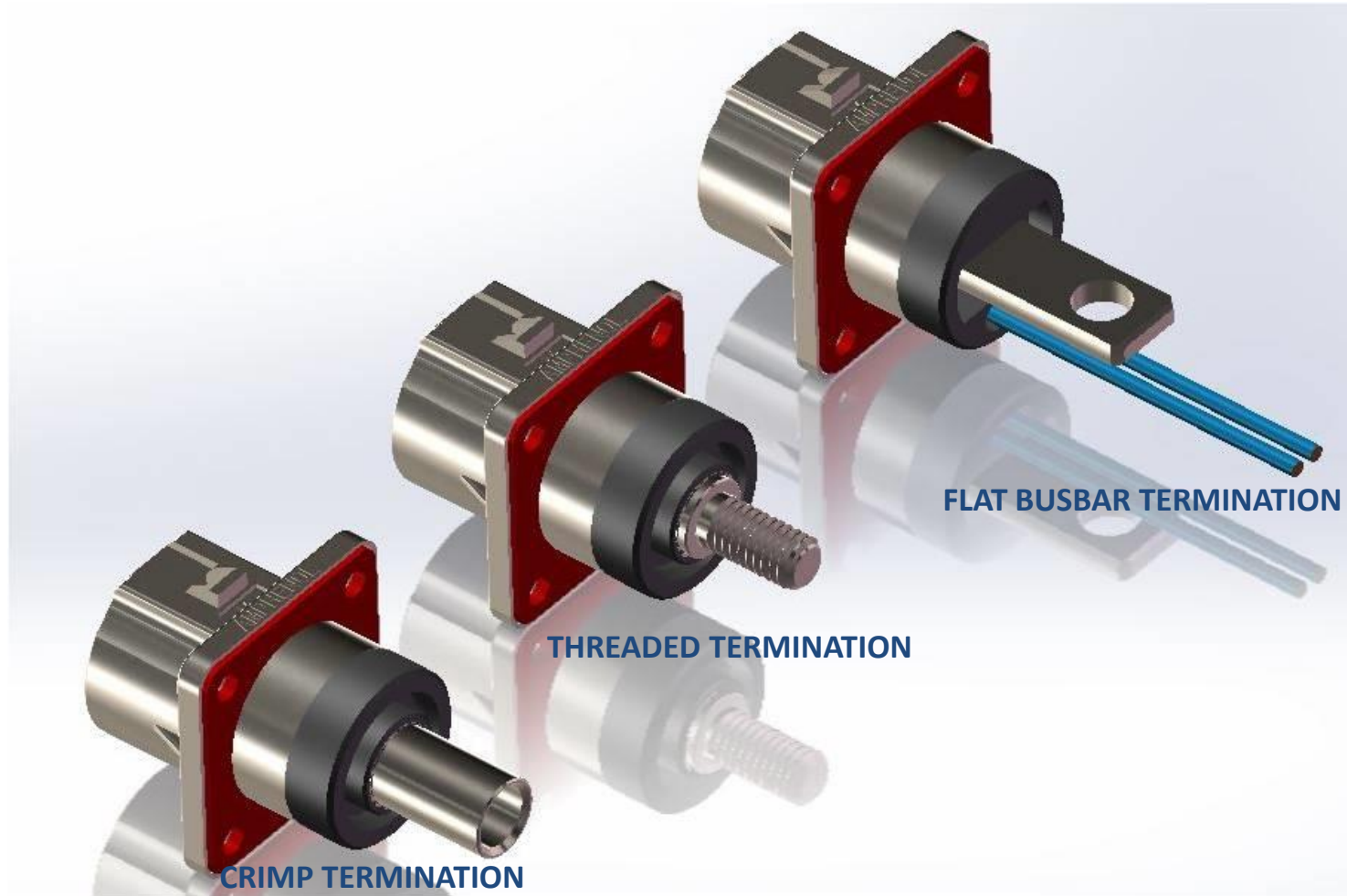
EMI
SHIELDING

IP6K9K MATED - IP2X UNMATED

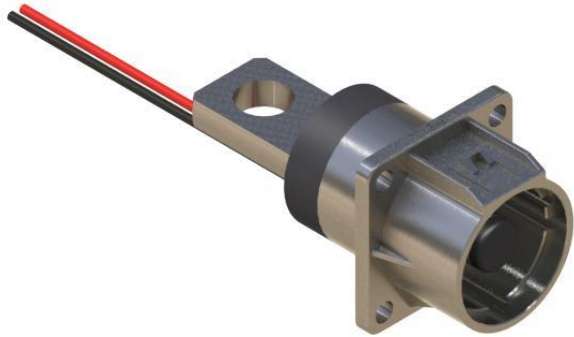
60A TO 700A
OPERATING CURRENT

RADSOK®
CONTACT TECHNOLOGY

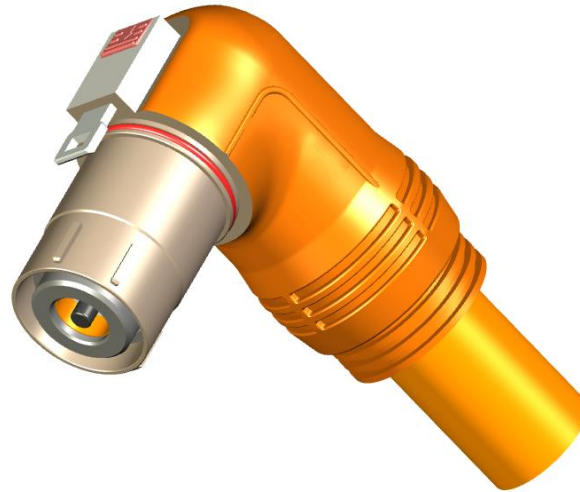
POWER | LOK® RECEPTACLE TERMINATION OPTION



POWER|LOK® PL500 & PL400 SINGLE WAY OVERMOLDED TYPE



PL00X-401 & PL00X-501
1 POLE + HVIL RECEPTACLE

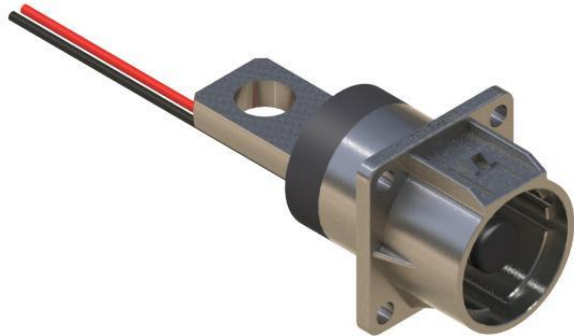


PL20X-401 & PL20X-501
1 POLE + HVIL R/A PLUG OVERMOLDED



PL10X-401 & PL10X-501
1 POLE + HVIL STRAIGHT PLUG OVERMOLDED

POWER | LOK® PL300 SINGLE WAY INSTALLABLE TYPE



PL00X-301
1 POLE + HVIL RECEPTACLE

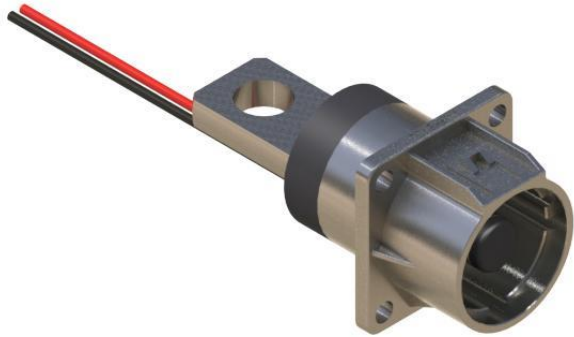


PL28X-301
1 POLE + HVIL R/A PLUG

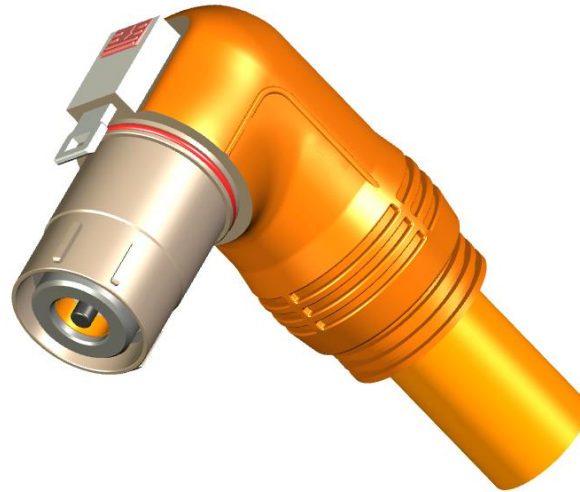


PL18X-301
1 POLE + HVIL STRAIGHT PLUG

POWER | LOK® PL300 SINGLE WAY OVERMOLDED TYPE



PL00X-301
1 POLE + HVIL RECEPTACLE

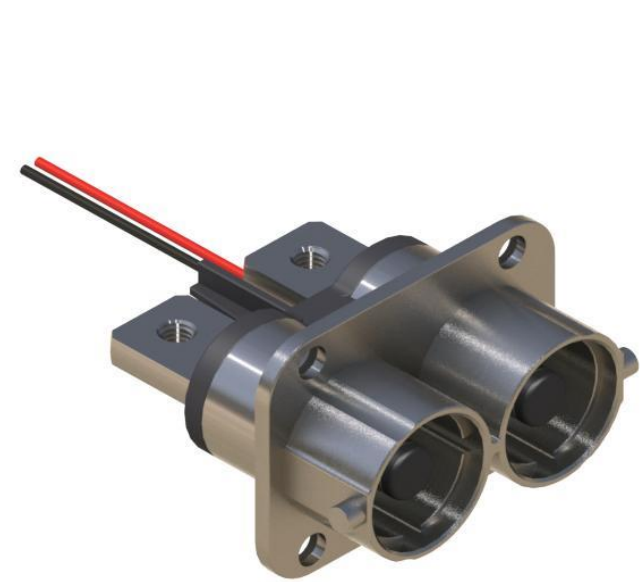


PL20X-301
1 POLE + HVIL R/A PLUG OVERMOLDED



PL10X-301
1 POLE + HVIL STRAIGHT PLUG OVERMOLDED

POWER | LOK® PL300 2 WAY INSTALLABLE TYPE



PL082X-301
2 POLE + HVIL RECEPTACLE

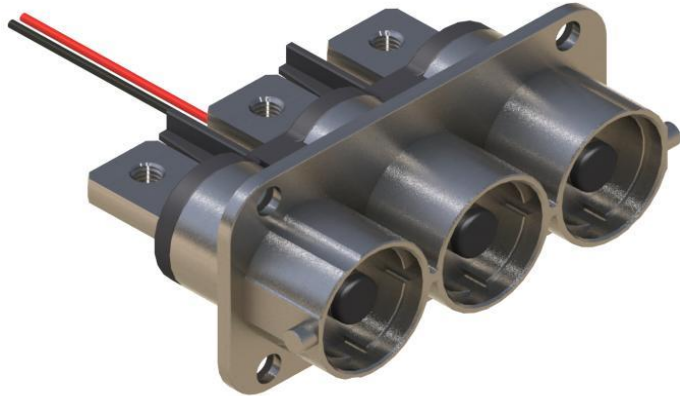


PL282X-301
2 POLE + HVIL R/A PLUG



PL182X-301
2 POLE + HVIL STRAIGHT PLUG

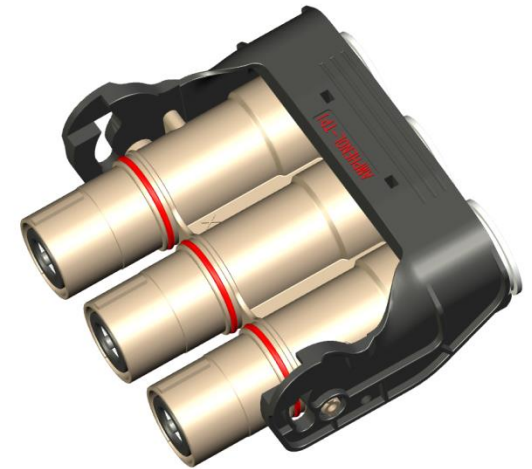
POWER | LOK® PL300 3 WAY INSTALLABLE TYPE



PL083X-300
3 POLE + HVIL RECEPTACLE

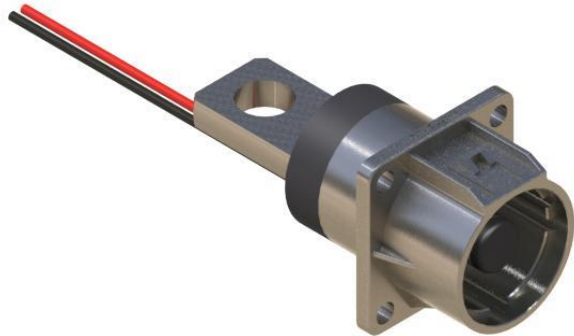


PL283X-301
3 POLE + HVIL R/A PLUG



PL183X-301
3 POLE + HVIL STRAIGHT PLUG

POWER | LOK® PL200 SINGLE WAY INSTALLABLE TYPE



PL00X-201
1 POLE + HVIL RECEPTACLE

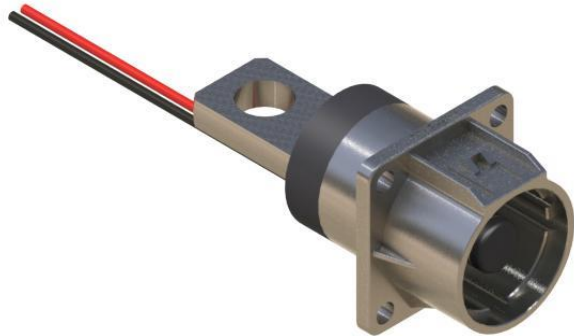


PL28X-201
1 POLE + HVIL R/A PLUG

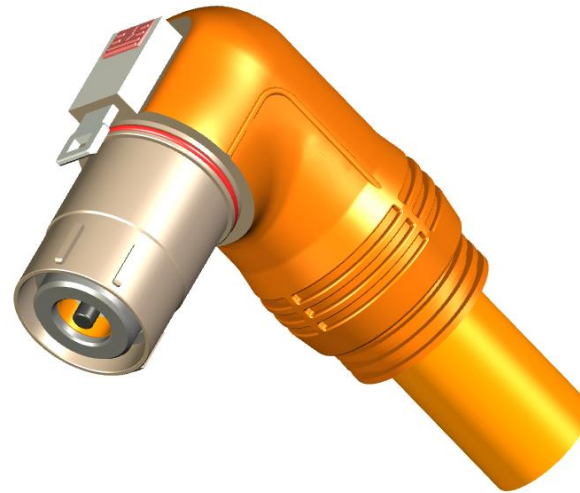


PL18X-201
1 POLE + HVIL STRAIGHT PLUG

POWER | LOK® PL120 SINGLE WAY OVERMOLDED TYPE



PL00X-121
1 POLE + HVIL RECEPTACLE

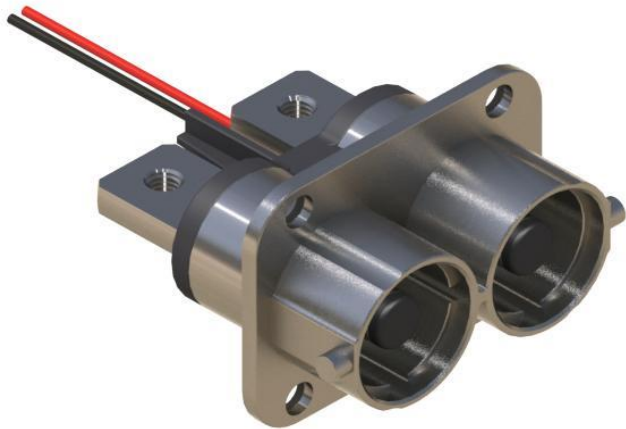


PL20X-121
1 POLE + HVIL R/A PLUG

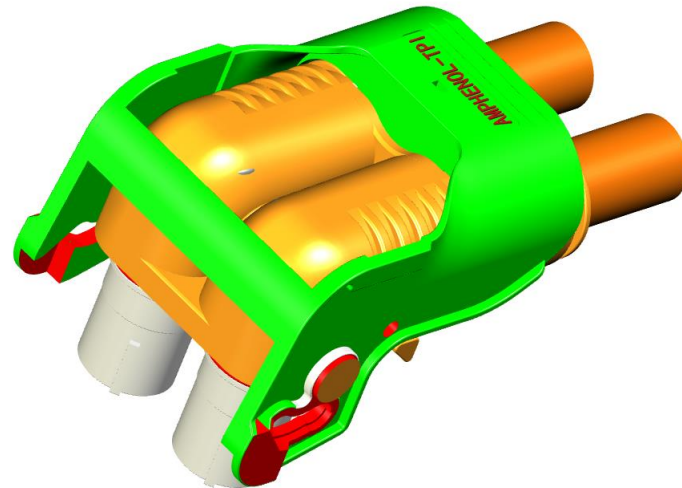


PL10X-121
1 POLE + HVIL STRAIGHT PLUG

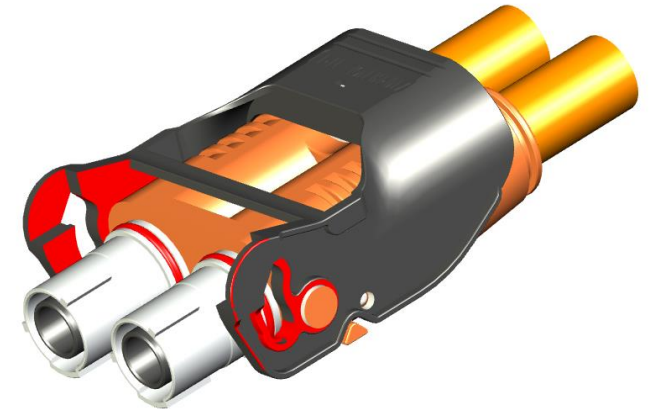
POWER|LOK® PL120 2 WAY OVERMOLDED TYPE



PL082X-121
2 POLE + HVIL RECEPTACLE



PL202X-121
2 POLE + HVIL R/A PLUG

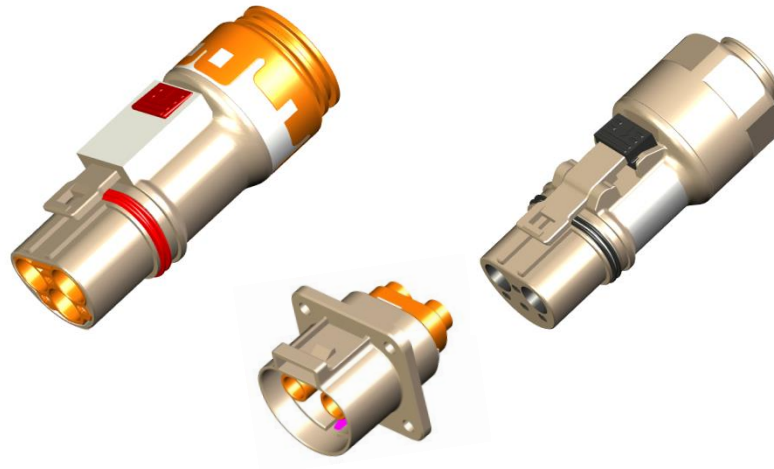


PL102X-121
2 POLE + HVIL STRAIGHT PLUG

POWER|LOK® PL40 & PL60 TYPE



PL082X-61 AND PL282X-61
2 POLE + HVIL

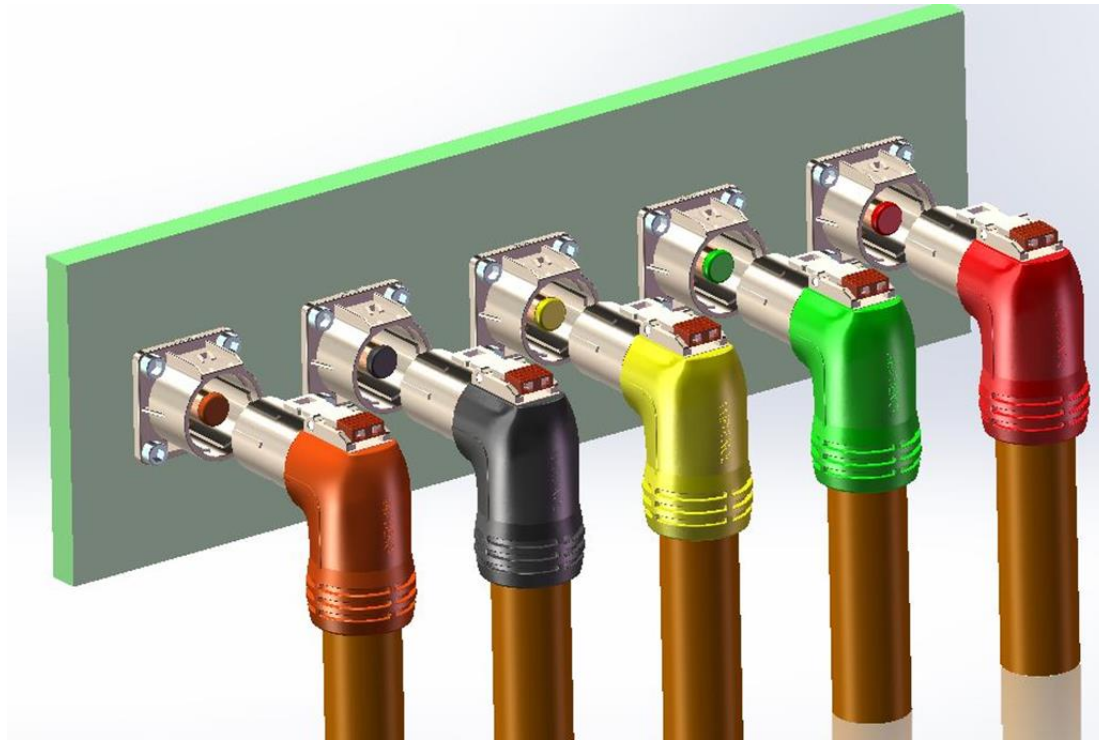


PL083X-41 AND PL183-41
3 POLE + HVIL OR 3 POLE + 4

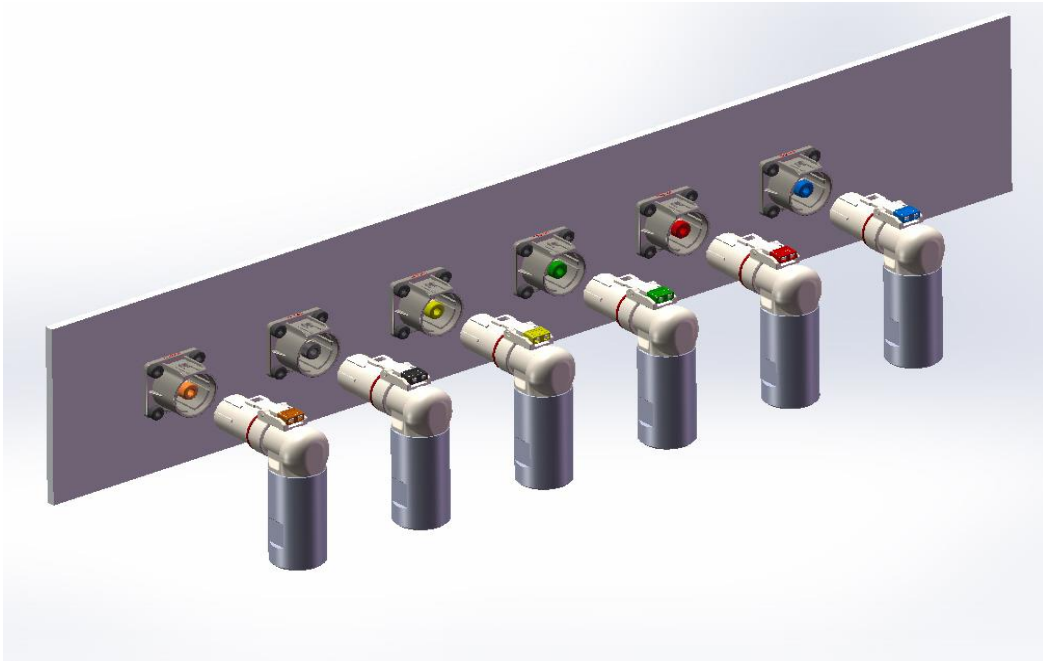


PL084X-41 AND PL184X-41
POLE + HVIL

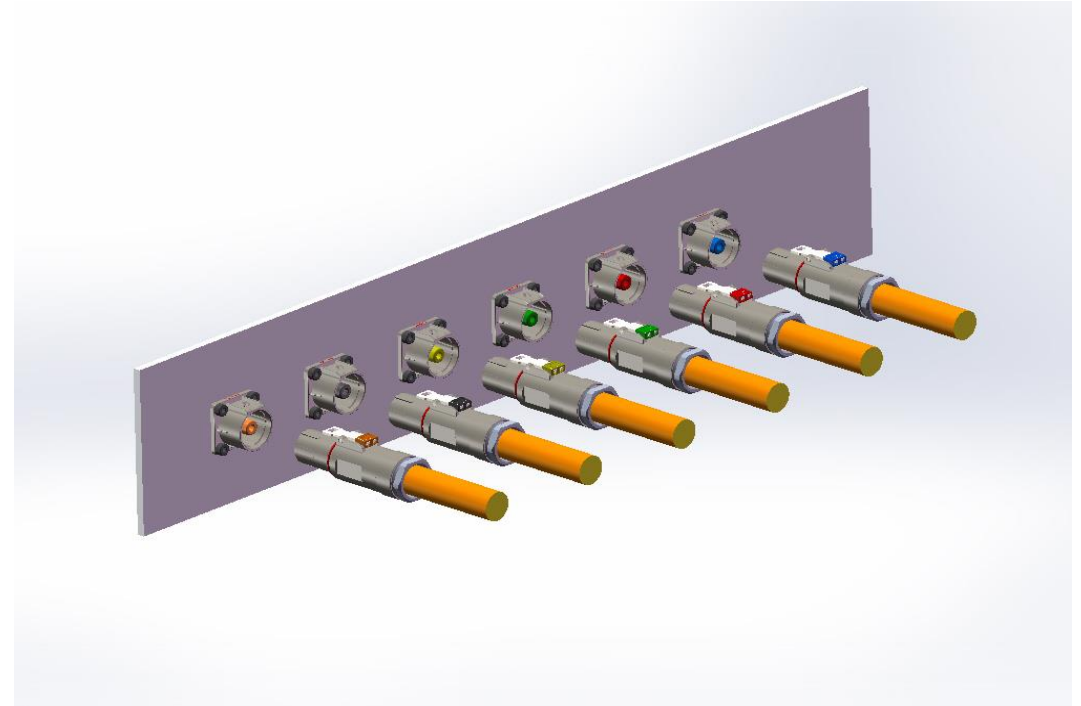
POWER|LOK® COLOUR CODING OVERMOLDED



POWER | LOK® COLOUR CODING INSTALLABLE



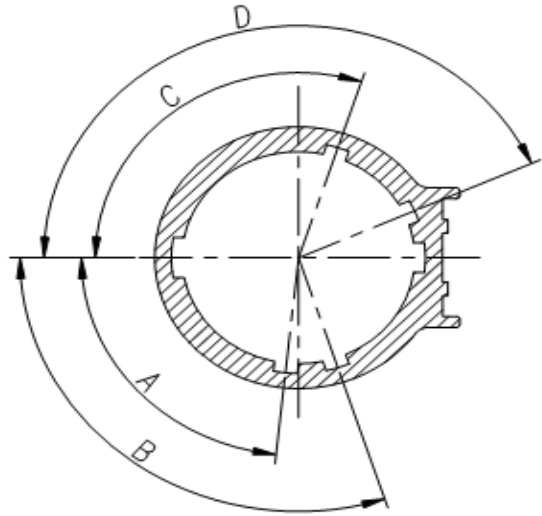
RIGHT ANGLE INSTALLABLE



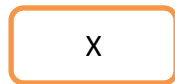
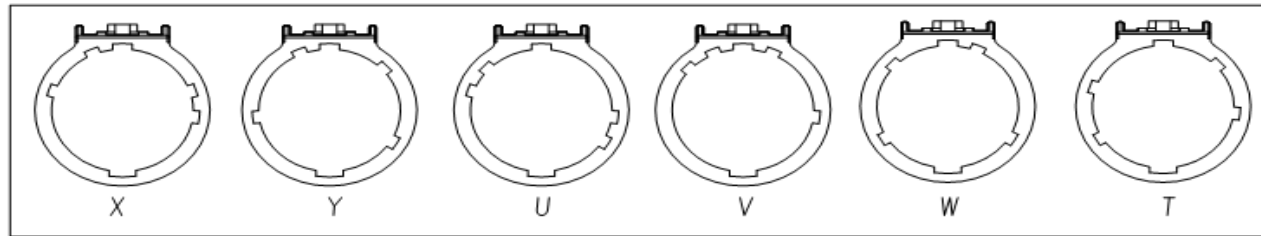
STRAIGHT INSTALLABLE



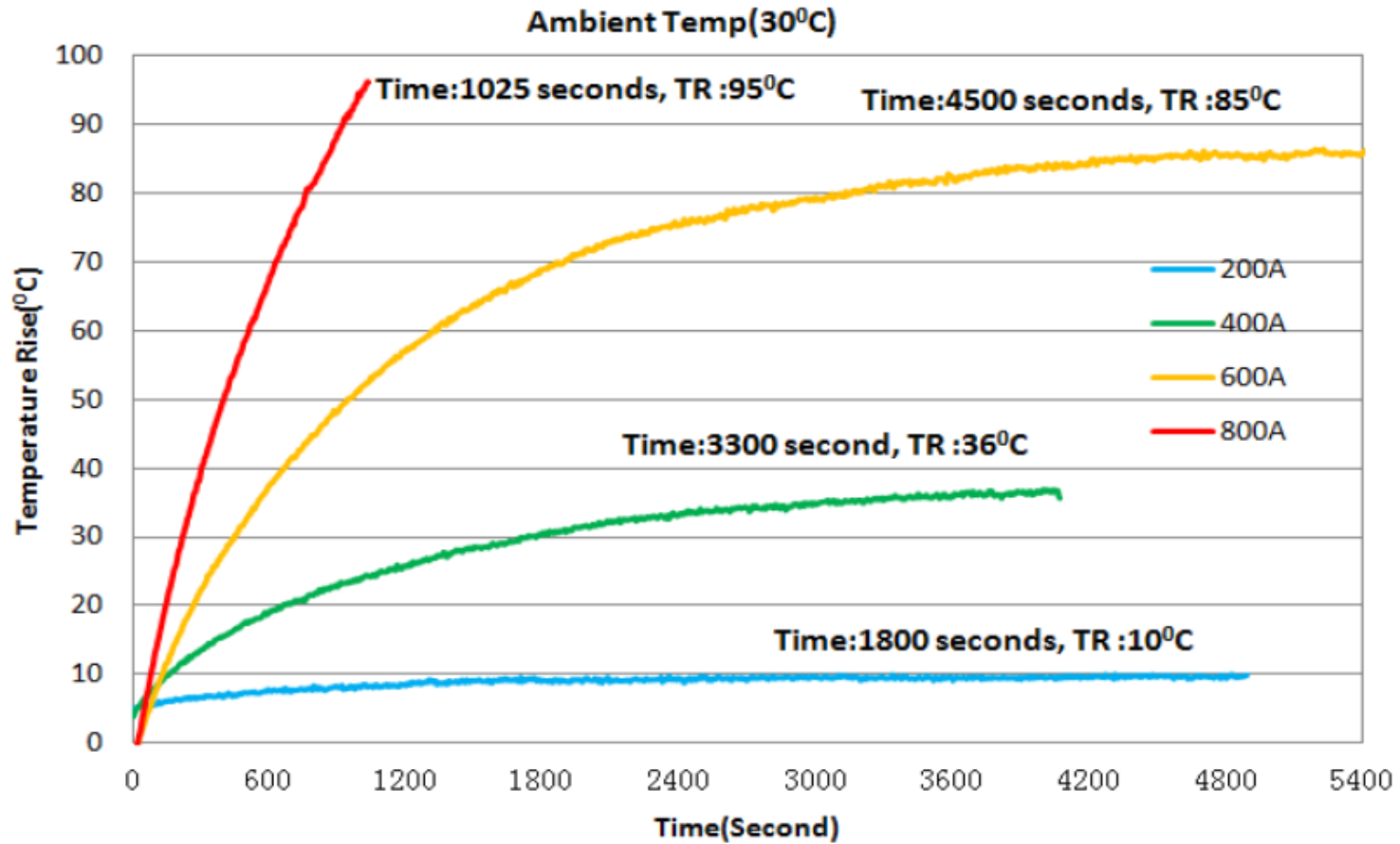
POWER | LOK® MECHANICAL KEYWAY'S



KEY	A	B	C	D
X	84°	108°	108°	156°
Y	60°	132°	84°	156°
U	60°	84°	108°	132°
V	84°	156°	132°	156°
W	60°	156°	60°	132°
T	84°	132°	60°	108°

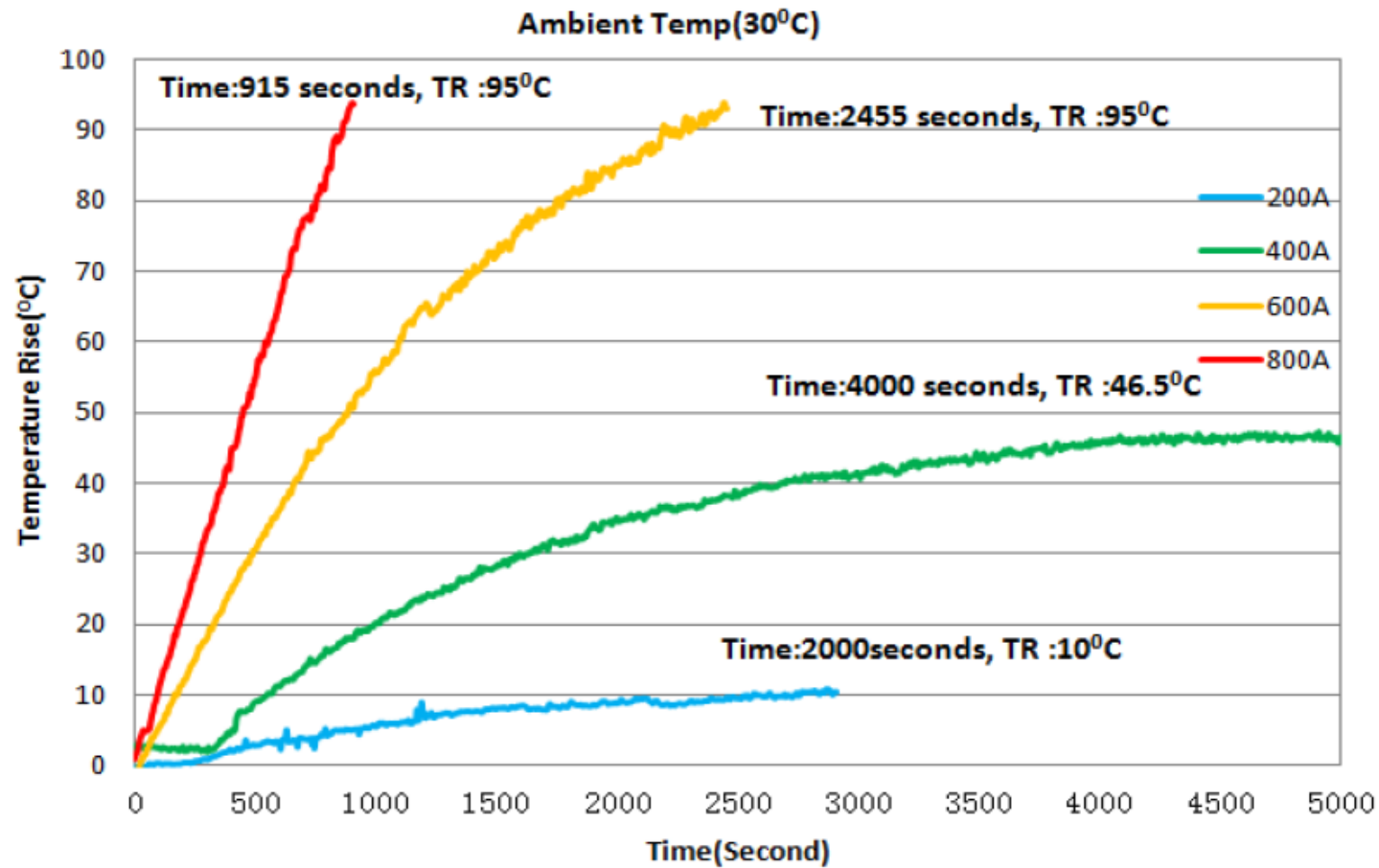


POWER|LOK® – PL500 T-RISE



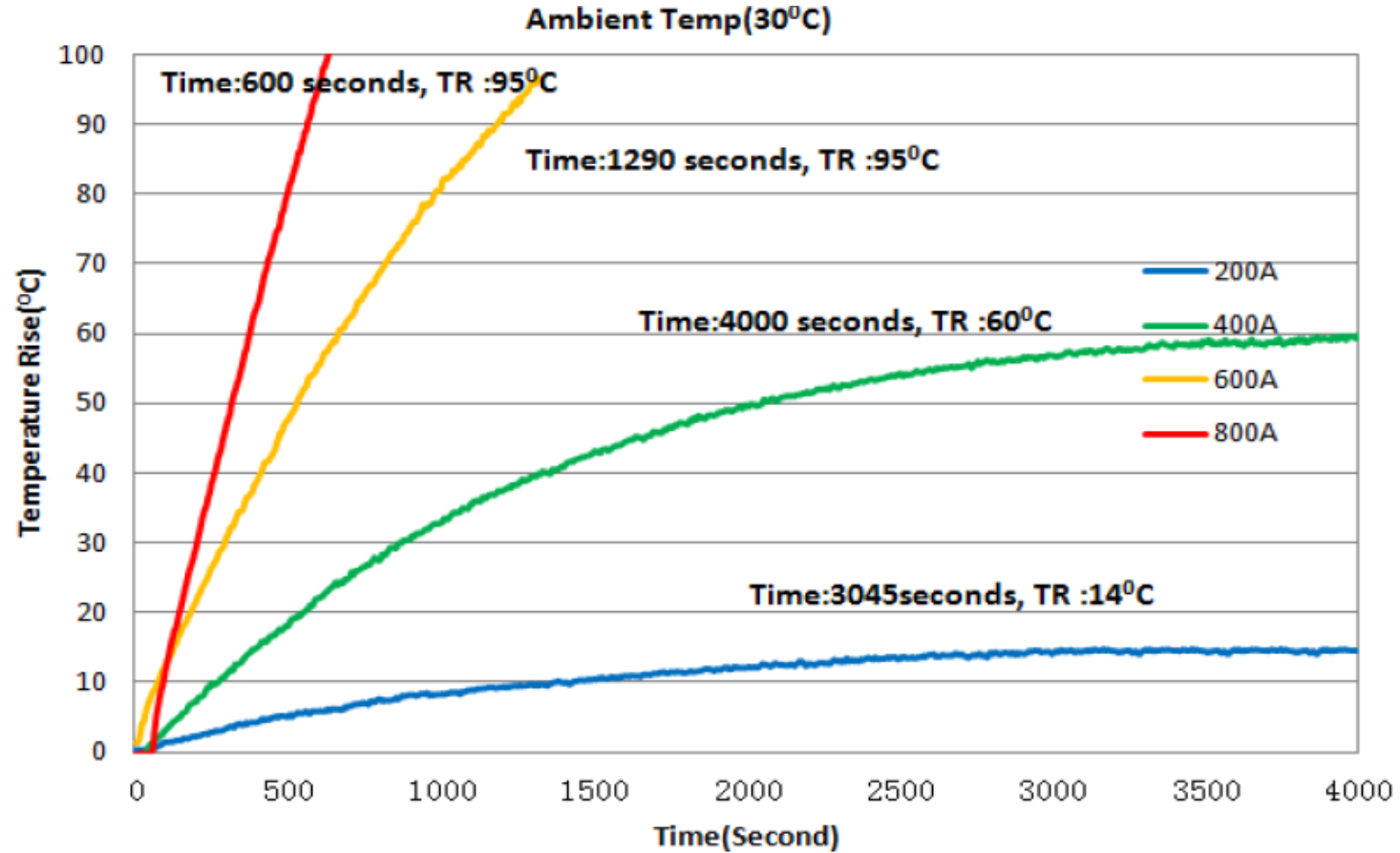
POWERLOK™ 500 WITH 1 MT OF 150MM² EMI CABLE

POWER|LOK® – PL500 T-RISE



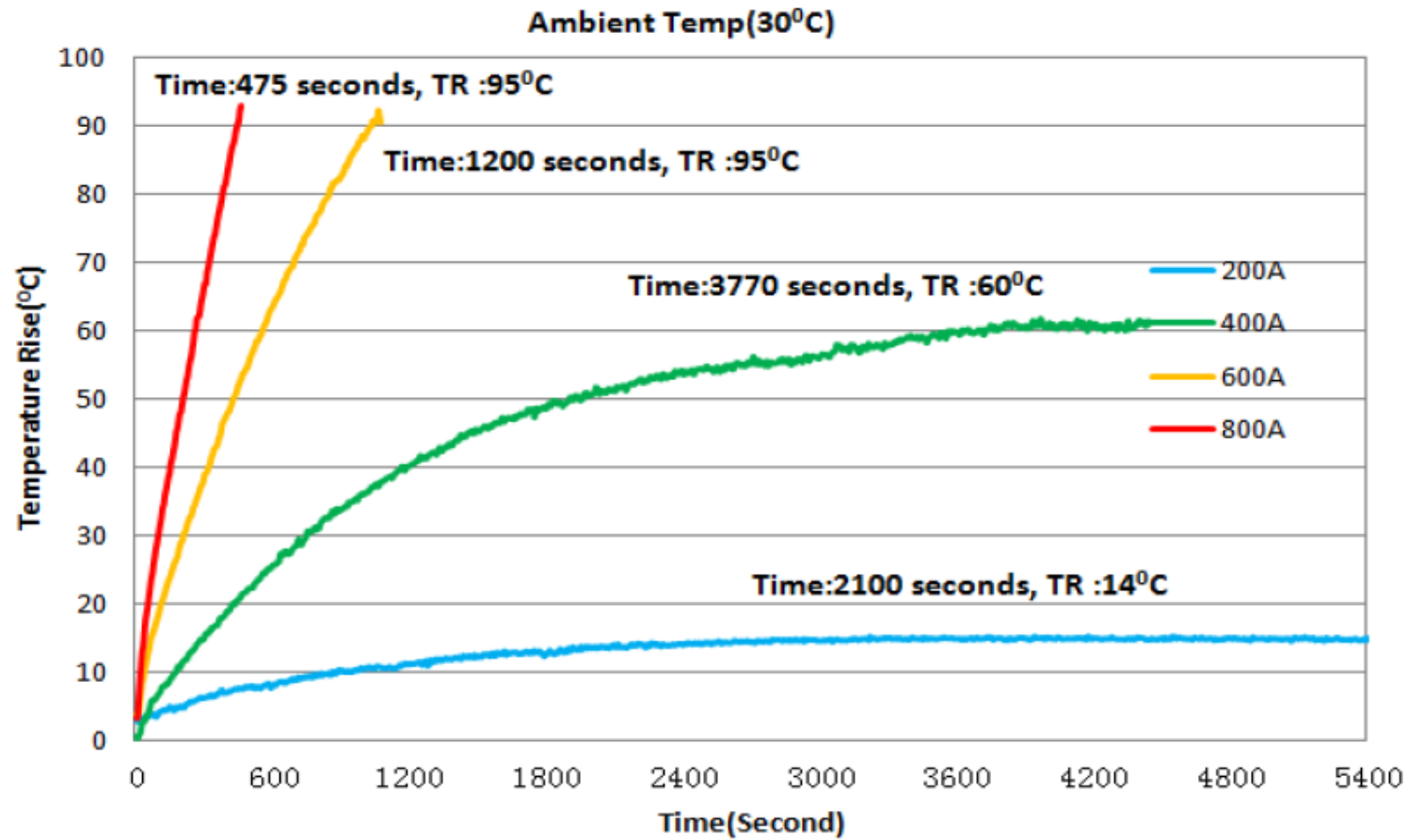
POWERLOK™ 500 WITH 1 MT OF 95MM² EMI CABLE

POWER|LOK® – PL300 T-RISE



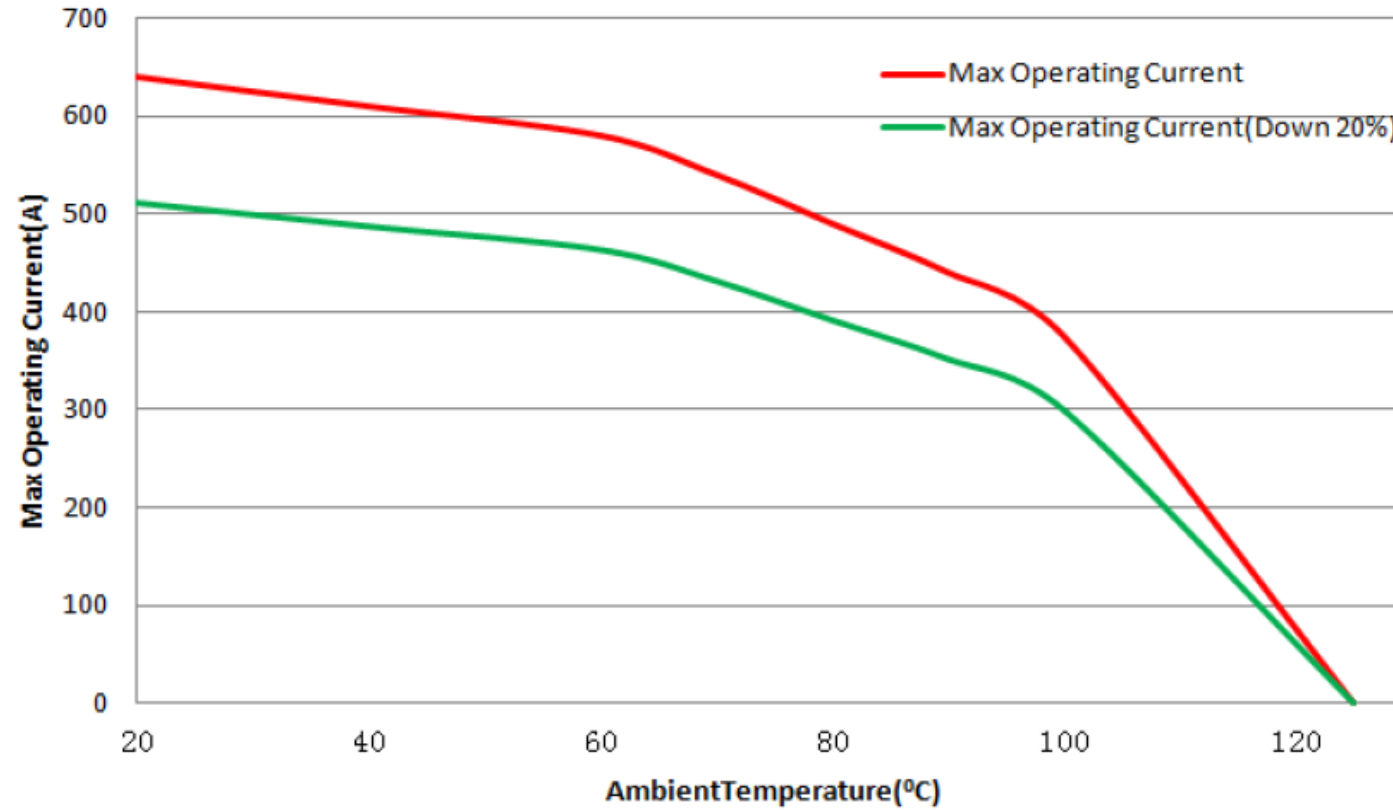
POWERLOK™ 300 WITH 1 MT OF 95MM² EMI CABLE

POWER|LOK® – PL300 T-RISE



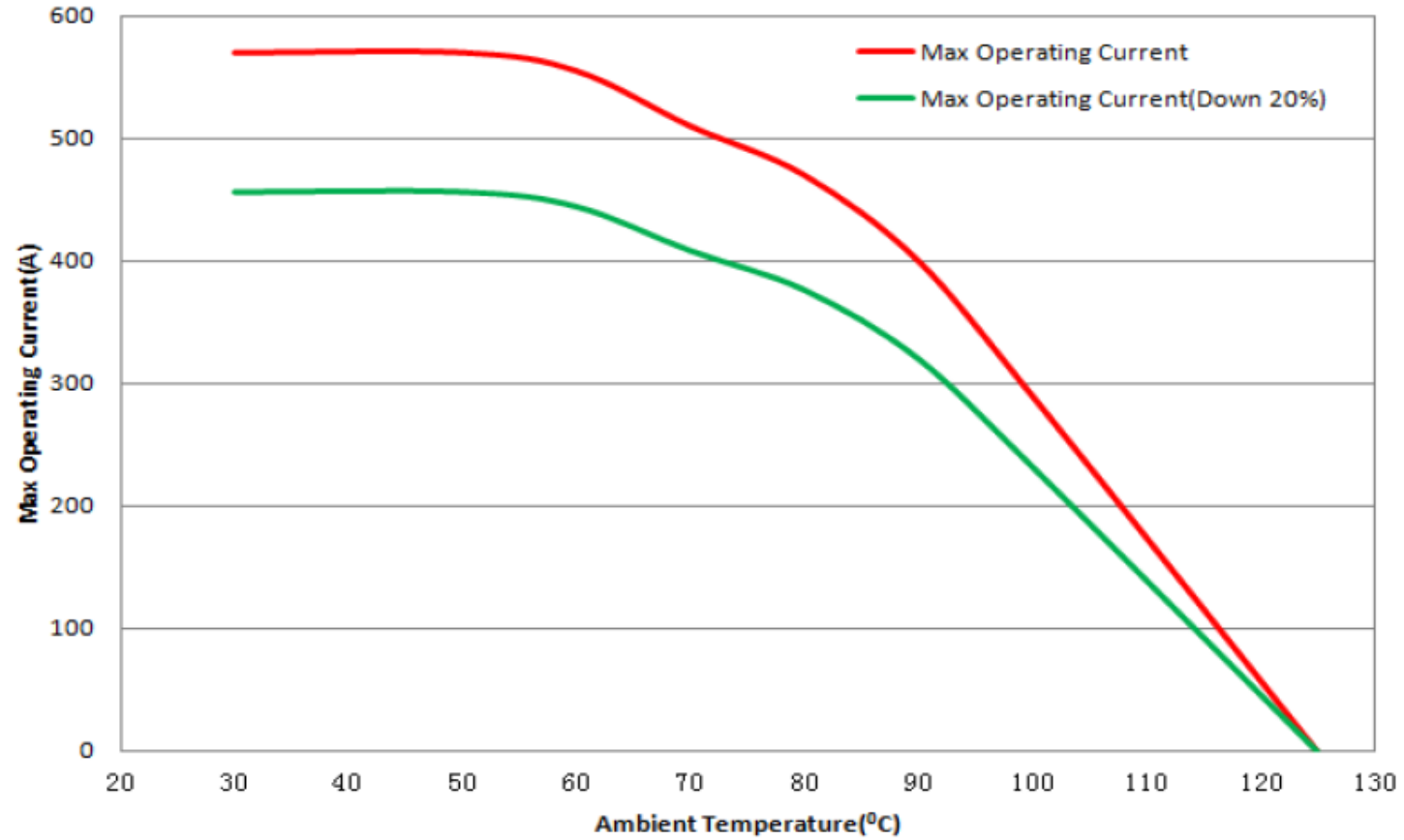
POWERLOK™ 300 WITH 1 MT OF 70MM² EMI CABLE

POWER | LOK® – PL500 DE-RATING



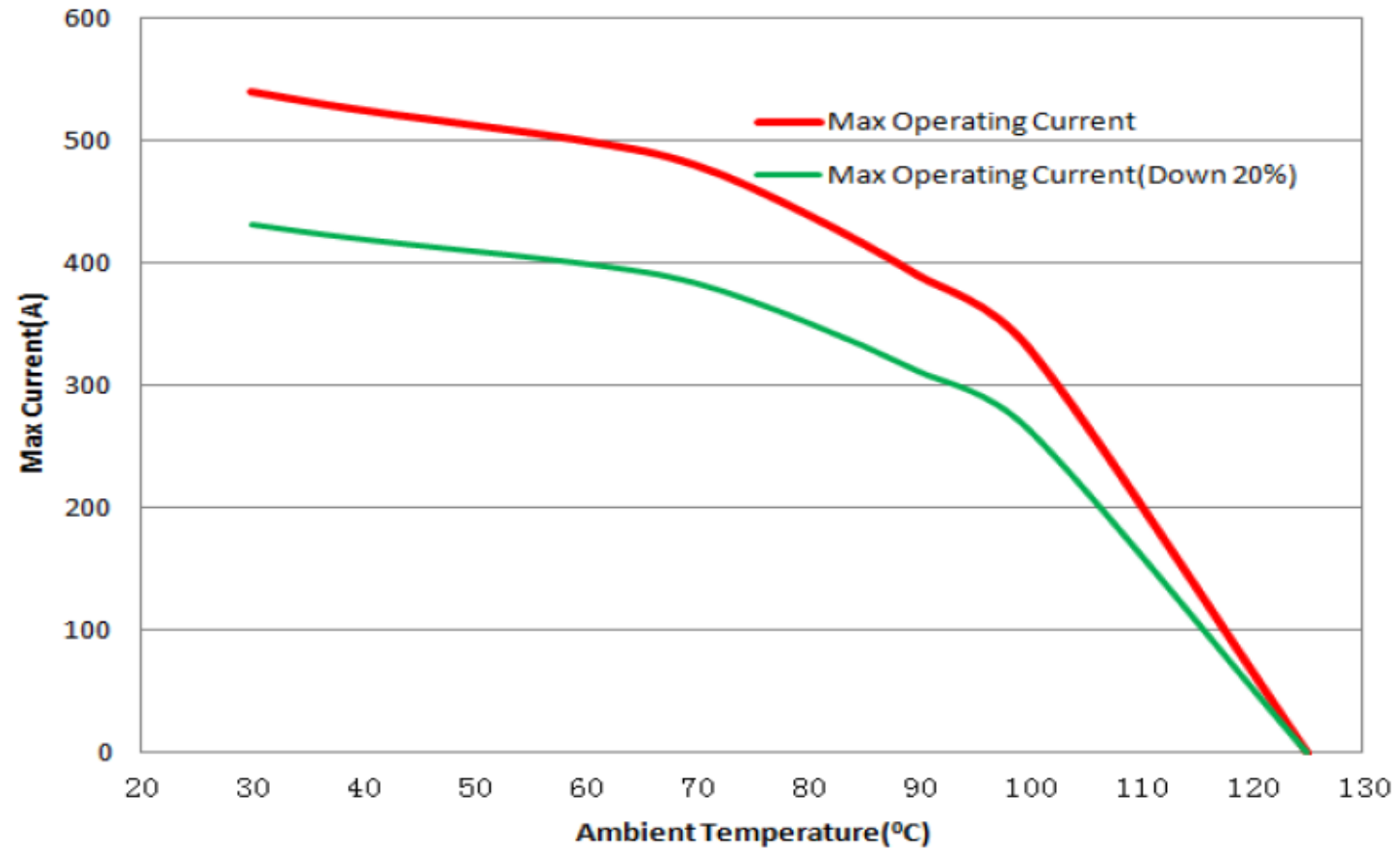
POWERLOK™ 500 WITH 1 MT OF 150MM² EMI CABLE

POWER|LOK® – PL400 DE-RATING



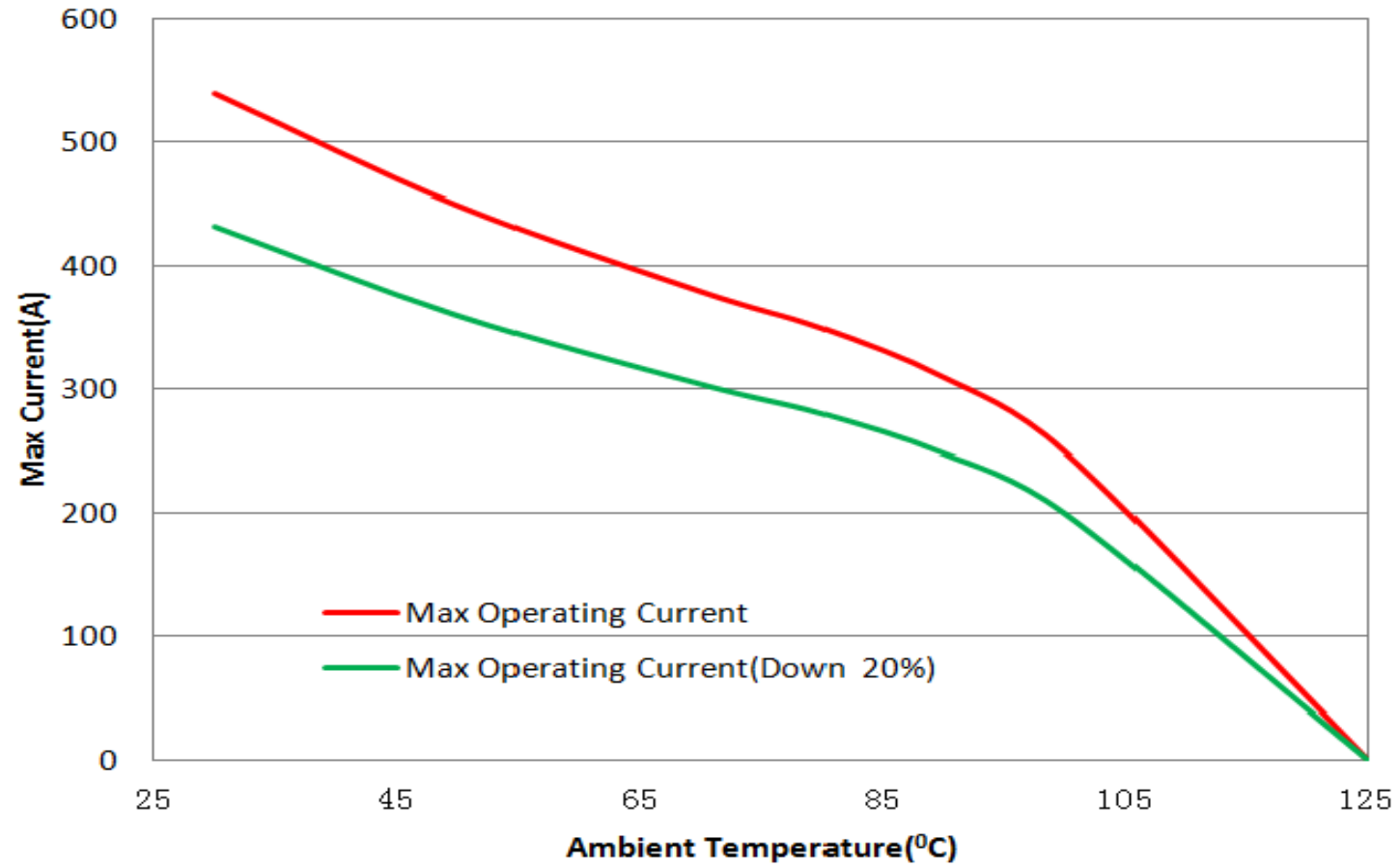
POWERLOK™ 400 WITH 1 MT OF 135MM² EMI CABLE

POWER|LOK® – PL300 DE-RATING



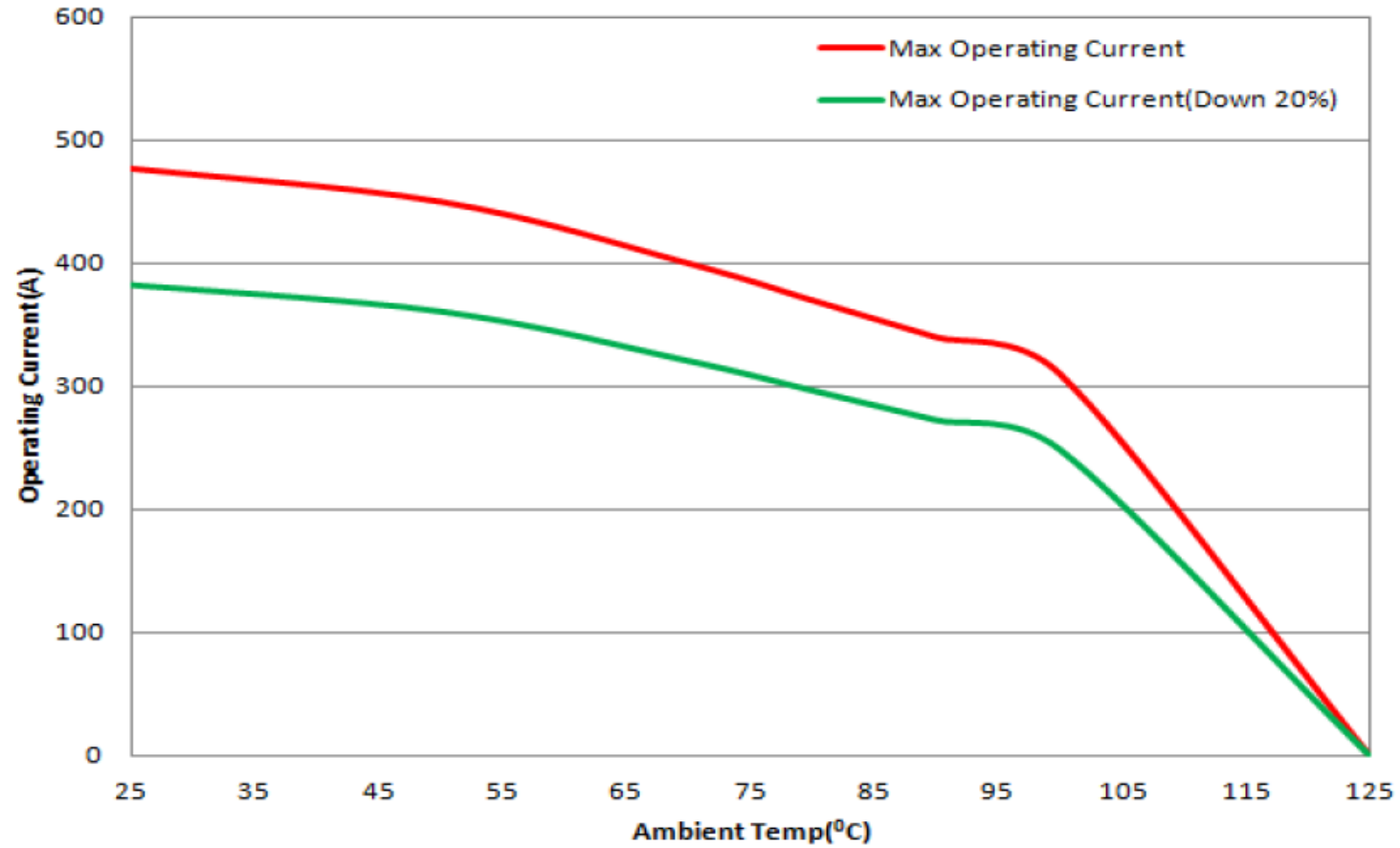
POWERLOK™ 300 WITH 1 MT OF 95MM² EMI CABLE

POWER | LOK® – PL300 DE-RATING



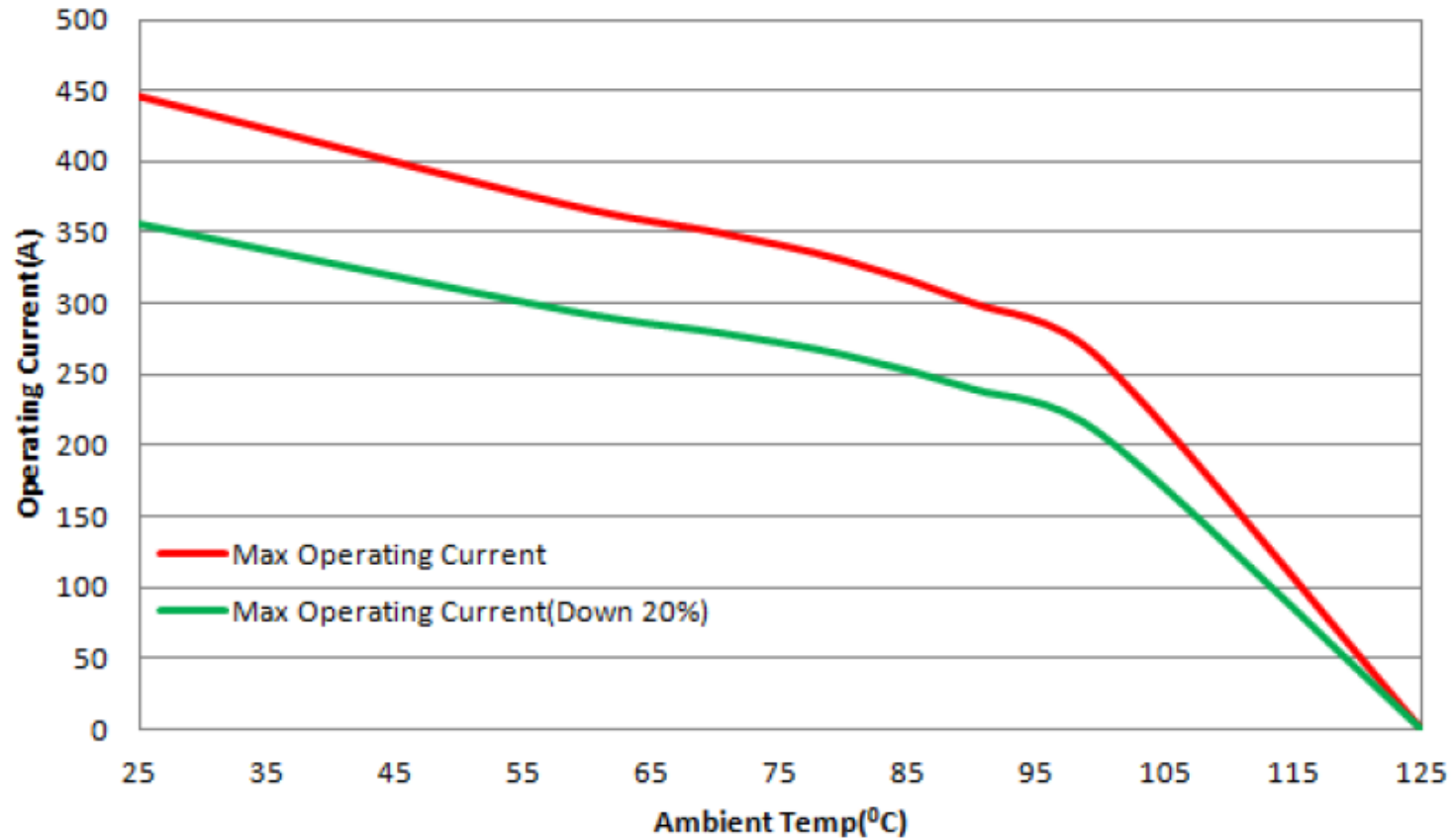
POWERLOK™ 300 WITH 1 MT OF 70MM² EMI CABLE

POWER | LOK® – PL300 DE-RATING



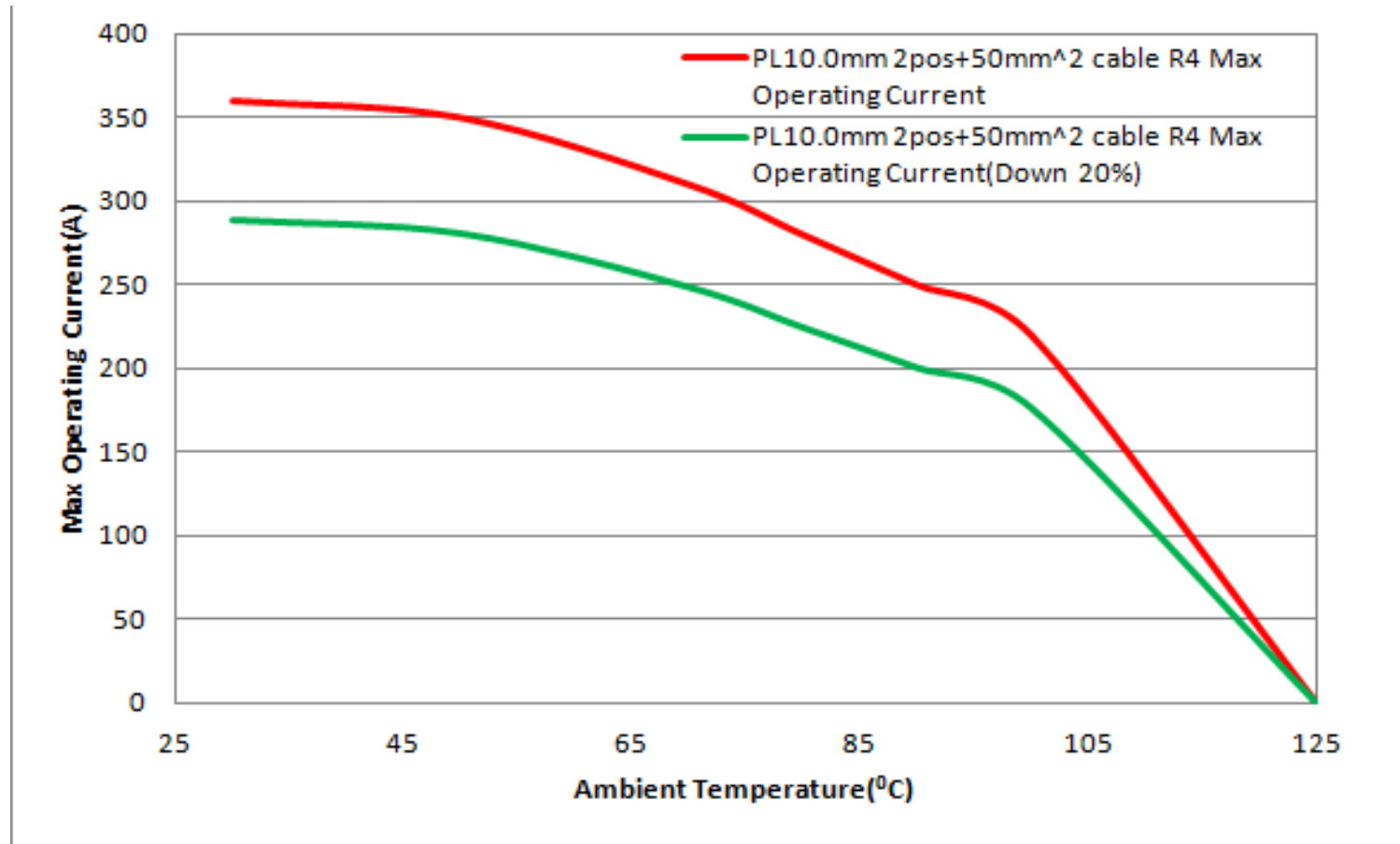
POWERLOK™ 300 WITH 1 MT OF 50MM² EMI CABLE

POWER|LOK® – PL300 2 WAY DE-RATING



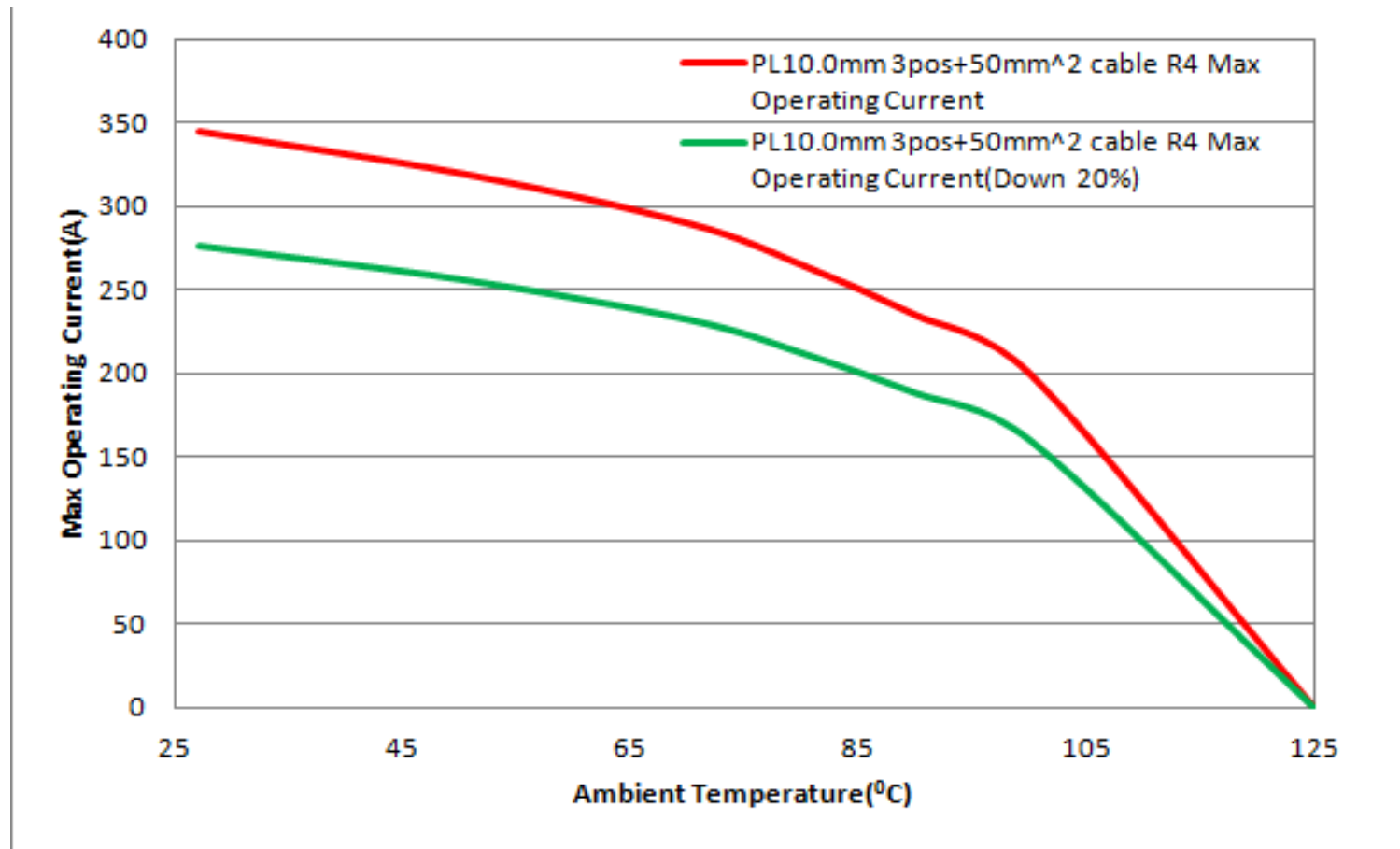
POWERLOK™ 300 2 WAY WITH 1 MT OF 70MM² EMI CABLE

POWER|LOK® – PL300 2 WAY DE-RATING



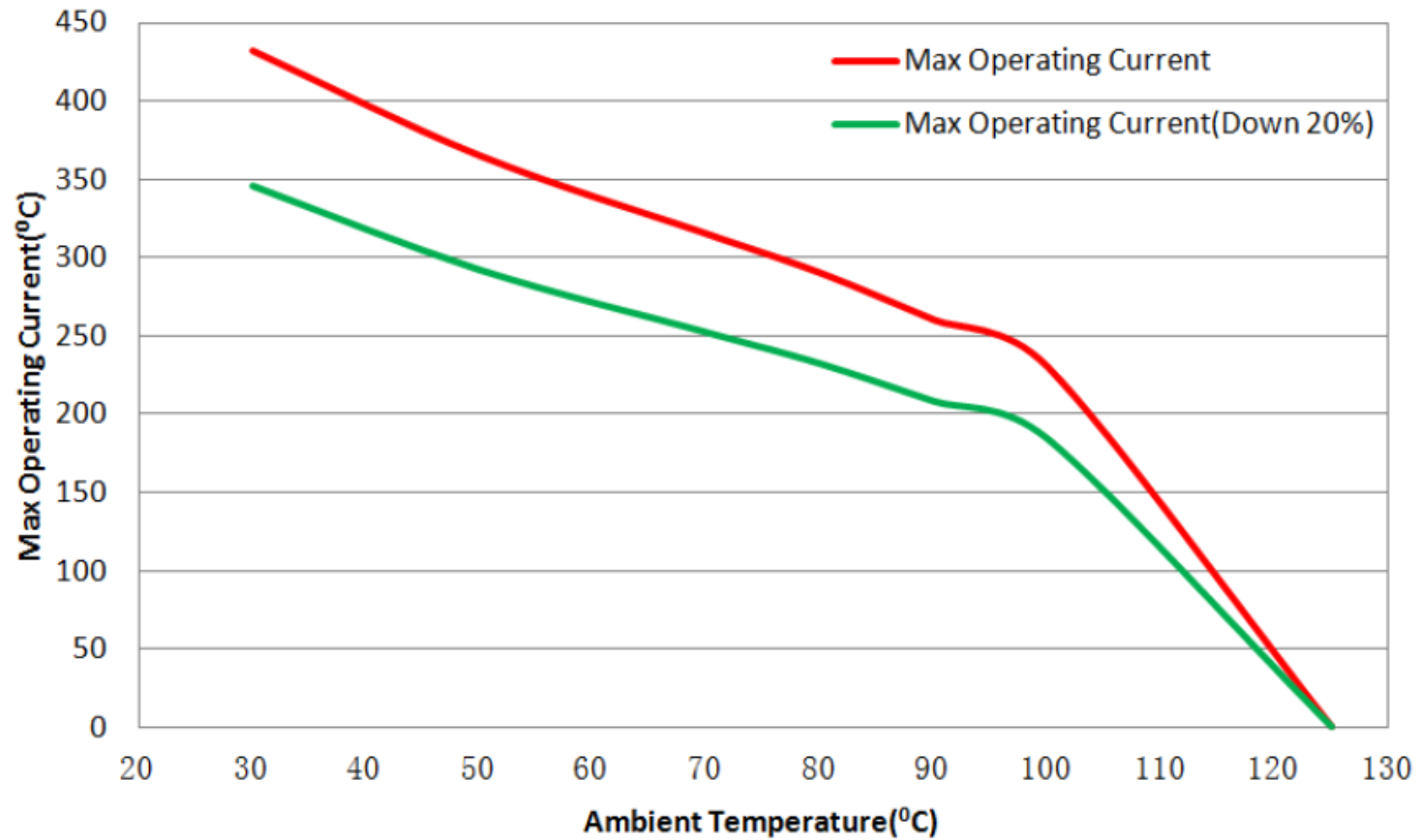
POWERLOK™ 300 2 WAY WITH 1 MT OF 50MM² EMI CABLE

POWER|LOK® – PL300 3 WAY DE-RATING



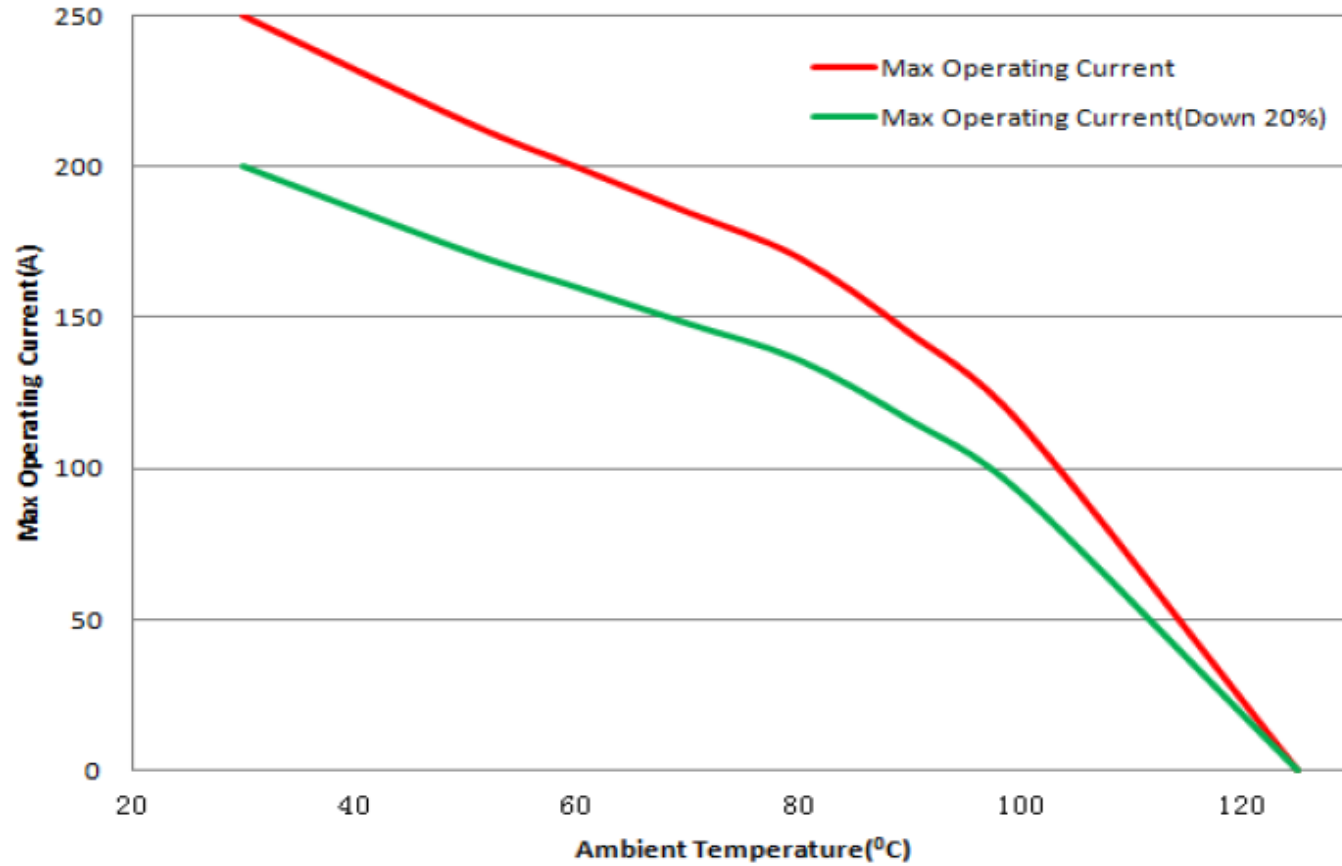
POWERLOK™ 300 3 WAY WITH 1 MT OF 50MM² EMI CABLE

POWER | LOK® – PL200 DE-RATING



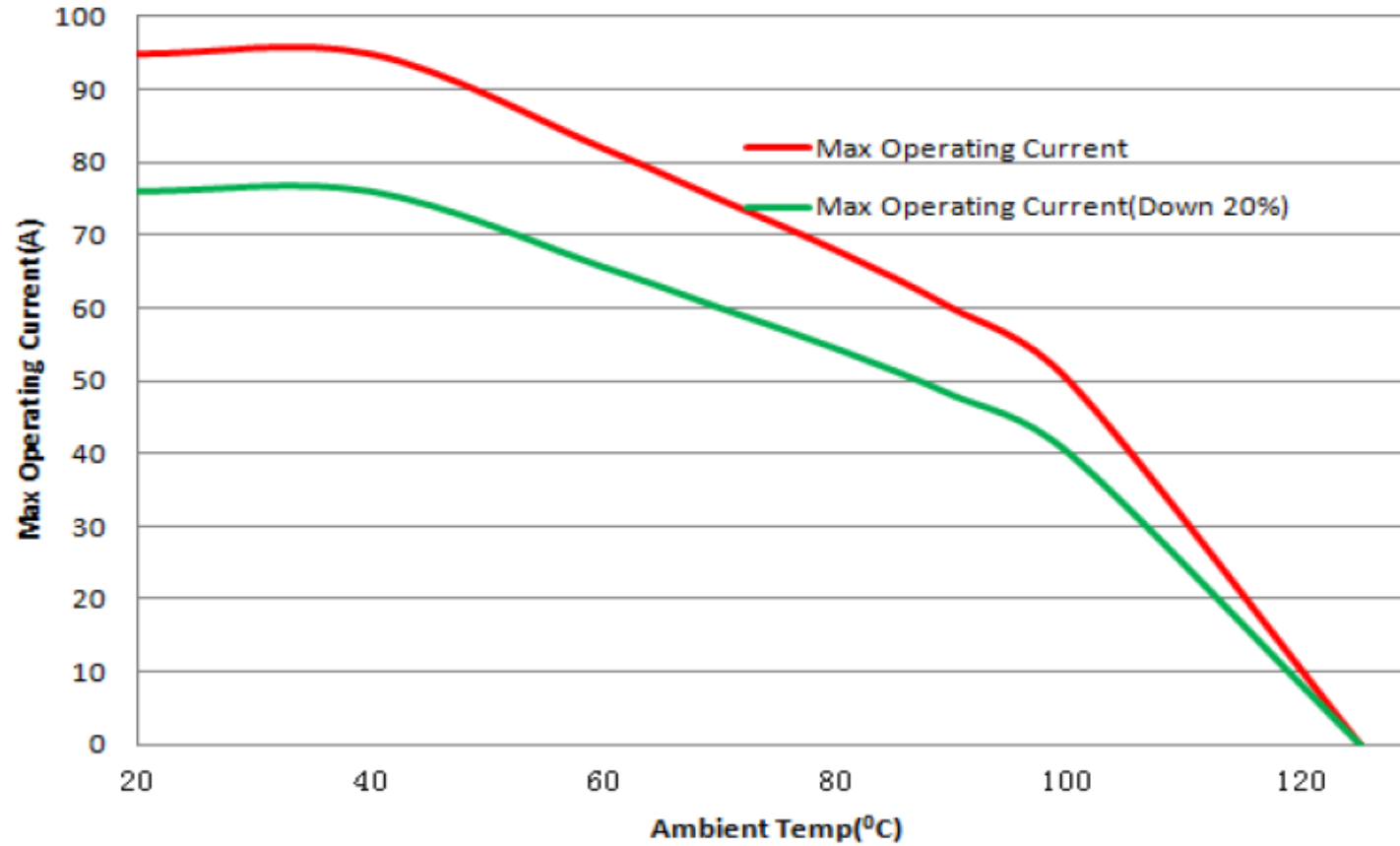
POWERLOK™ 200 WITH 1 MT OF 50MM² EMI CABLE

POWER|LOK® – PL120 DE-RATING



POWERLOK™ 120 WITH 1 MT OF 25MM² EMI CABLE

POWER|LOK® – 2 WAY PL60 DE-RATING



POWERLOK™ 60 2 WAY WITH 1 MT OF 10MM² EMI CABLE

POWER|LOK® ORDERING CODE 1

EXAMPLE

1-PRODUCT SERIES	2-SHELL TYPE	3-NR OF POLES	4-KEYING	5-SIZE & HVIL	6-TERMINATION TYPE	7-TERMINATION SIZE	8-OPTIONS
PL	18	2	X	301	70		5

1-PRODUCT SERIES

PL POWER|LOK

2-SHELL TYPE

00	1 POLE RECEPTACLE
08	2 AND 3 POLE RECEPTACLE
10	STRAIGHT PLUG OVERMOLDED (STANDARD VERSION)
18	STRAIGHT PLUG (STANDARD VERSION)
20	RIGHT ANGLE PLUG OVERMOLDED (STANDARD VERSION)
28	RIGHT ANGLE PLUG (STANDARD VERSION)

3-NUMBER OF POLES

OMIT	1 POLE (FOR PL120/PL200/PL300/PL400/PL500 SERIES)
2	2 POLES (FOR PL60/PL120/PL300 SERIES)
3	3 POLES (FOR PL40/PL300 SERIES)
4	4 POLES (FOR PL40 SERIES ONLY)

4-KEYING

X	ORANGE (STANDARD)	(FOR 1/2/3/4 POLES ALL TYPES)
Y	BLACK (STANDARD)	(FOR 1/2/3/4 POLES ALL TYPES)
U	YELLOW	(FOR 1 POLES PL120/PL300/PL400/PL500 & 2 POLES PL40/PL60)
V	GREEN	(FOR 1 POLES PL120/PL300/PL400/PL500)
W	RED (STANDARD)	(FOR 1 POLES PL120/PL300/PL400/PL500)
T	BLUE	(FOR 1 POLES PL300/PL400/PL500, BUT NOT OVERMOLDED VERSION)

POWER | LOK® ORDERING CODE 2

EXAMPLE

1-PRODUCT SERIES	2-SHELL TYPE	3-NR OF POLES	4-KEYING	5-SIZE & HVIL	6-TERMINATION TYPE	7-TERMINATION SIZE	8-OPTIONS
PL	18	2	X	301	70		5

5-SIZE & HVIL

40	4,0MM RADSOK ² CONTACT	41	4,0MM RADSOK ² CONTACT (STANDARD AND RECCOMENDED FOR HV)
60	4,0MM RADSOK ² CONTACT	61	4,0MM RADSOK ² CONTACT (STANDARD AND RECCOMENDED FOR HV)
120	5,7MM RADSOK ² CONTACT	121	5,7MM RADSOK ² CONTACT (STANDARD AND RECCOMENDED FOR HV)
200	8,0MM RADSOK ² CONTACT	201	8,0MM RADSOK ² CONTACT (STANDARD AND RECCOMENDED FOR HV)
300	10,0MM RADSOK ² CONTACT	301	10,0MM RADSOK ² CONTACT (STANDARD AND RECCOMENDED FOR HV)
400	14,0MM RADSOK ² CONTACT	401	14,0MM RADSOK ² CONTACT (STANDARD AND RECCOMENDED FOR HV)
500	14,0MM RADSOK ² CONTACT	501	14,0MM RADSOK ² CONTACT (STANDARD AND RECCOMENDED FOR HV)

6-TERMINATION TYPE

10	180 DEGREES FLAT BUSBAR - FOR PANEL RECEPTACLES ONLY (STANDARD)
20	THREADED PIN BUSBAR - FOR PANEL RECEPTACLES ONLY
30	CRIMP LUG – FOR RECEPTACLE AND CABLE SIZE TO BE ADDED
90	90 DEGREES FLAT BUSBAR - FOR PANEL RECEPTACLES ONLY (SPECIAL)
2,5	2,5MM ² CABLE FOR PLUG ONLY
4	4MM ² CABLE FOR PLUG ONLY
6	35MM ² CABLE FOR PLUG ONLY
10	10MM ² CABLE FOR PLUG ONLY
16	16MM ² CABLE FOR PLUG ONLY
25	25MM ² CABLE FOR PLUG ONLY
35	35MM ² CABLE FOR PLUG ONLY
50	50MM ² CABLE FOR PLUG ONLY
70	70MM ² CABLE FOR PLUG ONLY
95	95MM ² CABLE FOR PLUG ONLY
120	120MM ² CABLE FOR PLUG ONLY
150	150MM ² CABLE FOR PLUG ONLY

POWER | LOK® ORDERING CODE 3

EXAMPLE

1-PRODUCT SERIES	2-SHELL TYPE	3-NR OF POLES	4-KEYING	5-SIZE & HVIL	6-TERMINATION TYPE	7-TERMINATION SIZE	8-OPTIONS
PL	18	2	X	301	70		5

7-TERMINATION SIZE

OMIT	FOR ALL PLUGS
MXX	METRIC SIZE FOR THE HOLE IN THE BUSBAR OR STUD - FOR PANEL RECEPTACLES ONLY AND XX TO BE COMPLETED
DXX	DIAMETER FOR THE HOLE IN THE BUSBAR- FOR PANEL RECEPTACLES ONLY AND XX TO BE COMPLETED

8-OPTIONS

OMIT	STANDARD
-5	CLASS 5 EU TYPE CABLE CRIMP BARREL