



**SSI Technologies, LLC**  
— an Amphenol Company —



**SSI Technologies, LLC**  
— an Amphenol Company —

## ***Company Overview***

**December, 2020**



## Manufacturing Facilities:

- **3 manufacturing plants and corporate offices located in Janesville, Wisconsin**
  - **3200 Palmer Drive**
  - **1309 Plainfield Drive**
  - **1750 Putnam Parkway, Milton, WI**
- **Eastern European manufacturing facility in the Czech Republic**
- **Manufacturing facility in Changzhou, China**

## Lab and Engineering Technical Centers:

- **Janesville, WI**
- **Plymouth, Michigan**
- **Munich, Germany**





## Manufacturing Facilities

IATF 16949, ISO9001 & ISO14001 certified



**New Warehouse & Light Assembly Facility**  
Milton, WI  
60,000 sq. ft.



**SSI Plainfield Facility**  
Janesville, WI  
70,000 sq. ft.



**SSI Usti Facility**  
Usti, Czech Republic  
65,400 sq. ft.



**SSI China**  
Changzhou, China  
2,000 sq. ft.



**SSI Palmer Drive (HQ)**  
Janesville, WI  
86,000 sq. ft.



**SSI Plymouth Tech Center**  
Plymouth, MI  
10,200 sq. ft.



**SSI Munich Tech Center**  
Munich, Germany  
10,800 sq. ft.

### Total Employees:

- 2020 – 914

### Lab and Engineering Technical Centers



**SSI Technologies, LLC**  
— an Amphenol Company —

# SCR/DEF Products

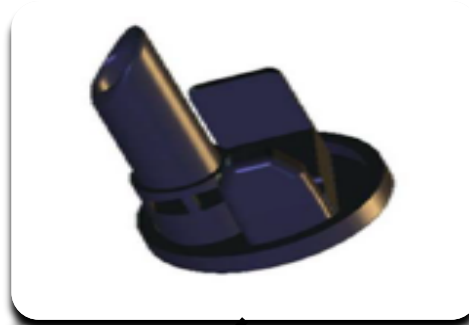


SSI Confidential, © SSI Technologies LLC 2019

All rights reserved, also regarding any reproduction, editing, distribution, as well as in the event of applications for industrial property rights.



**DEF Level,  
Temperature and  
Quality Sensor  
(Ultrasonic)  
(Heater Module)**



**DEF Combo Sensor w/  
Level and  
Concentration  
(Ultrasonic, Bottom-  
Mounted)**



**DEF Level, and  
Temperature  
(Ultrasonic, Bottom-  
Mounted)**

- Largest manufacturer of DEF sensors in the world – over 5 MM in CY2019
- Very accurate level sensing, +/- 2%
- 1% or 3% concentration accuracy
- Durable and reliable



DEF Module w Level  
and/or Quality  
Sensing  
(TUL / TULC)

In Production



DEF Module w Level  
and/or Quality  
Sensing  
(TUL/TULC + HM)

In Production



DEF Tank Systems

In Production



**PACCAR**



DAIMLER



**NAVISTAR**



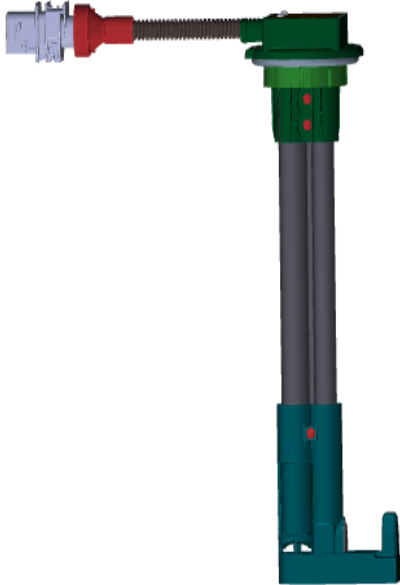








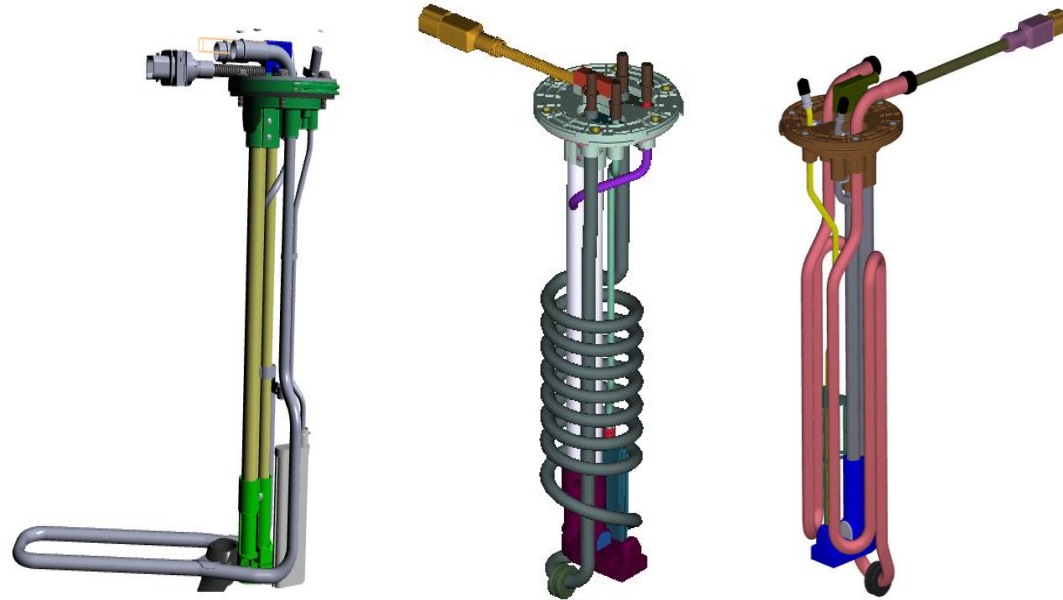
## Stand- Alone TULC Sensors



### Level / Temperature / Concentration (TULC)

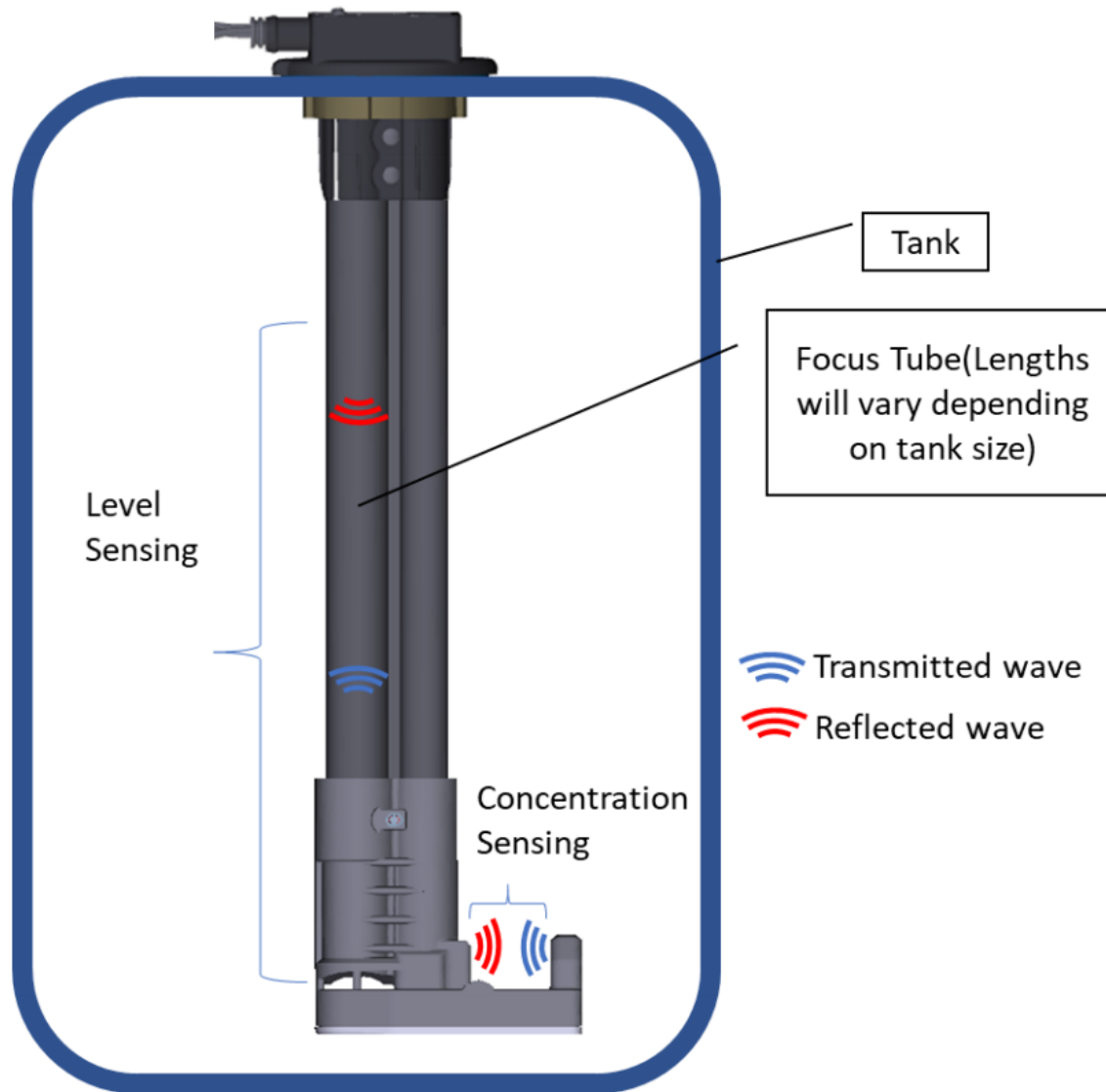
- Top mounted with standard and custom header configurations.
- Modular design is very flexible allowing customization to various tank heights, cable harness and connector needs.

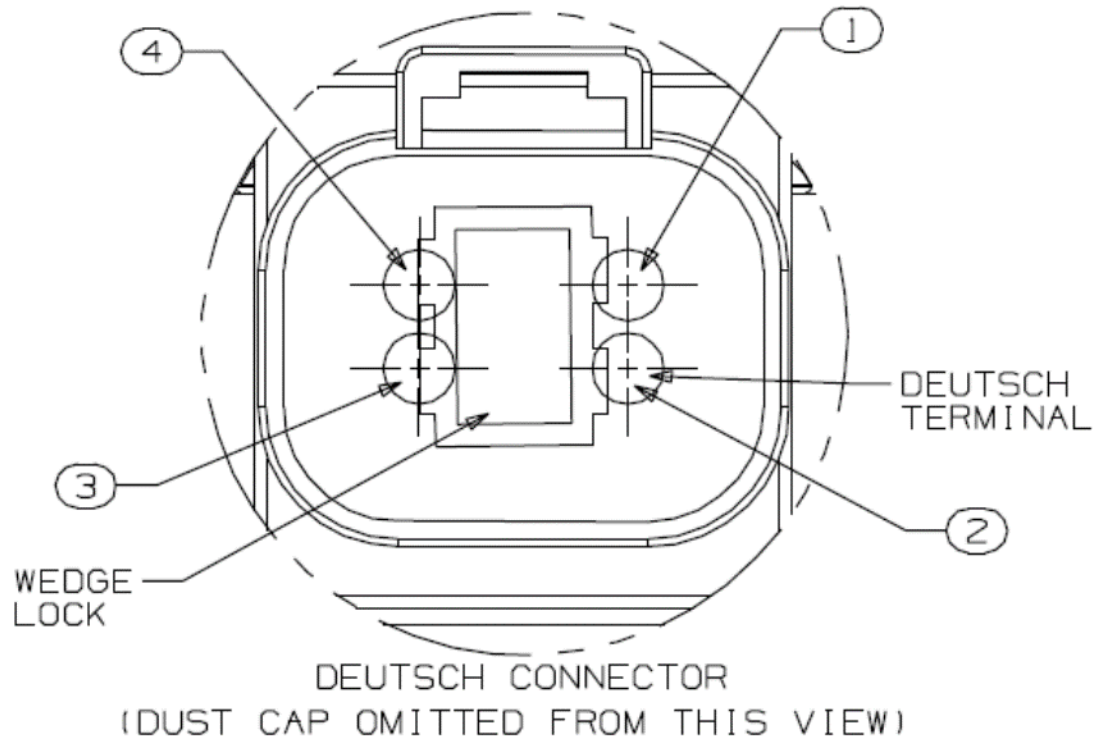
## Integrated Header Design Options



### Integrated Level / Temperature / Concentration (TULC) Heater Modules

- SSI provides fully integrated TULC (with and with out heater tube assemblies).
- Stainless Steel pick up and return lines, engine coolant loops and filter.
- Multiple header designs available and engine coolant loops specifically designed and certified to unique tank configurations.



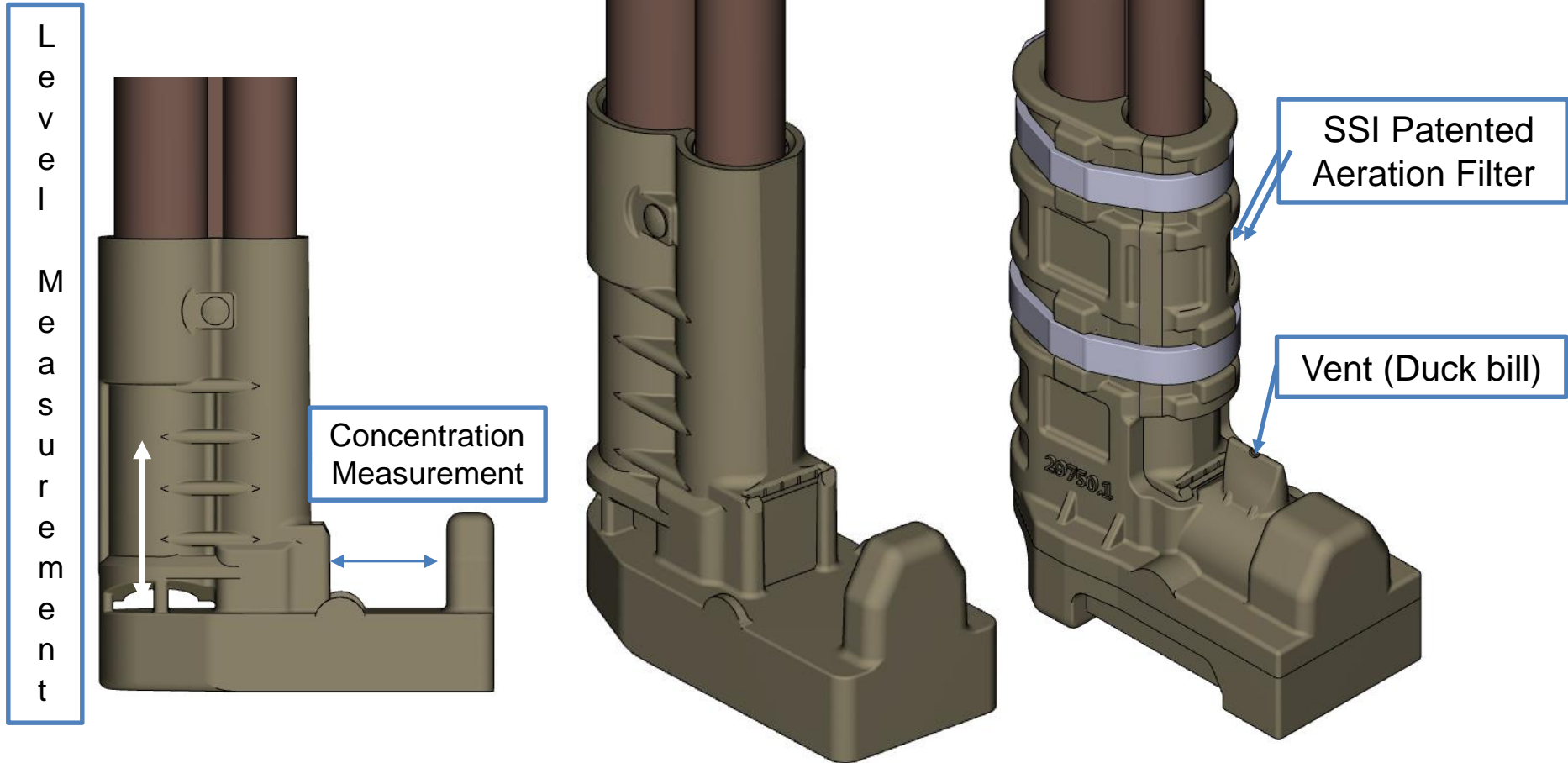


PIN OUT TABLE

WIRE COLOR	FUNCTION	DEUTSCH PIN
RED	POWER	4
GREEN	CAN -	1
YELLOW	CAN +	2
BLACK	GROUND	3

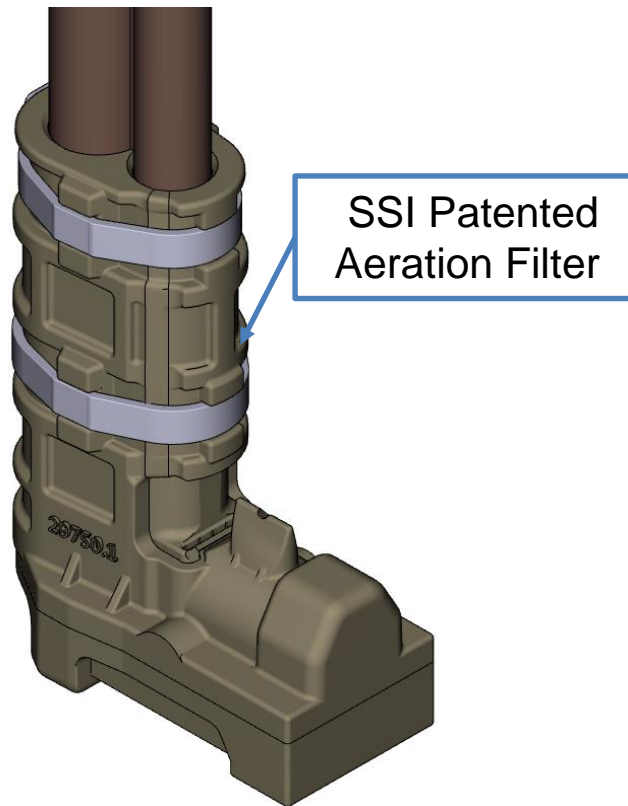


# TULC Temperature Ultrasonic Level & Concentration Sensor





SSI has applied for an International Patent Application on our Aeration Filter that applies to the Market

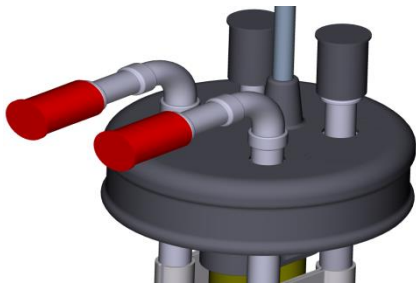




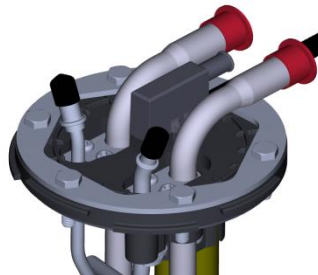
## Integrated Level / Temperature / Concentration (TULC) Heater Modules

- SSI provides fully integrated TULC header assemblies
- Stainless Steel pick up and return lines, engine coolant loops and 40 Micron gradient depth media filter.
- Custom header designs options are available for the market.

Rubber Boot Header



Six (6) Bolt Header



Bayonet Header

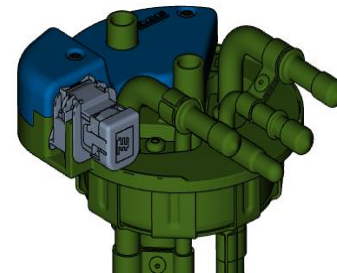
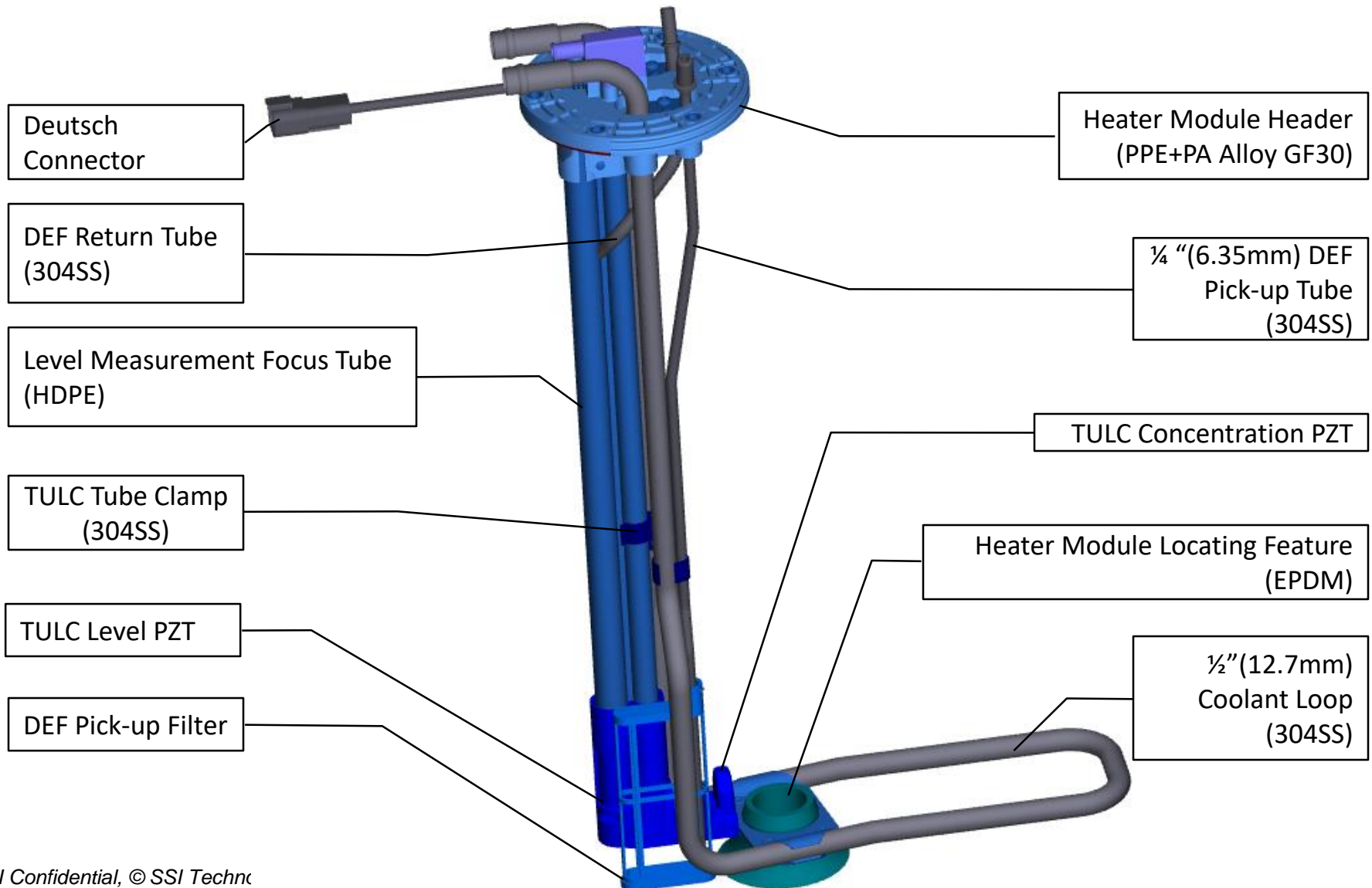




Image																
Type	Landscape		Portrait		Landscape		Portrait		Landscape		Portrait		Landscape		Portrait	
Gallon	5				10				15				30			
Liter	18.9				37.9				56.8				113.6			
Sensor OAL(mm)*	276.0		428.7		428.7	543.0		428.7	543.0		512.5	646.8				
Suction Filter OAL(mm)*	290.9		437.0		438.5	552.8		438.5	552.8		522.8	656.6				
Heater Pipe OAL(mm)*	286.3		439.2		438.7	553.5		439.2	553.1		522.6	656.9				
Dist. to tip of pipe(mm)	211.5		166.5		281.7	179.0		258.8	228.6		441.3	393.7				
Harness Length (mm)	334.0		334.0		334.0	334.0		334.0	334.0		334.0	334.0				

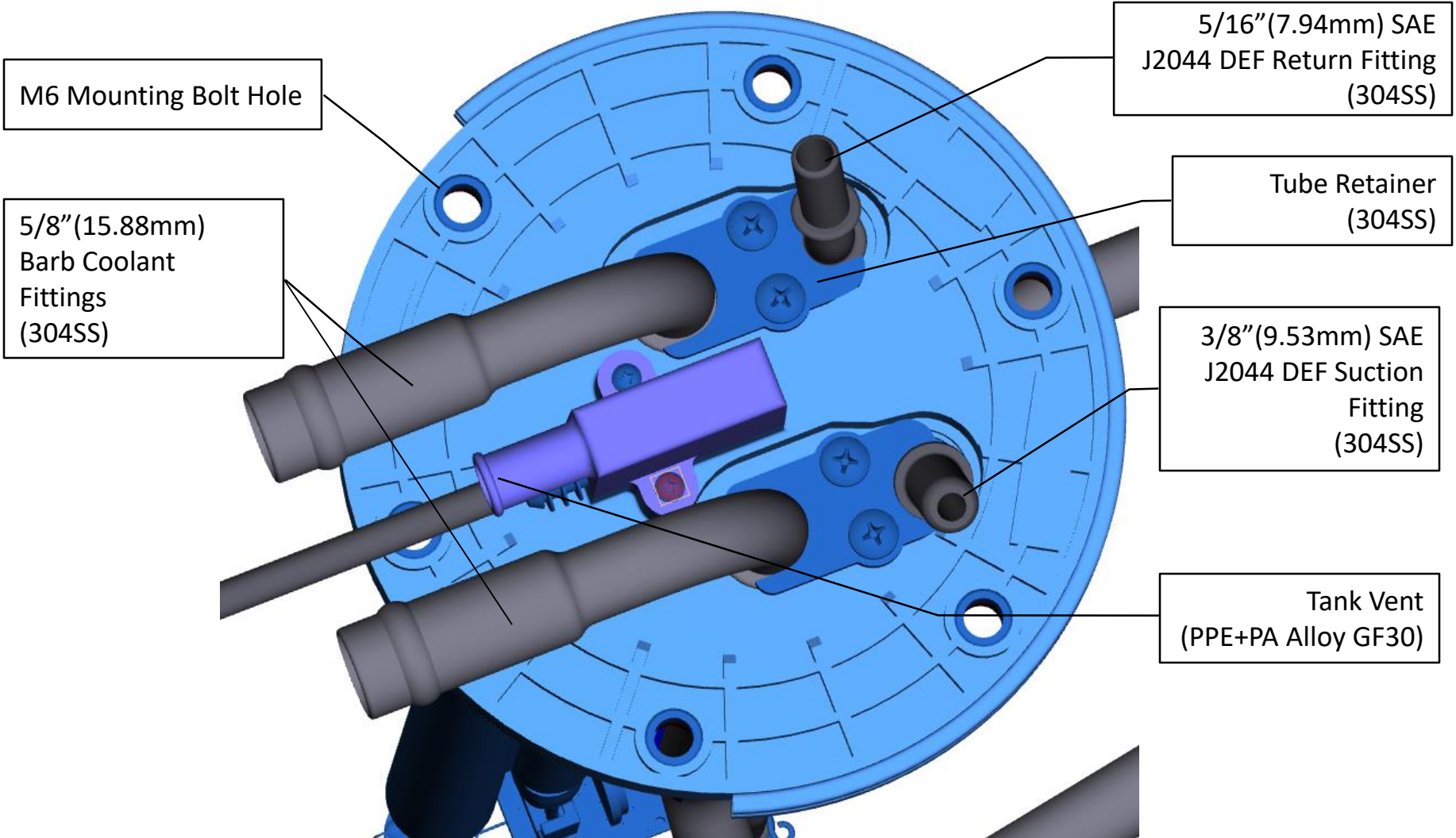
\*From Reference plane







# SSI HMITULC Header detail





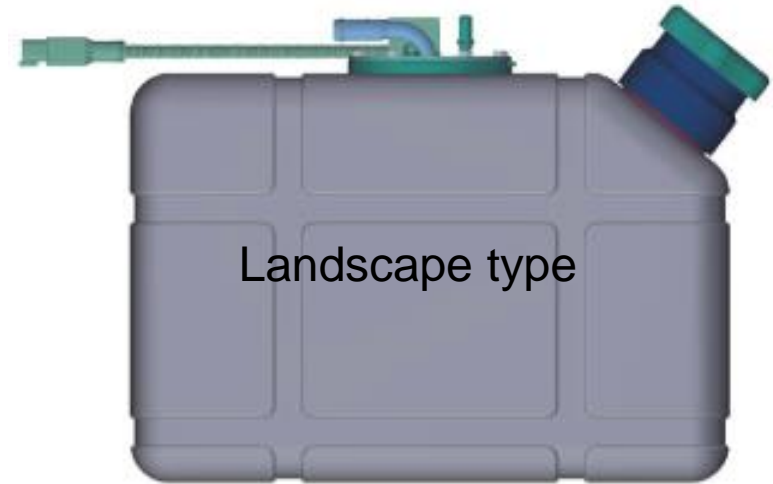
## SSI DEF Tank system Line-up:

- (5 Gallon tank):** Usable DEF
- Portrait type 5.05G(19.1L)
  - Landscape type 4.8G(18.17L)

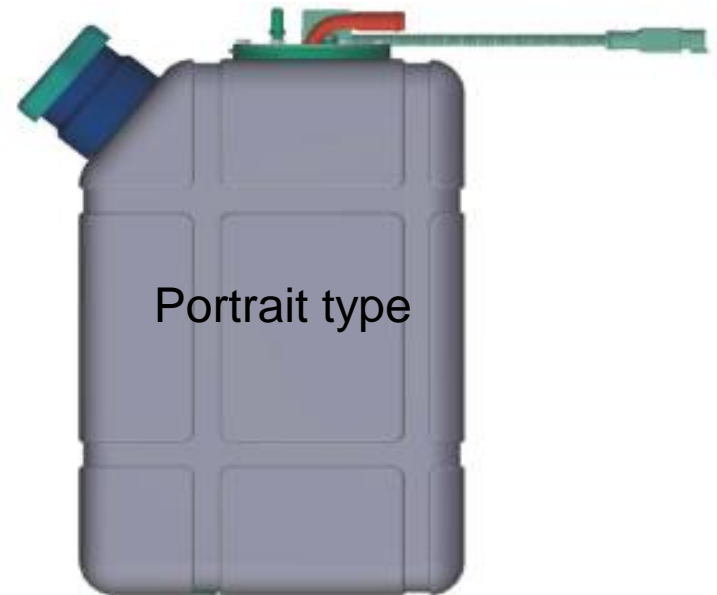
- (10 Gallon tank):** Usable DEF
- Portrait type 9.7G(36.7L)
  - Landscape type 9.45G(35.8L)

- (15 Gallon tank):** Usable DEF
- Portrait type 13.95(52.8L)
  - Landscape type 13.9(52.6L)

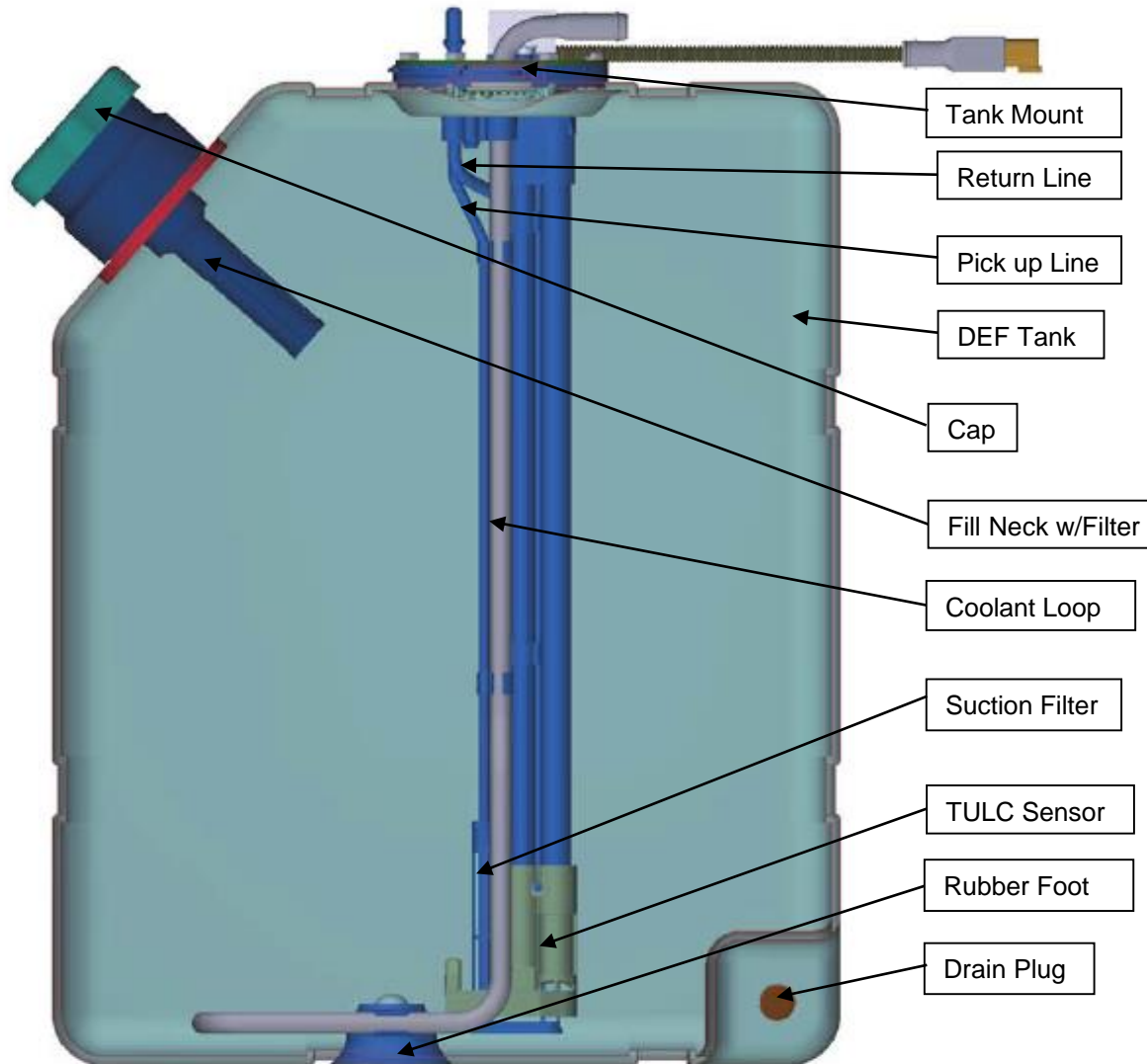
- (30 Gallon tank):** Usable DEF
- Portrait type 35G(132.5L)
  - Landscape type 33.5G(126.8L)



Landscape type



Portrait type





**We appreciate the opportunity to earn  
your business.  
Thank you!**

